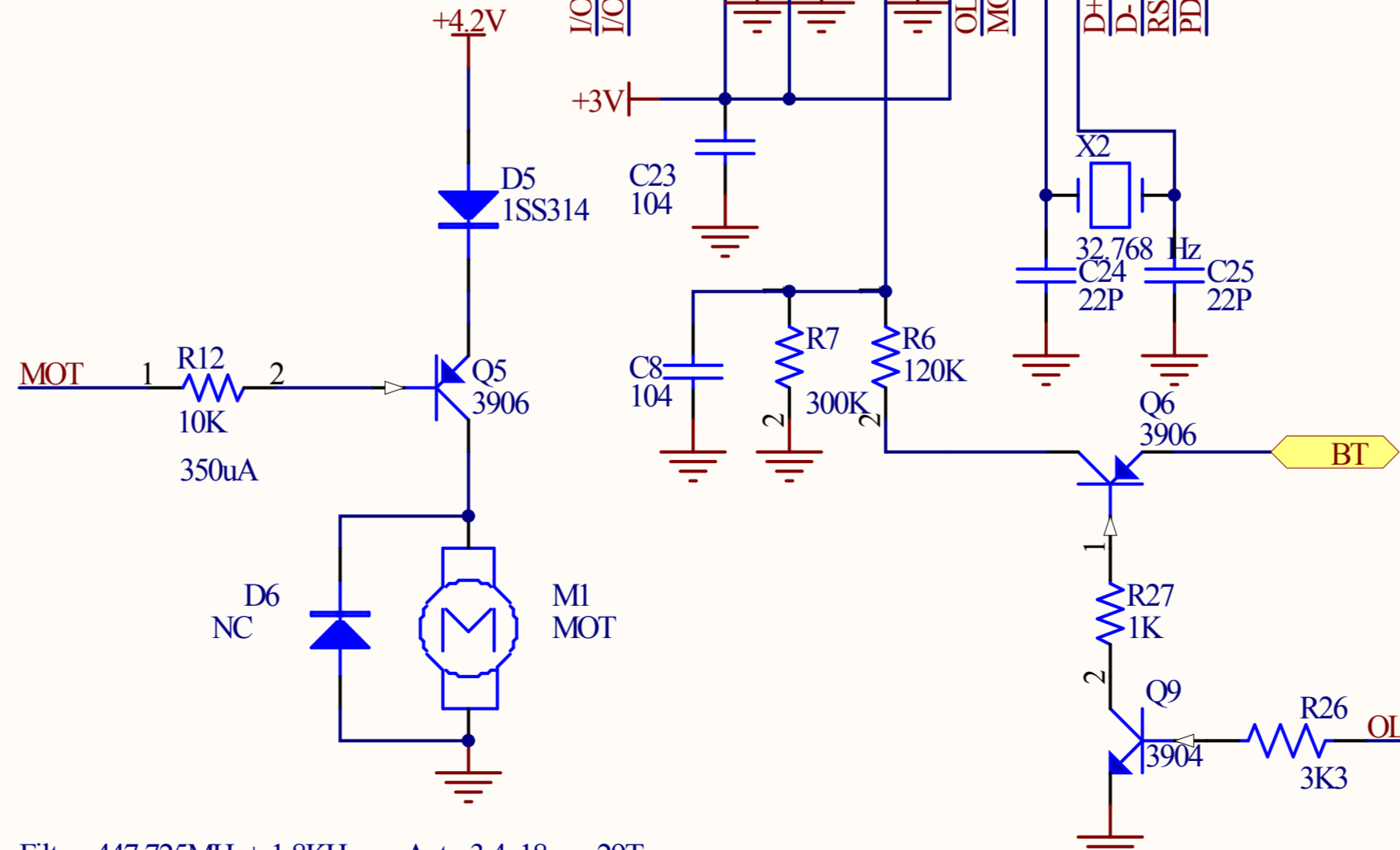
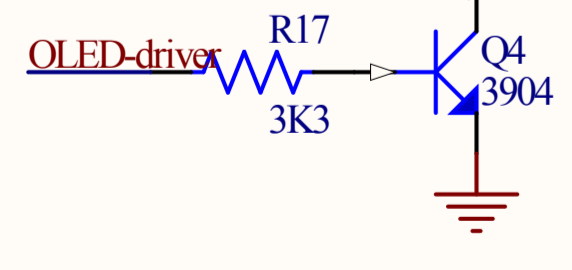
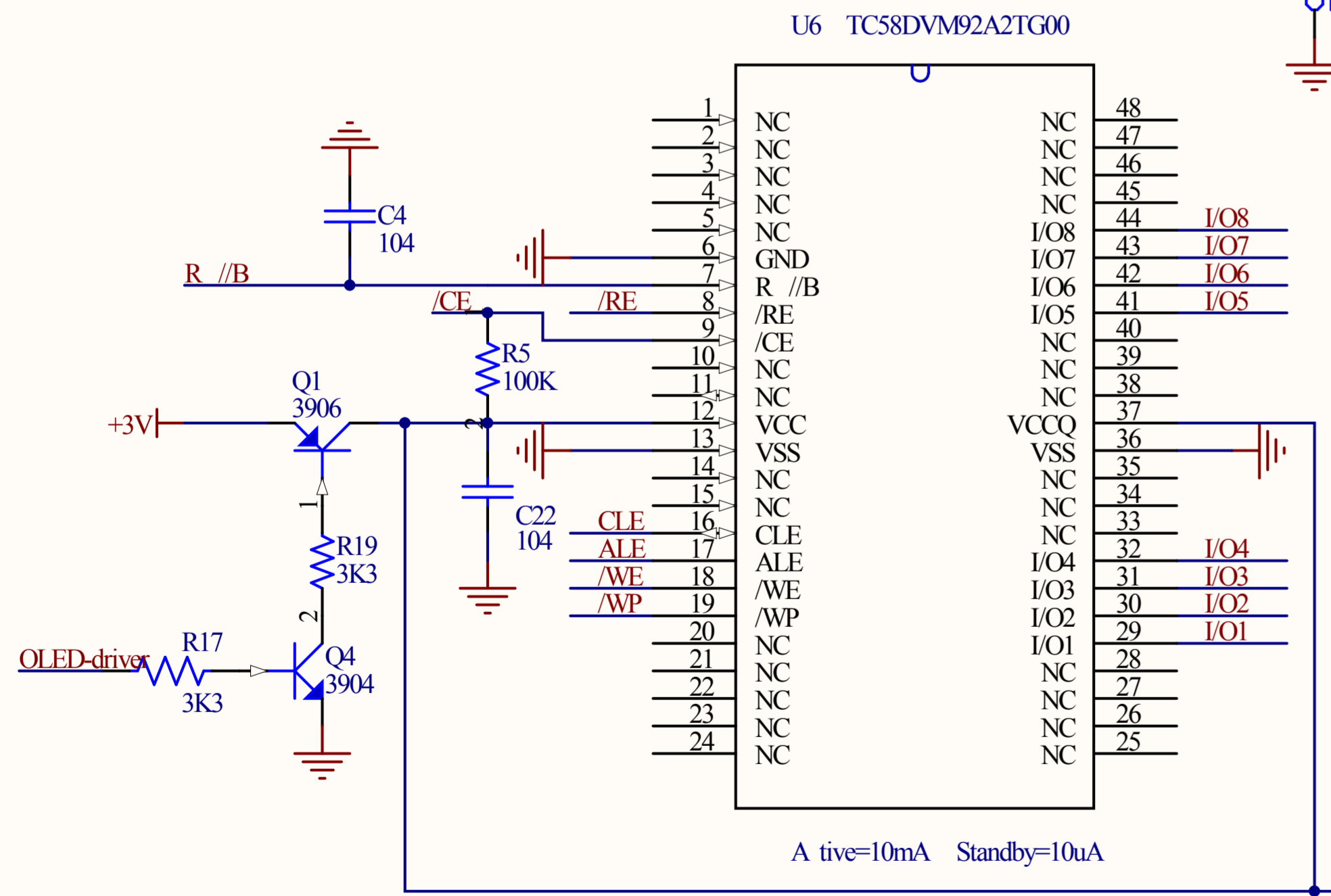
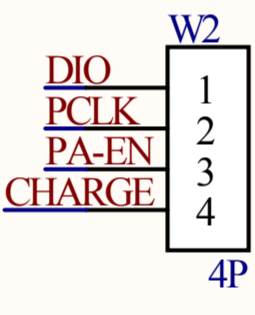
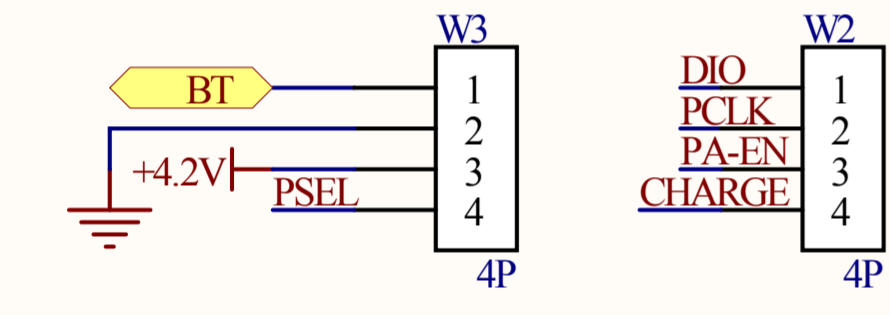
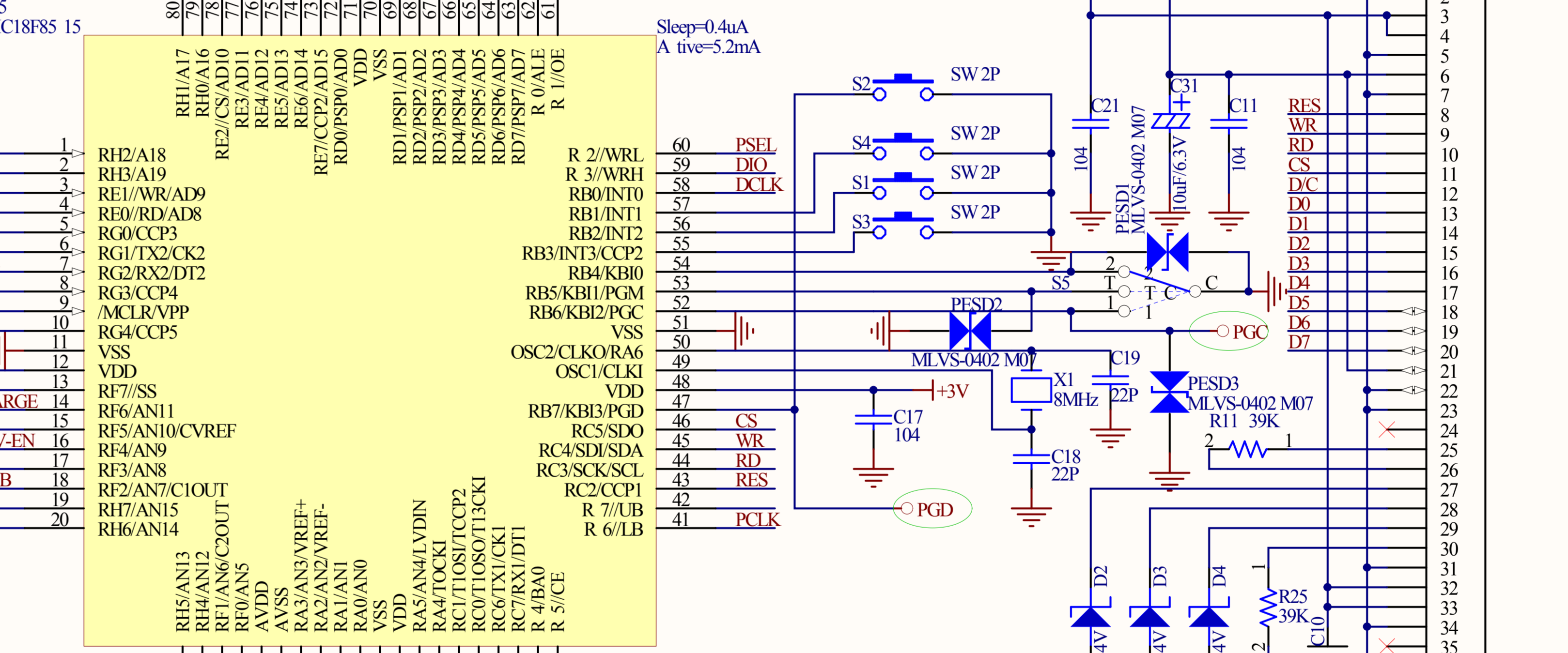
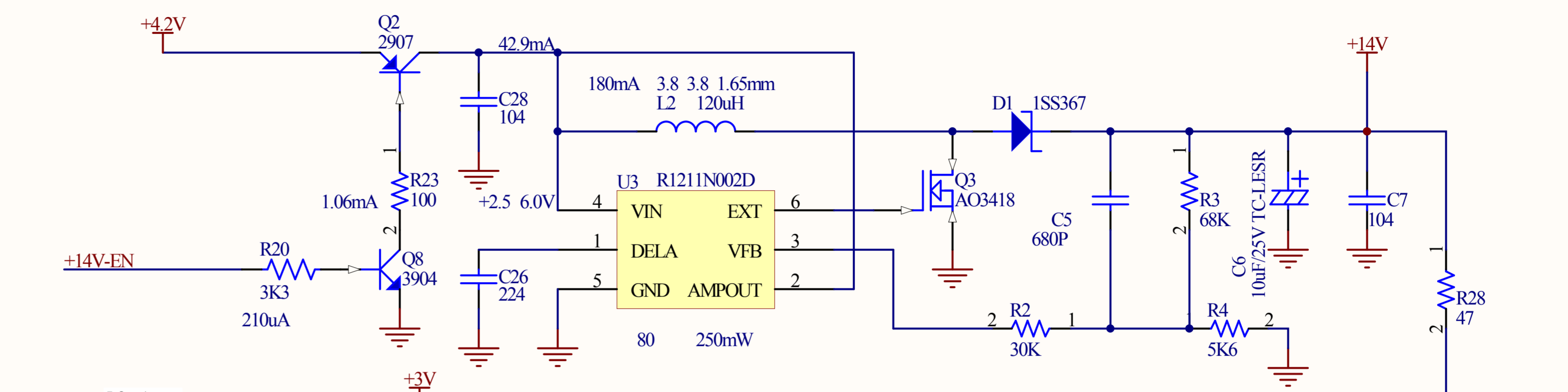
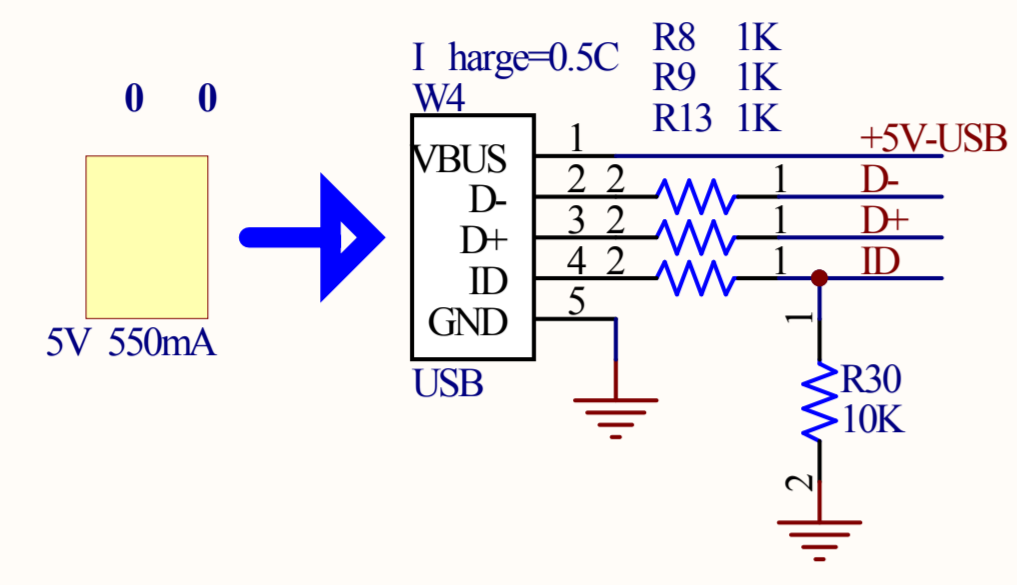


SCH:(060928)TRX970RF-915.SCHDOC  
 PCB:(061009)TRX970-RF-915.PCBDOC  
 915MHZ

Title			
Size	Number	<b>TRX970 RF</b>	Revision
A2			
Date:	2006/12/7	Sheet of	
File:	Z:\...\(060928)TR0.4	HDG: m By:	



PCB: TRX970-1Q.PCBDOC  
SCH: TRX970-1N-SCHDOC

Title		<b>TRX970</b>	
Size	Number	Revision	
B		IN	
Date:	2006/12/5	Sheet of	
File:	D:\... (061202)TRX970-1N.SCHDOC	Drawn By:	