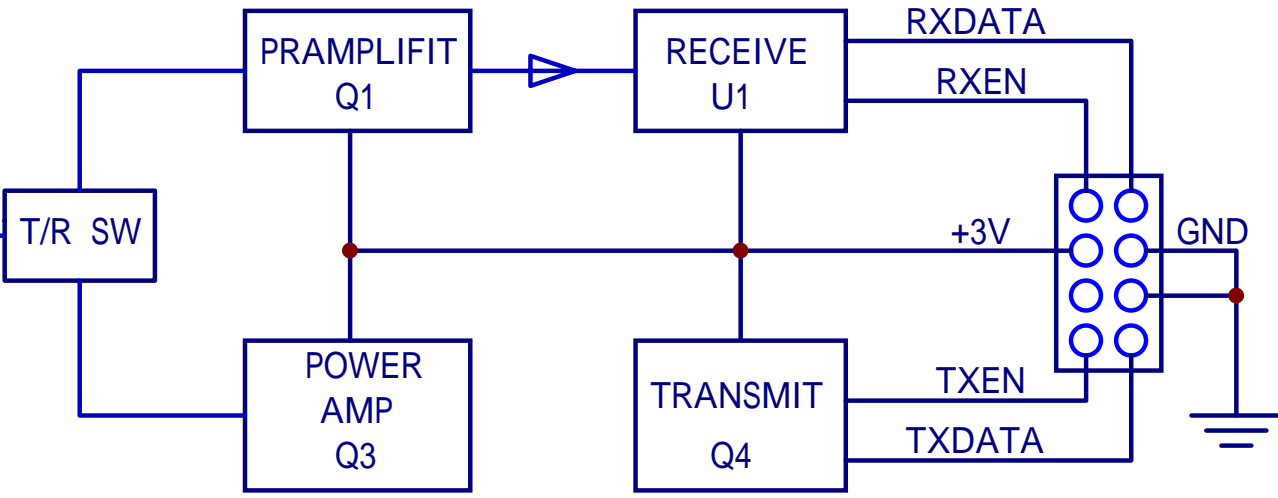


ANT



TITLE	ADVANCE SECURITY INC.	
NUMBER	TRX755DV(BLOCK)	REV 1
DATE	14-AUG-2003	