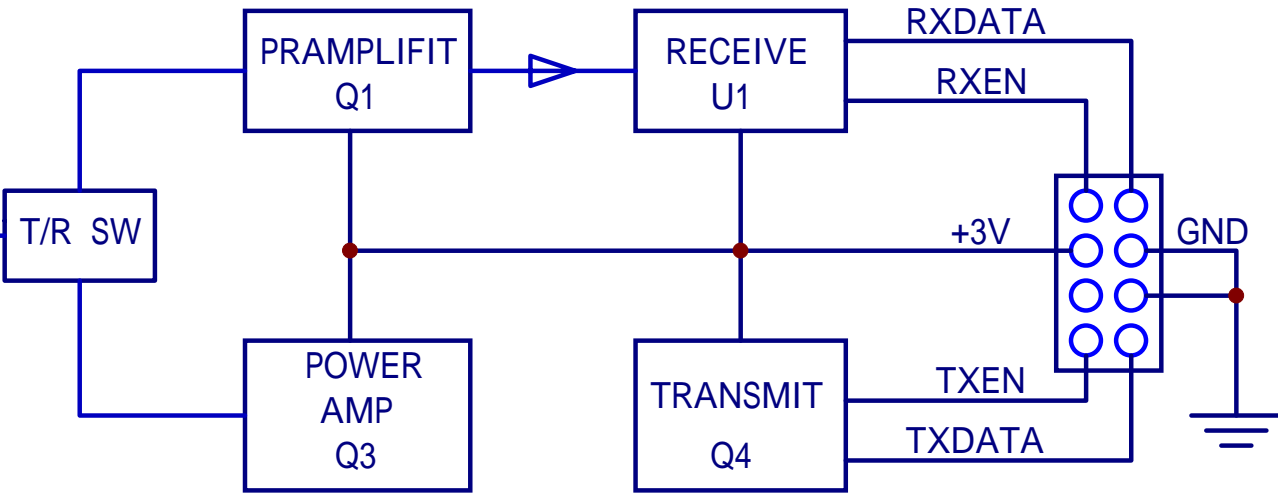


ANT



TITLE	ADVANCE SECURITY INC.	
NUMBER	TRX-755RF(BLOCK)	REV 1
DATE	14-AUG-2003	