

Title		ADVANCE		1	
Size	Number	Orcad B	ALA761 SCHEMATIC	Revision	YAN
Date:	30-May-2003	Sheet of			
File:	E:\DDB\A761-1B.Ddb	Drawn By:			

A761-1B.SCH
A761-1B.PCB

1

2

3

4

D

D

C

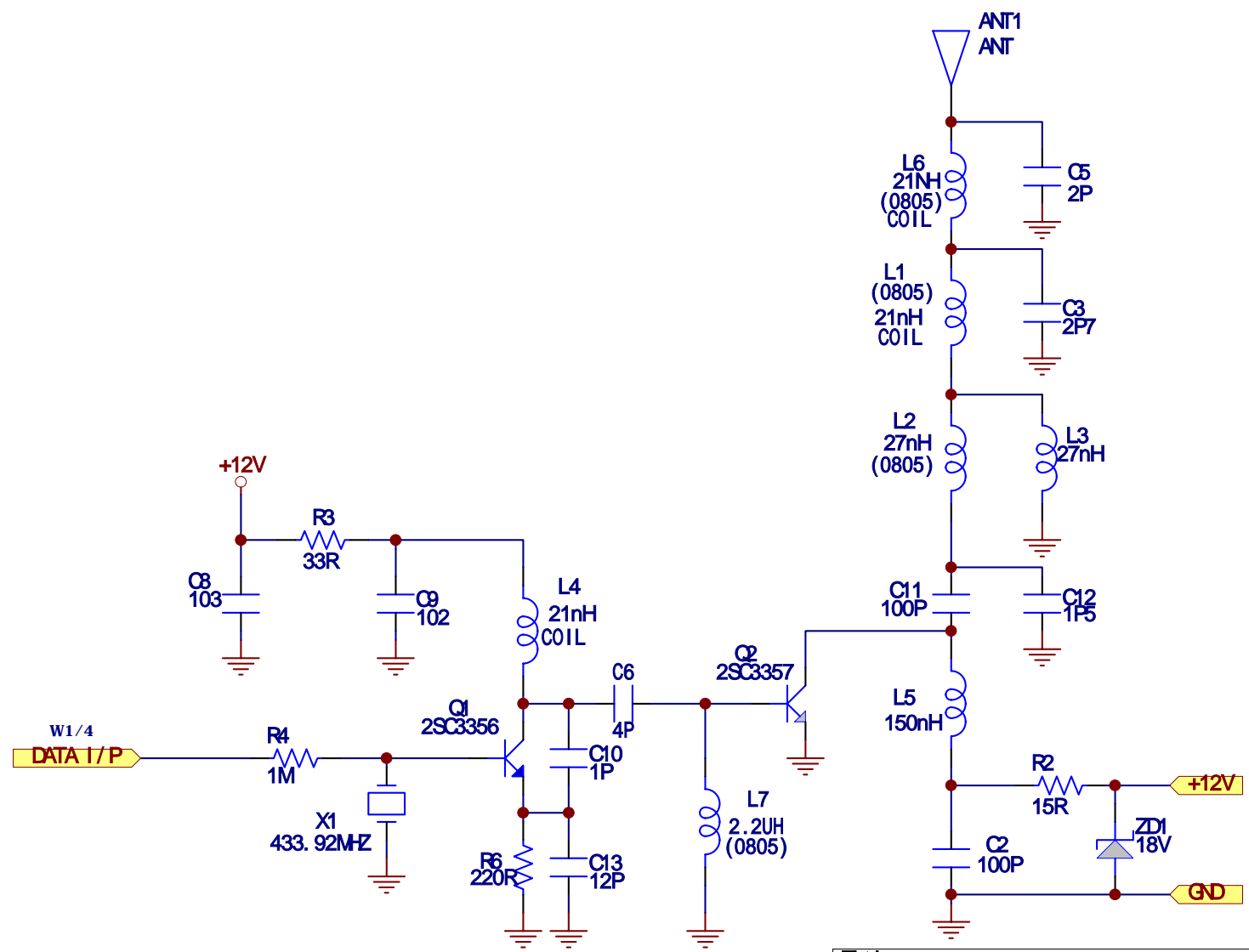
C

B

B

A

A



Title			ADVANCE SCURITY INC.		
Size	Number	TX-100S FCC		Revision	1
A4					
Date:	30-May-2003	Sheet	of		
File:	D:\DDB\TX\TX-100S.cdb	Drawn By:			

1

2

3

4