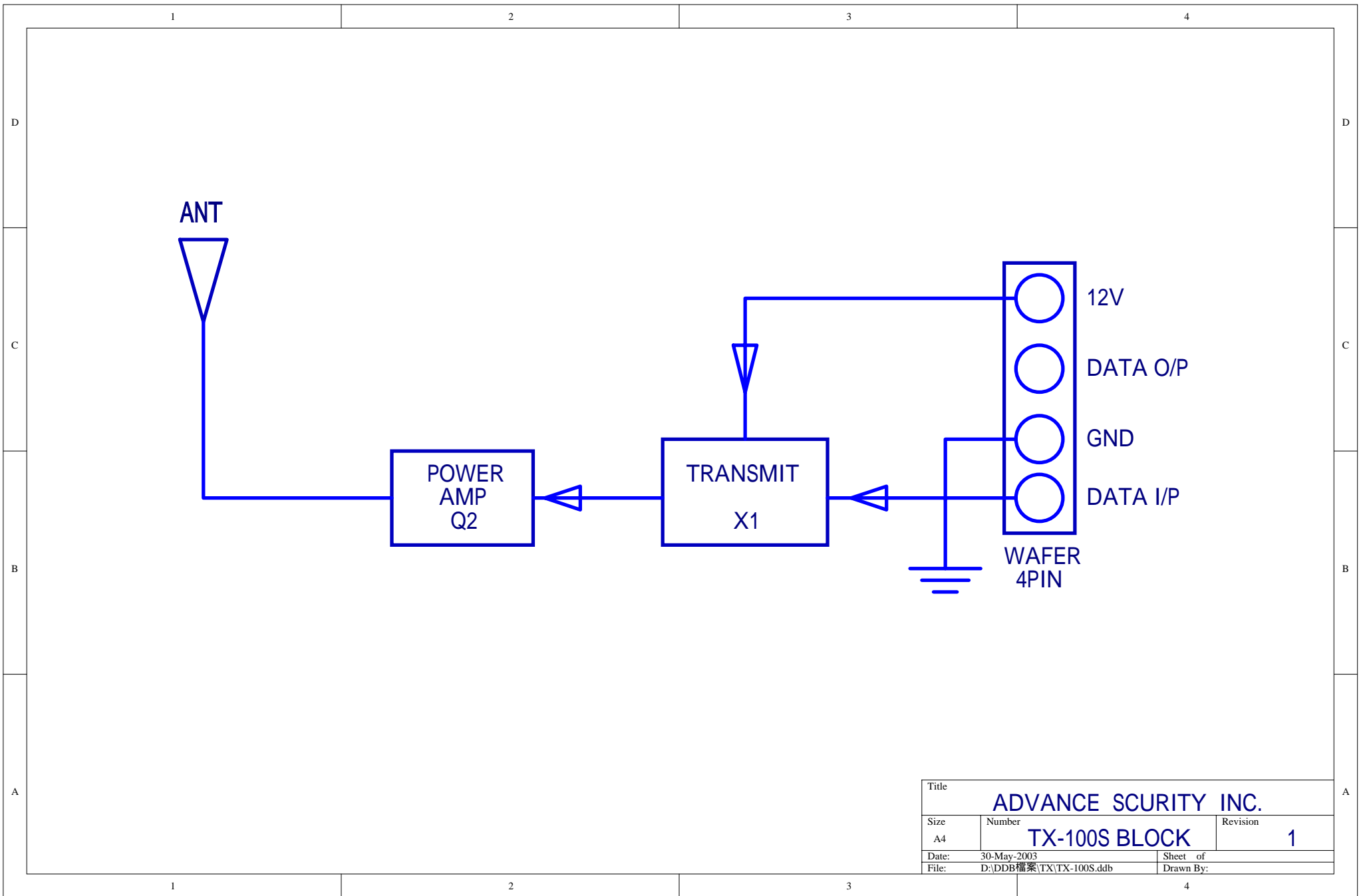


Title			ADVANCE		
Size	Number	Revision		1	
Orcad A	ALA761 BLOCK DIAGRAM				
Date:	30-May-2003	Sheet of			
File:	E:\DDB\A761-1B.Ddb	Drawn By:	YAN		

A761-BD1.SCH



Title			ADVANCE SCURITY INC.		
Size	Number	Revision			
A4	TX-100S BLOCK	1			
Date:	30-May-2003	Sheet of			
File:	D:\DDB\檔案\TX\TX-100S.ddb	Drawn By:			