

1 2 3 4

A

A

B

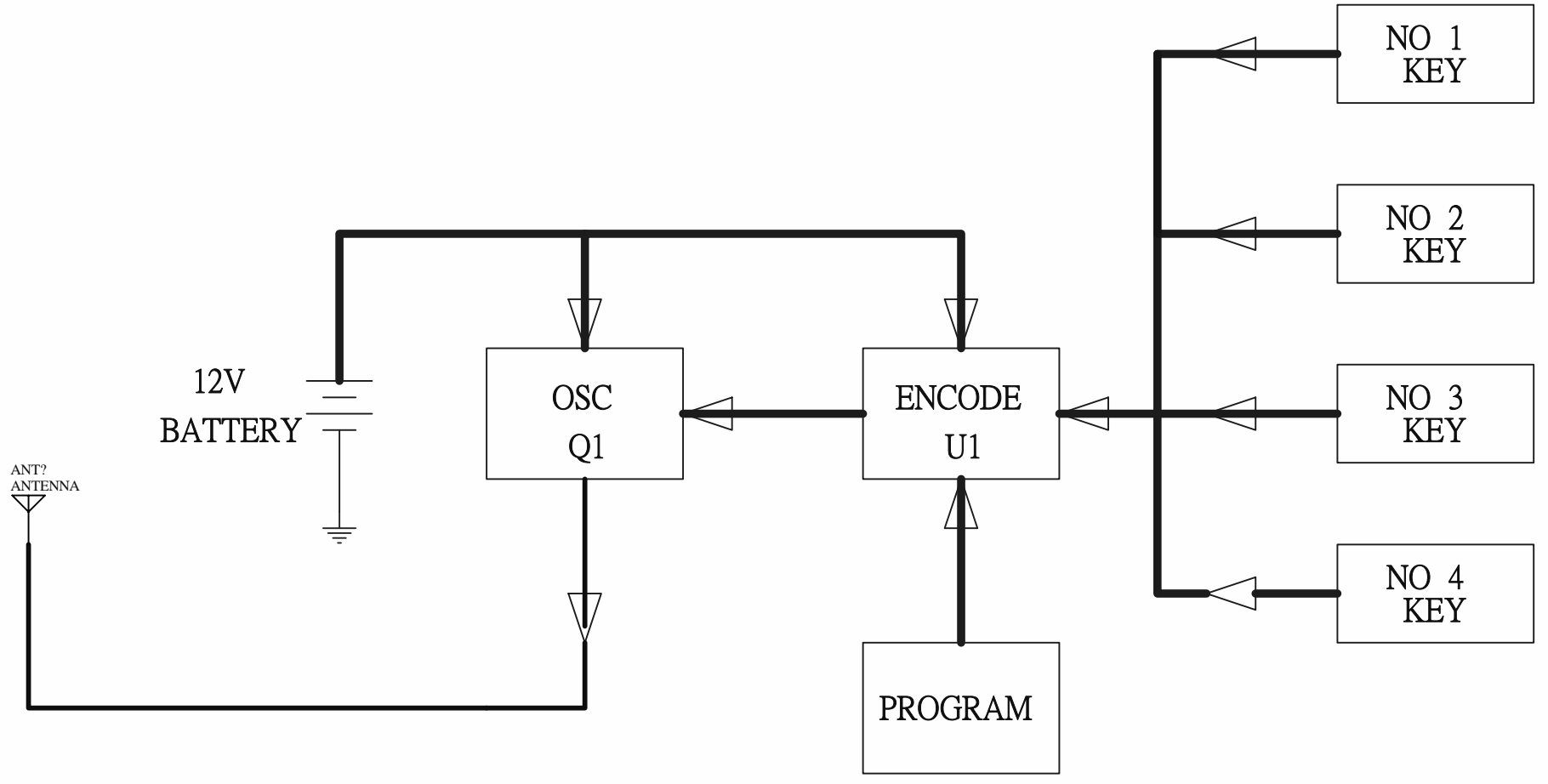
B

C

C

D

D



Title		ADVANCE SECURITY INC.	
Size	Number	Revision	
A4	TX-543 BLOCK	REV	1
Date:	2006/7/21	Sheet of	
File:	D:\DDB\TX-543 BLOCK(FCC).Sch	Drawn By:	

1 2 3 4