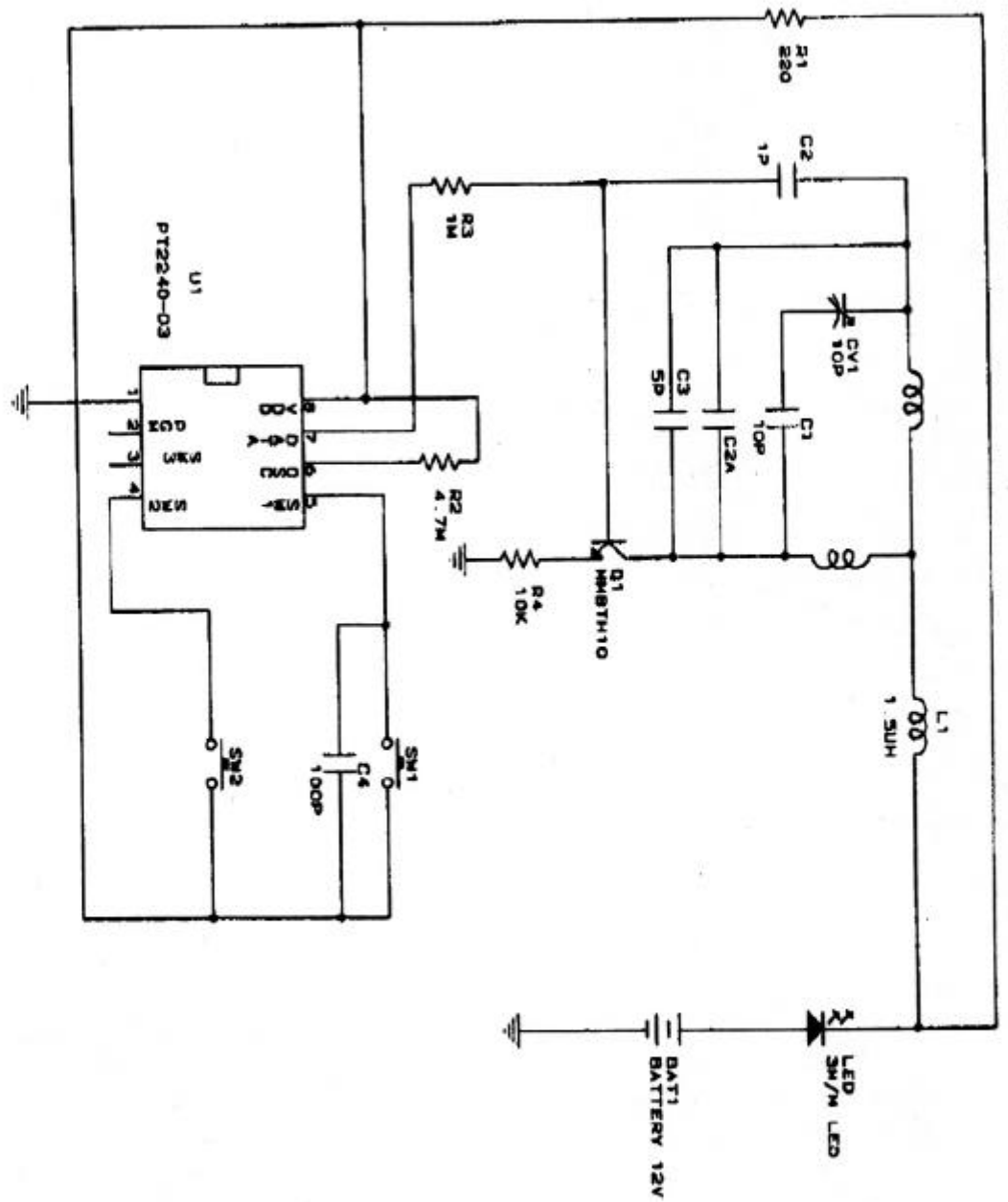


7/4



TKSSE.FCC

Size Document Number	REV
A CS32 2 BUTTON TX SCHEMATIC(PT2240)	1
DATE: FEBRUARY 6, 2002	1 of 1