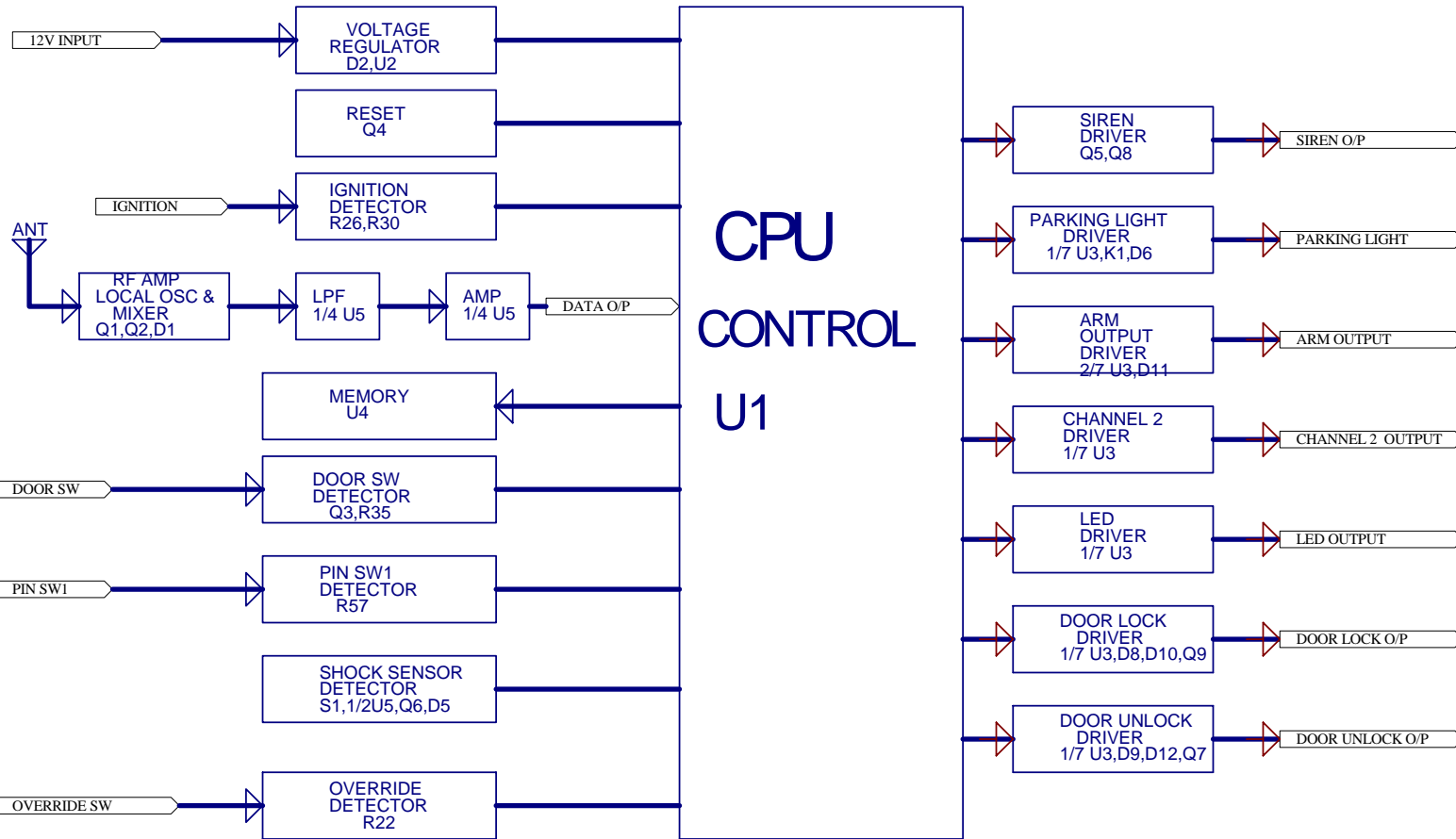


CPU CONTROL U1



RF215-BD1.SCH

Title		
Size ORCAD A	Number RF215 BLOCK SCHEMATIC	Revision 1
Date 2005-9-8	Sheet of	Drawn By : YAN
File E:\DDB\2600SS-1A.DDB		