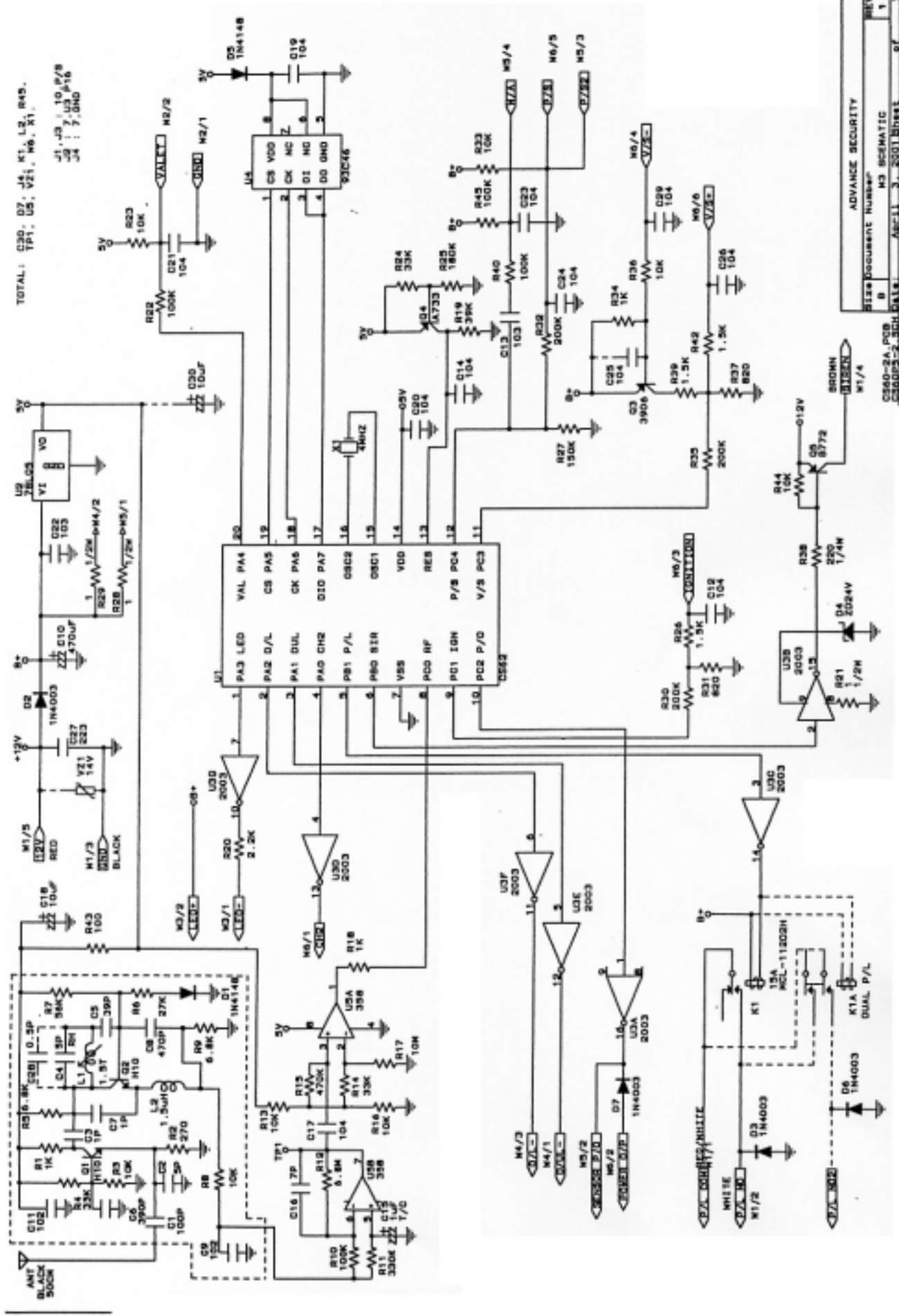


TOTAL: C20, D7, J4, K1, L2, R45,
TP1, U5, V21, W6, X1.

J1, J2 : 10 P/S
J3 : 7, U3 P16
J4 : 7, GND



SIZE	DOCUMENT NUMBER	ADVANCE SECURITY
B	M3 SCHEMATIC	
C540-3A, PCB		
C540P3-2, SCH	REV	REV
AM-11	3	3001
	Sheet	of