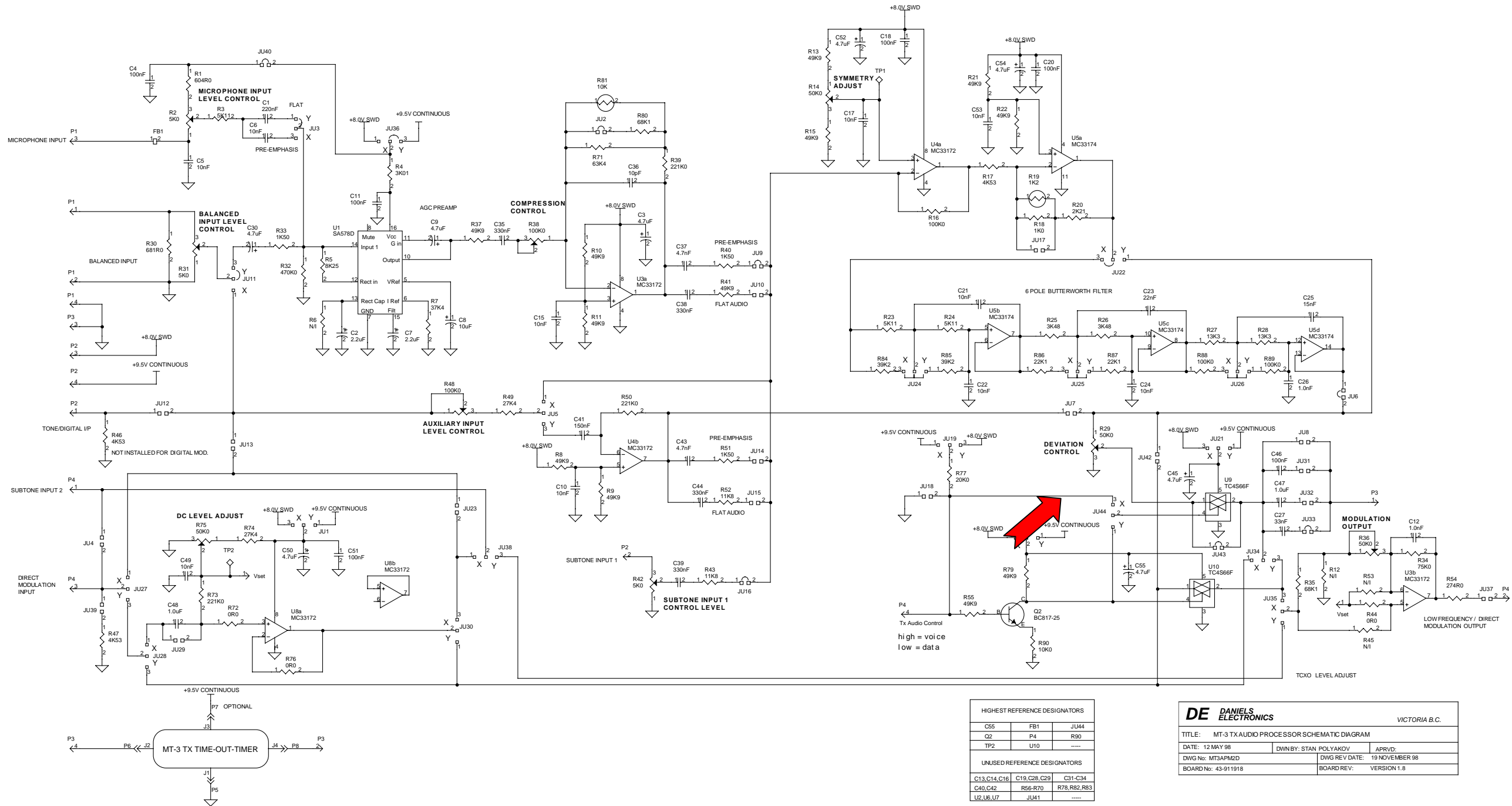


5.5.2 Audio Processor Schematic Diagram



HIGHEST REFERENCE DESIGNATORS		
C55	FB1	JU44
Q2	P4	R90
TP2	U10	-----
UNUSED REFERENCE DESIGNATORS		
C13, C14, C16	C19, C28, C29	C31-C34
C40, C42	R56-R70	R78, R82, R83
U2, U6, U7	JU41	-----

DE DANIELS ELECTRONICS		VICTORIA B.C.
TITLE: MT-3 TX AUDIO PROCESSOR SCHEMATIC DIAGRAM		
DATE: 12 MAY 98	DWN BY: STAN POLYAKOV	APRVD:
DWG No: MTSAPM2D	DWG REV DATE: 19 NOVEMBER 98	
BOARD No: 43-911918	BOARD REV: VERSION 1.8	