

Location: **RF Chamber**

Date: **2005/11/16**

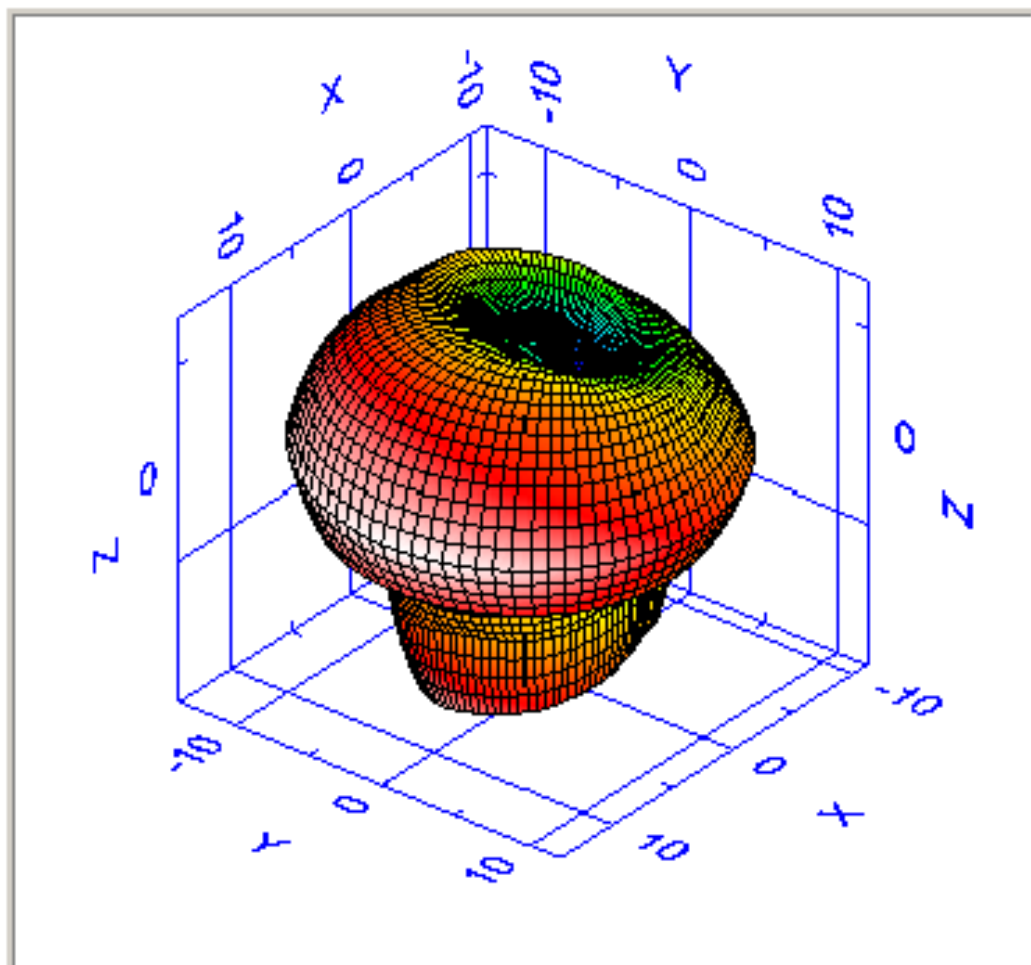
Time: **13:03:13**

Temperatuer (°C): **22.00**

Humidity (%): **65.00**

Approved by:

Total View



Frequency (MHz)

2450.00

TRP (dBm)

-1.43

Efficiency (dB)

-1.43

NHPRP +/- 45 (dBm)

-2.16

NHPRP +/- 30 (dBm)

-2.96

Directivity (dBi)

3.42

Gain (dBi)

1.99

Average Gain (dB)

-1.43

Peak EIRP (dBm)

1.99

Max. Power (dBm)

1.99

Min. Power (dBm)

-12.35

Avg. Power (dBm)

-2.06

Max. / Min. Ratio (dB)

14.34

Max. / Avg. Ratio (dB)

4.06

Min. / Avg. Ratio (dB)

-10.29



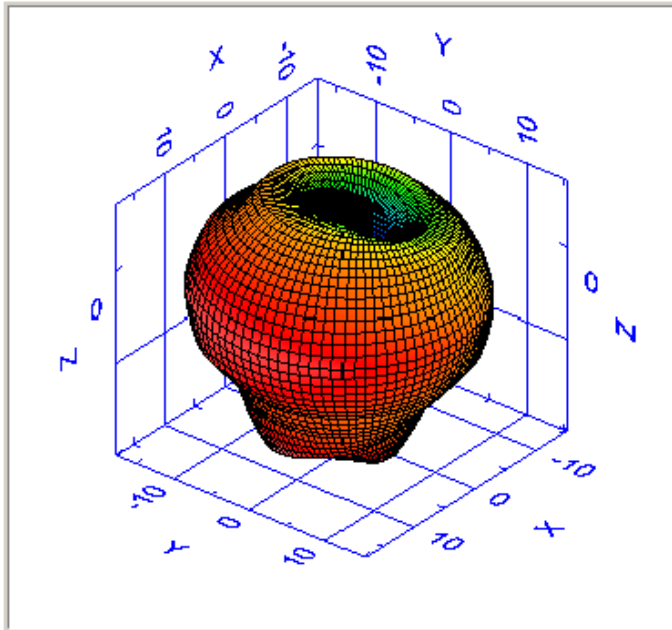
Model : BHM250
 Remark :
 Tested by : shelly

Location: **RF Chamber**
 Temperaturer (°C): **22.00**

Date: **2005/11/16**
 Humidity (%): **65.00**

Time: **11:50:36**
 Approved by:

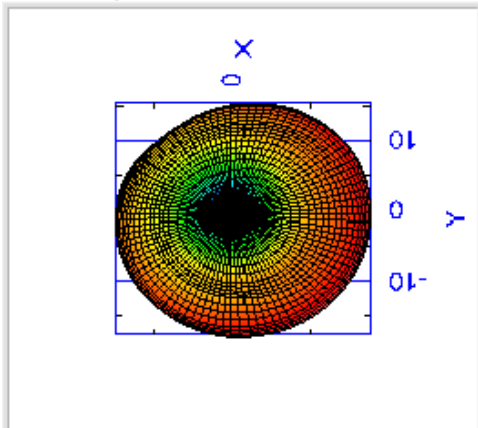
Total View



Frequency (MHz)	2400.00
TRP (dBm)	-2.28
Efficiency (dB)	-2.28
NHPRP +/- 45 (dBm)	-3.08
NHPRP +/- 30 (dBm)	-4.02
Directivity (dBi)	4.44
Gain (dBi)	2.16
Average Gain (dB)	-2.28
Peak EIRP (dBm)	2.16
Max. Power (dBm)	2.16
Min. Power (dBm)	-17.44
Avg. Power (dBm)	-2.85
Max. / Min. Ratio (dB)	19.6
Max. / Avg. Ratio (dB)	5.01
Min. / Avg. Ratio (dB)	-14.59

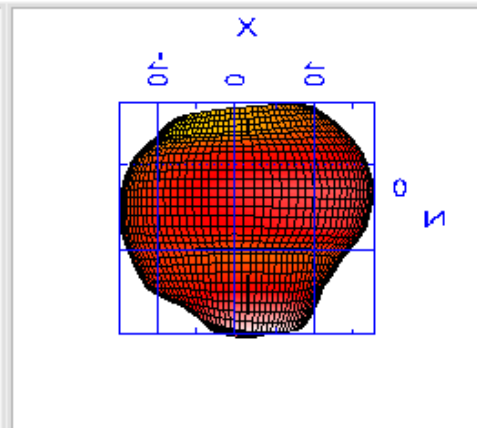
Total , Top View

Azimuth = 0.0
 Elevation = 0.0
 Roll = 0.0



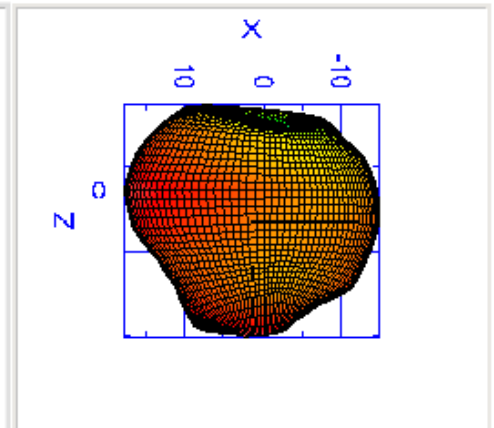
Total , Back Face View

Azimuth = 0.0
 Elevation = 90.0
 Roll = 0.0



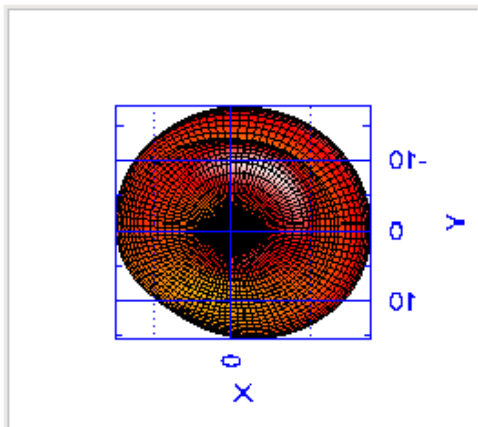
Total , Front Face View

Azimuth = 90.0
 Elevation = -90.0
 Roll = -90.0



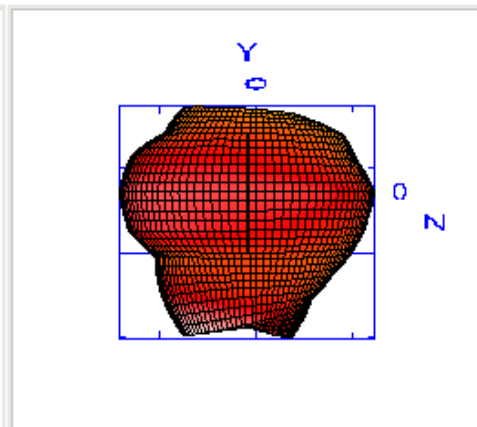
Total , Bottom View

Azimuth = 0.0
 Elevation = 180.0
 Roll = 0.0



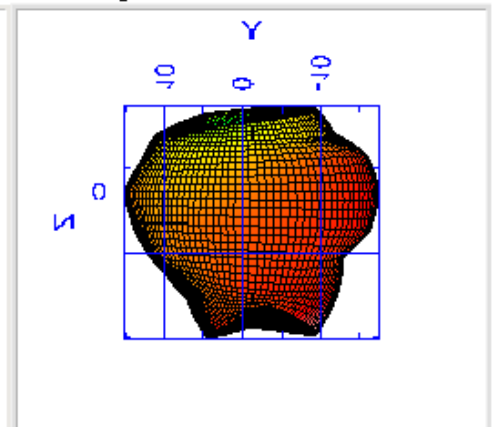
Total , Left Side View

Azimuth = 90.0
 Elevation = 0.0
 Roll = 90.0



Total , Right Side View

Azimuth = -90.0
 Elevation = 0.0
 Roll = 90.0





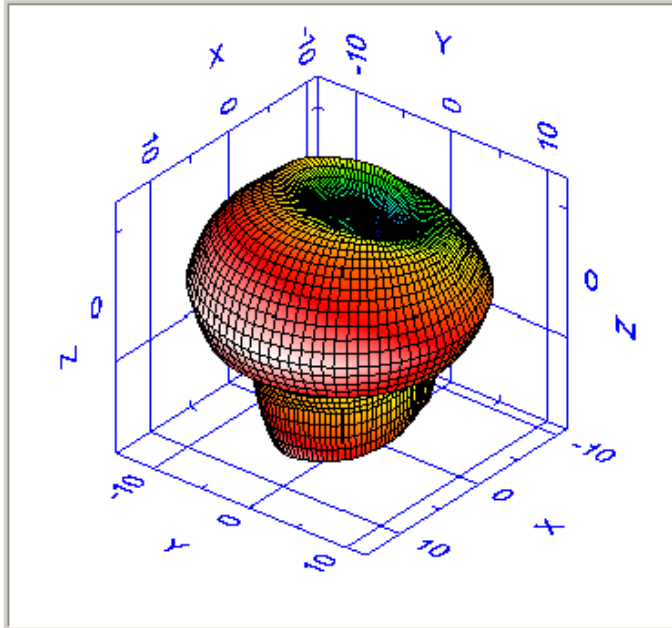
Model : BHM250
 Remark : BHM250 2450
 Tested by : shelly

Location: **RF Chamber**
 Temperaturer (°C): **22.00**

Date: **2005/11/16**
 Humidity (%): **65.00**

Time: **13:03:13**
 Approved by:

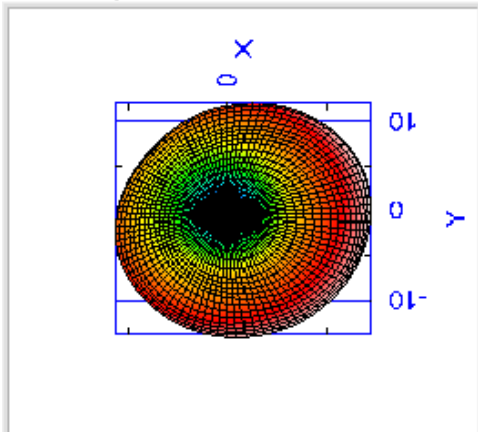
Total View



Frequency (MHz)	2450.00
TRP (dBm)	-1.43
Efficiency (dB)	-1.43
NHPRP +/- 45 (dBm)	-2.16
NHPRP +/- 30 (dBm)	-2.96
Directivity (dBi)	3.42
Gain (dBi)	1.99
Average Gain (dB)	-1.43
Peak EIRP (dBm)	1.99
Max. Power (dBm)	1.99
Min. Power (dBm)	-12.35
Avg. Power (dBm)	-2.06
Max. / Min. Ratio (dB)	14.34
Max. / Avg. Ratio (dB)	4.06
Min. / Avg. Ratio (dB)	-10.29

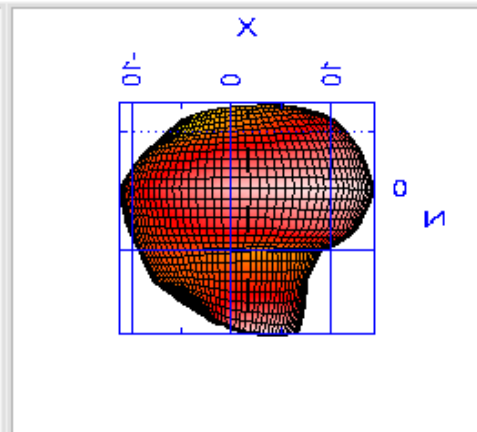
Total , Top View

Azimuth = 0.0
 Elevation = 0.0
 Roll = 0.0



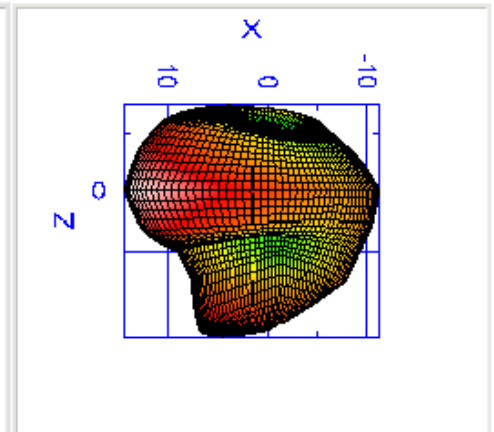
Total , Back Face View

Azimuth = 0.0
 Elevation = 90.0
 Roll = 0.0



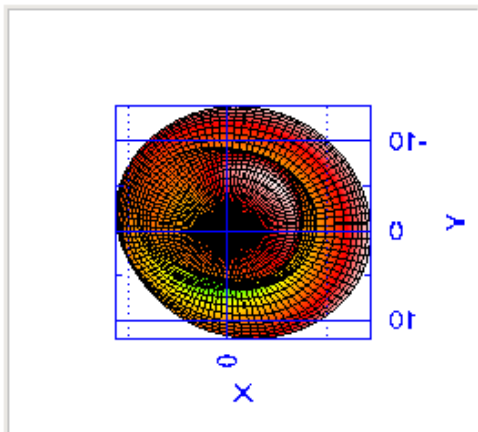
Total , Front Face View

Azimuth = 90.0
 Elevation = -90.0
 Roll = -90.0



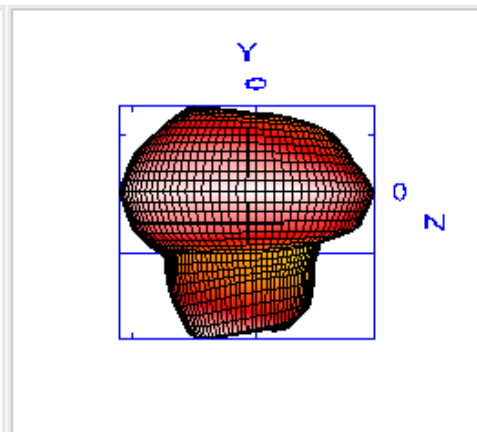
Total , Bottom View

Azimuth = 0.0
 Elevation = 180.0
 Roll = 0.0



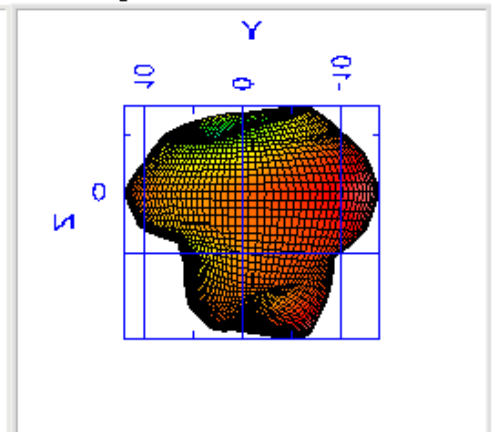
Total , Left Side View

Azimuth = 90.0
 Elevation = 0.0
 Roll = 90.0



Total , Right Side View

Azimuth = -90.0
 Elevation = 0.0
 Roll = 90.0





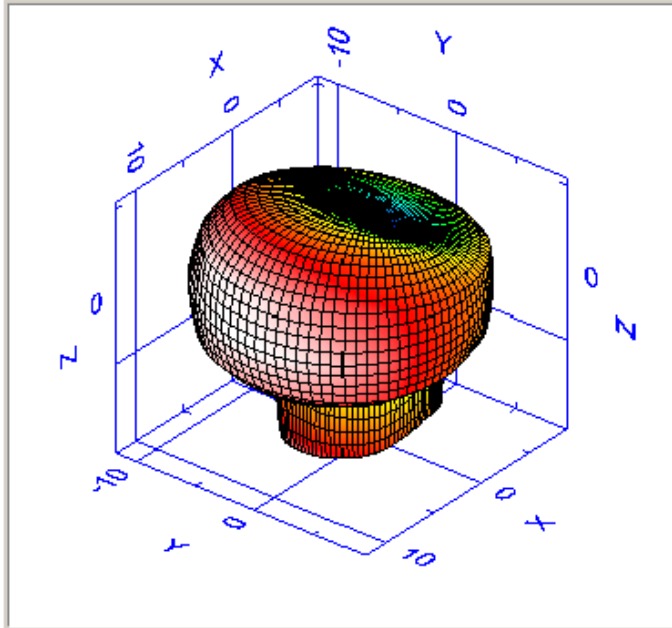
Model : BHM250
 Remark : BHM250 2500
 Tested by : shelly

Location: **RF Chamber**
 Temperaturer (°C): **22.00**

Date: **2005/11/16**
 Humidity (%): **65.00**

Time: **13:22:19**
 Approved by:

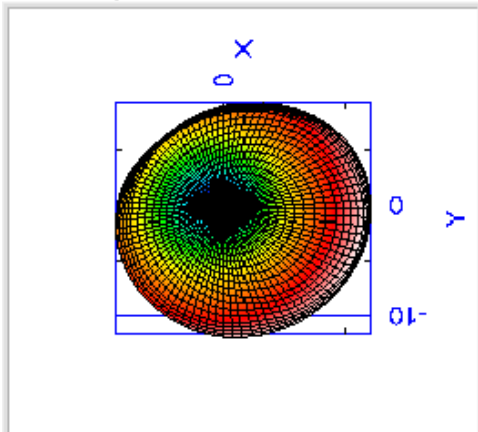
Total View



Frequency (MHz)	2500.00
TRP (dBm)	-1.49
Efficiency (dB)	-1.49
NHPRP +/- 45 (dBm)	-2.23
NHPRP +/- 30 (dBm)	-2.9
Directivity (dBi)	3.03
Gain (dBi)	1.54
Average Gain (dB)	-1.49
Peak EIRP (dBm)	1.54
Max. Power (dBm)	1.54
Min. Power (dBm)	-10.53
Avg. Power (dBm)	-2.12
Max. / Min. Ratio (dB)	12.07
Max. / Avg. Ratio (dB)	3.66
Min. / Avg. Ratio (dB)	-8.41

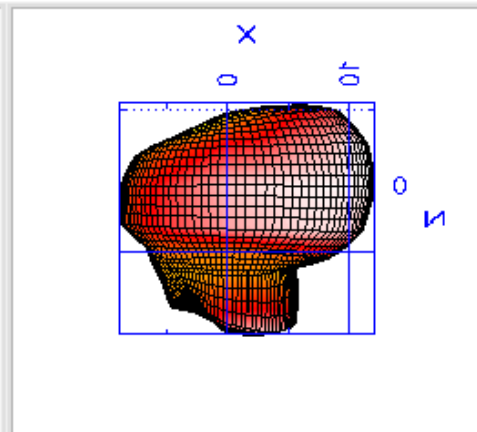
Total , Top View

Azimuth = 0.0
 Elevation = 0.0
 Roll = 0.0



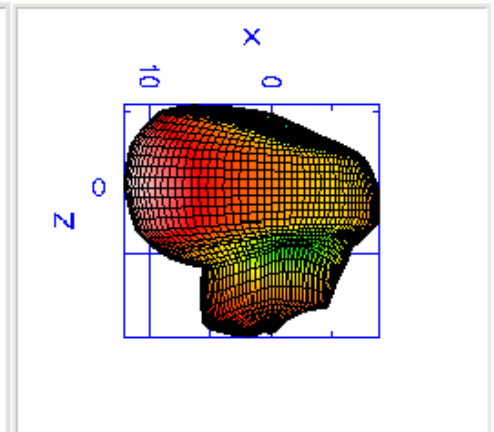
Total , Back Face View

Azimuth = 0.0
 Elevation = 90.0
 Roll = 0.0



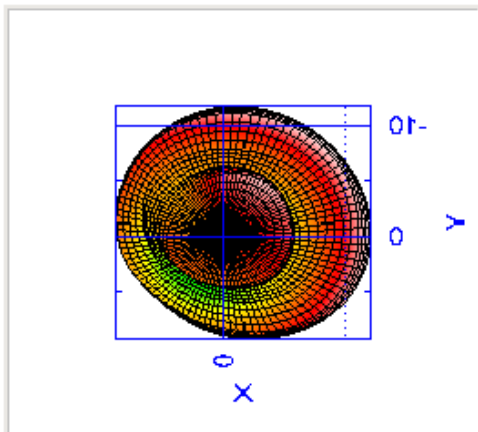
Total , Front Face View

Azimuth = 90.0
 Elevation = -90.0
 Roll = -90.0



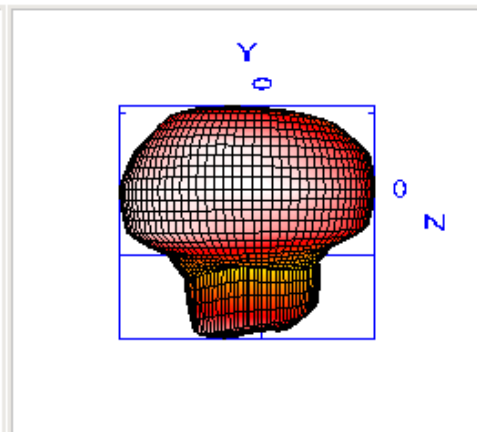
Total , Bottom View

Azimuth = 0.0
 Elevation = 180.0
 Roll = 0.0



Total , Left Side View

Azimuth = 90.0
 Elevation = 0.0
 Roll = 90.0



Total , Right Side View

Azimuth = -90.0
 Elevation = 0.0
 Roll = 90.0

