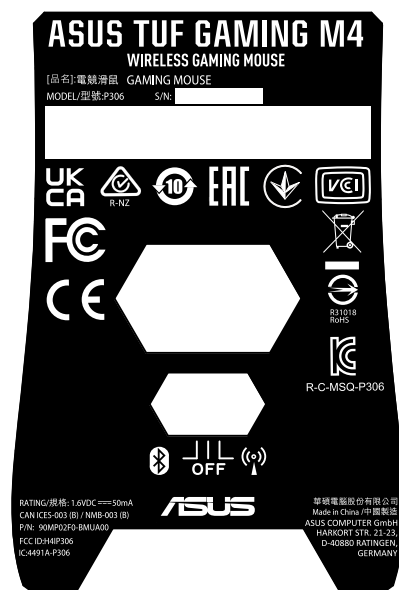
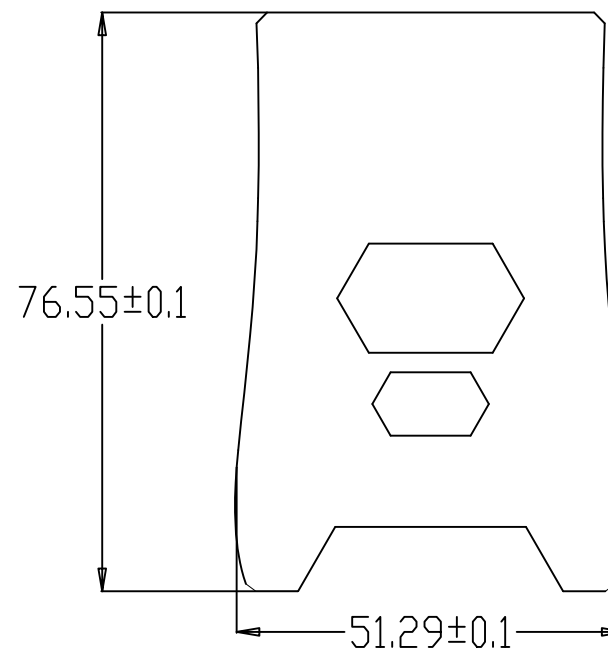


MARK	ISSUE	REVISER	DATE	REV.	DCN NO.
1					

ASUS TUF Gaming M4



layout scale: 1:1



Note:

1. Material is: 铜板纸+哑胶, 成品厚度T=0.15+/-0.01MM
2. Background color: Black
3. Lettering/barcode color: Pantan8403C
4. The part is according to the latest version HS-301 of LITEON.
5. Unit:mm
6. Tolerance: +/-0.1mm
7. The adhesive force: 3.5kgf min(90度拉拔测试规格) or 1.2kgf min(180度剥离测试规格)
8. Rolling style: the letter is positive when pick up the label.
9. Array: single file.
10. (X) FAI: First Article Inspection dimension
 (CT) CTA: Dimensions which are critical to assembly
 (CT) CTQ: Dimensions to be checked during IQC
 (CP) CPK: Dimensions to measure/monitor process capability
 (X.XX): Dimensions in brackets are reference dimensions

SCALE: 1:1	TOLERANCE UNSPECIFIED: .XXX ±0.050 .XX ±0.10 .X ±0.2 ±1 ANGLE ±0.5°	LITEON ® SILITEK ELECTRONICS(DONGGUAN)CO.,LTD	
UNIT: mm		THIRD ANGLE 	TITLE: P306 FCC Label
DRAWN:		SHEET 1 OF 1	
DESIGNER:		DRAWING NO.: 836-27624-00A	
CHECKED:			
APPROVED:			