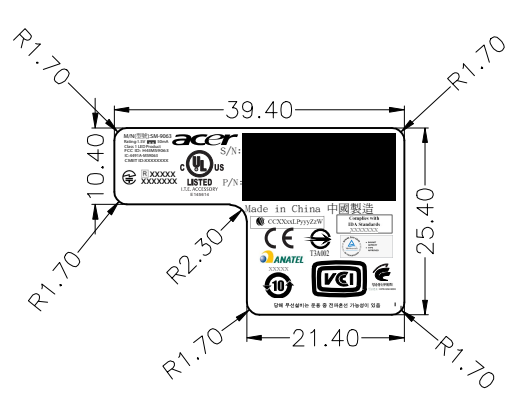
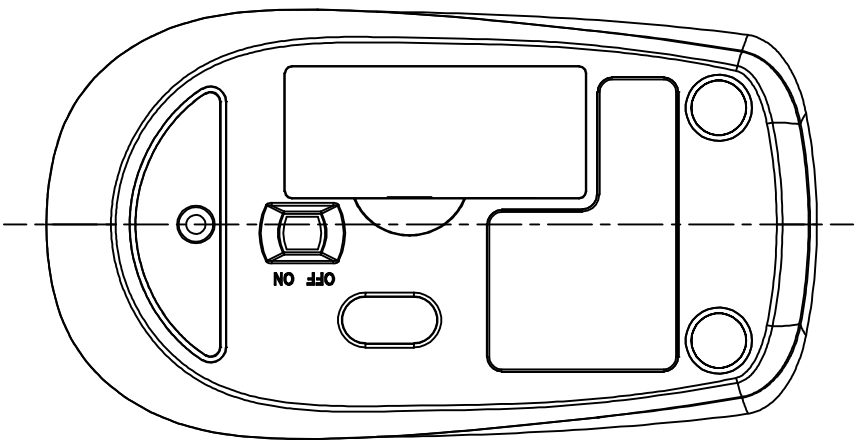



A B C D E F G
 1 2 3 4 5
 SPH-R&D-3001S-03A

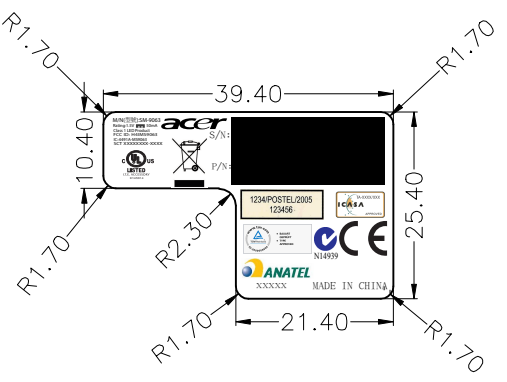
MARK	ISSUE	DATE	REVER
------	-------	------	-------



PART NO	DESCRIPTION	QTY	MATL	TREATING	REMARK
SCALE: 1:1	TOLERANCE : UNSPECIFIED ± 0.05 XXX ± 0.1 UNIT: XX ± 0.15 M/M X ± 0.25 ANGLE ± 0.5	 Sillitek Corporation TITLE: SM9063 label size			
DESIGNER:	DRAWING NO:				
CHECKED:	SHEET OF				
APPROVED:	DRAWING NO:				

A B C D E F
 A3 REV

MARK	ISSUE	DATE	REVER
------	-------	------	-------



PART NO	DESCRIPTION	QTY	MATL	TREATING	REMARK										
<p>SCALE: 1:1</p> <p>TOLERANCE:</p> <table style="font-size: small;"> <tr><td>UNSPECIFIED</td><td>± 0.05</td></tr> <tr><td>XXX</td><td>± 0.1</td></tr> <tr><td>XX</td><td>± 0.15</td></tr> <tr><td>X</td><td>± 0.25</td></tr> <tr><td>ANGLE</td><td>± 0.5</td></tr> </table>						UNSPECIFIED	± 0.05	XXX	± 0.1	XX	± 0.15	X	± 0.25	ANGLE	± 0.5
UNSPECIFIED	± 0.05														
XXX	± 0.1														
XX	± 0.15														
X	± 0.25														
ANGLE	± 0.5														
<p>UNIT: MM</p>		<p style="font-size: large; font-weight: bold;">Sillitek Corporation</p> <p style="font-weight: bold;">SM9063 label size</p>													
<p>DRAWING:</p>															
<p>DESIGNER:</p>															
<p>CHECKED:</p>															
<p>APPROVED:</p>		<p>SHEET OF:</p>		<p>DRAWING NO.:</p>											