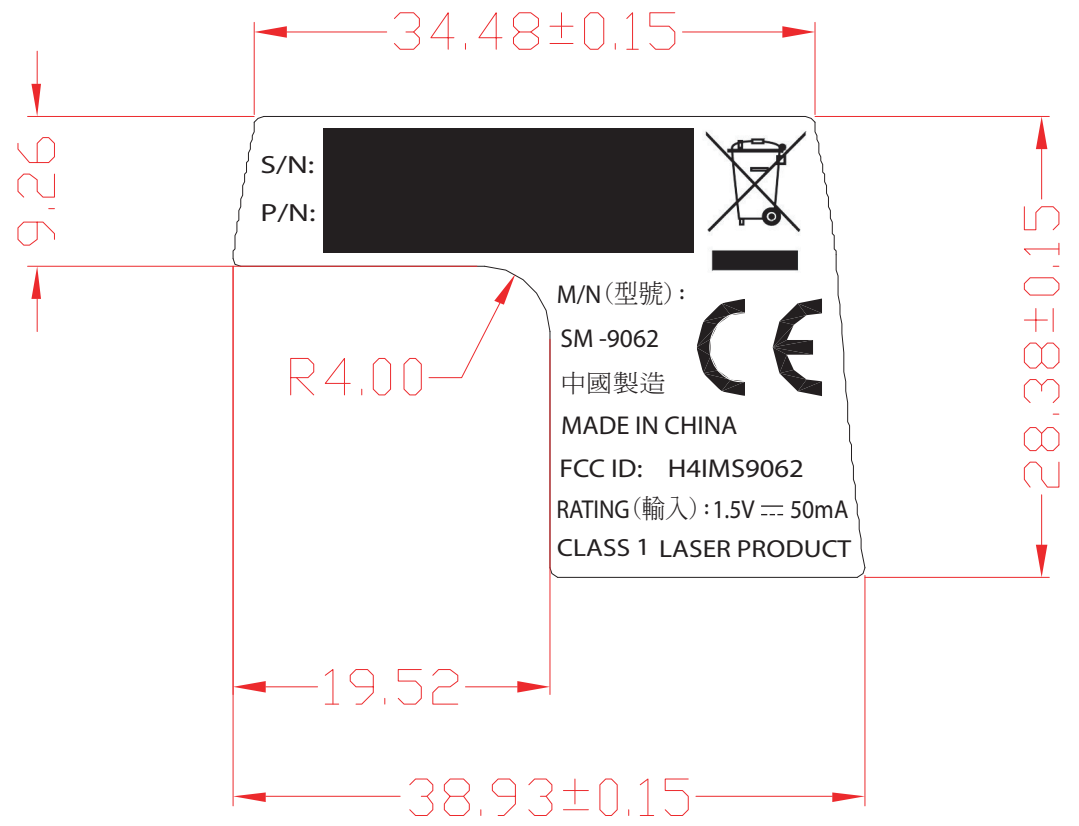


MARK	ISSUE	DATE	REVER
------	-------	------	-------



NOTE:
 1. MATERIAL: PP-SYNTHETIC PAPER, THICKNESS: 0.08mm.
 2. Background and Serial number color: Black.
 3. Text and Serial number background Color: White.
 4. DASH LINE FOR FACTORY SITE PRINTING.
 5. PART NUMBER: 836-0xxxx-00A.

SELECT V	A	B	C	D
~ 5	±0.03	±0.05	±0.08	±0.10
5 ~ 10	±0.05	±0.08	±0.10	±0.15
10 ~ 50	±0.08	±0.10	±0.15	±0.20
50 ~ 100	±0.10	±0.15	±0.20	±0.25
100 ~	±0.10	±0.15	±0.20	±0.25

3:1

PART NO	DESCRIPTION	QTY	MATL	TRETING	REMARK
SCALE: 1:1	TOLERANCE: UNSPECIFIED XXX ± 0.05 XX ± 0.1 X ± 0.15 ANGLE ± 0.5°			TITLE: SM9062-FCC	
UNIT: mm					
DRAWN:				SHEET: DRAWING NO: 836-0xxxx-00A	
DESIGER:					
CHECKED:					
APPROVED:					
			A3	REV	0.2



Label Location