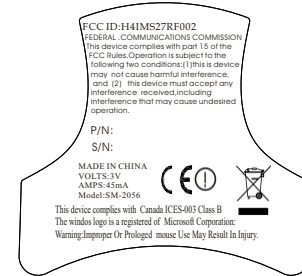
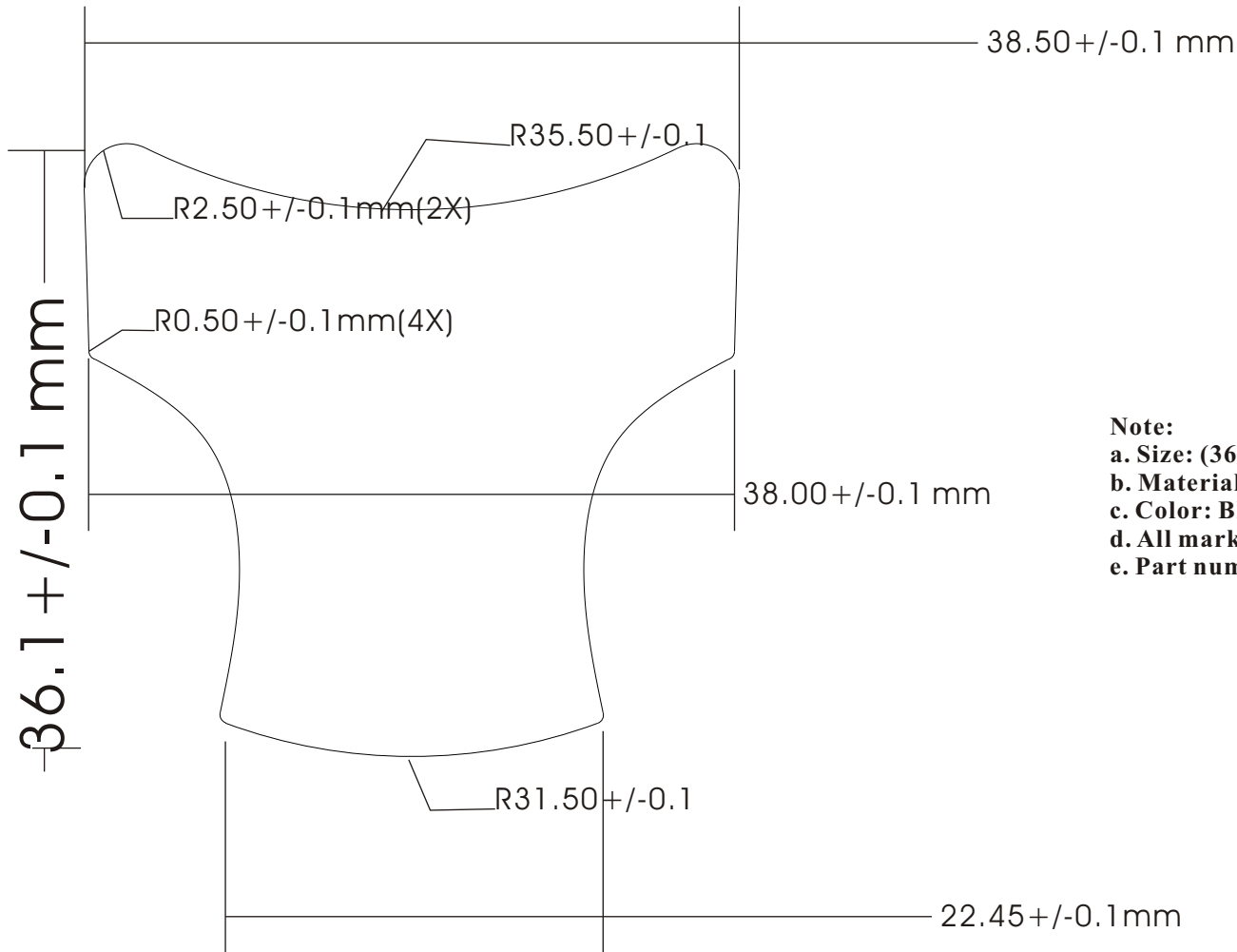


MARK	ISSUE	DATE	REVER
------	-------	------	-------

SPH-R&D-1002S-02A



**Note:**

- a. Size:  $(36.1 \pm 0.10)$ mm \*  $(25.0 \pm 0.10)$ mm**
- b. Material: Paper; Thickness: 0.08mm**
- c. Color: Black font with #H7 of Silitek color background**
- d. All mark shall high than 5mm**
- e. Part number: 836-01555-00A**