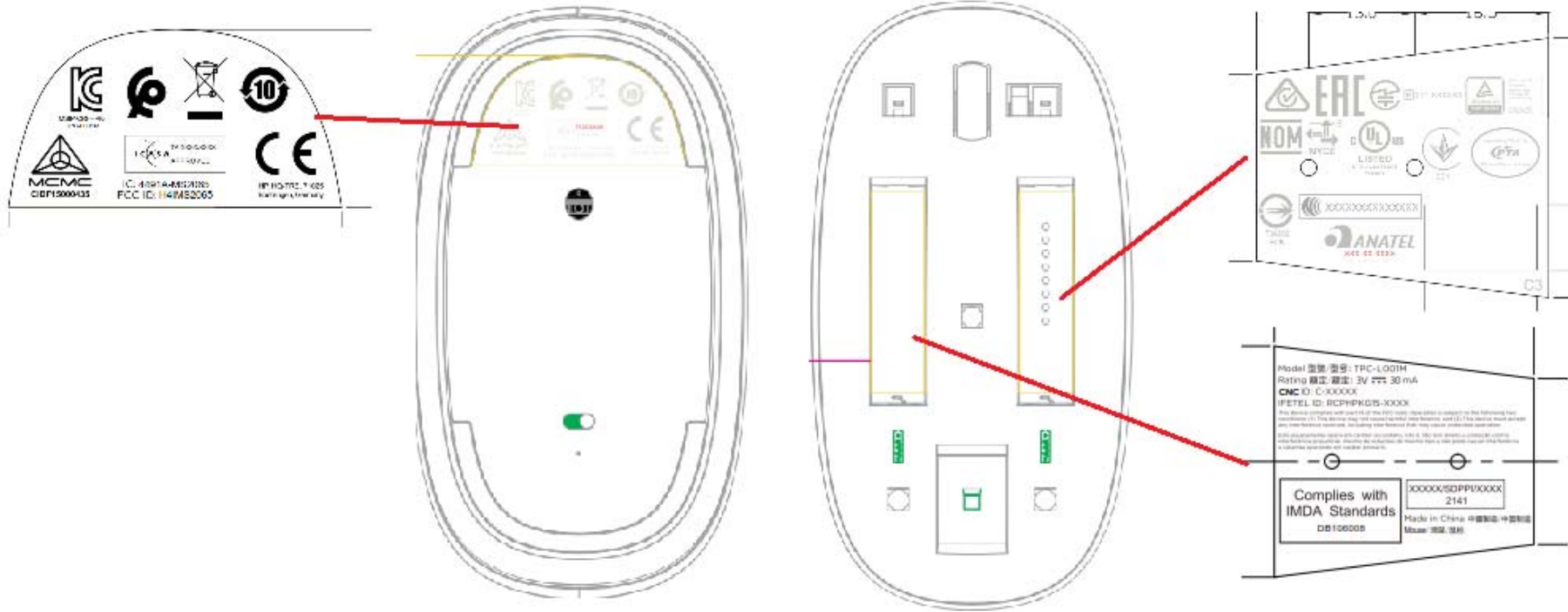
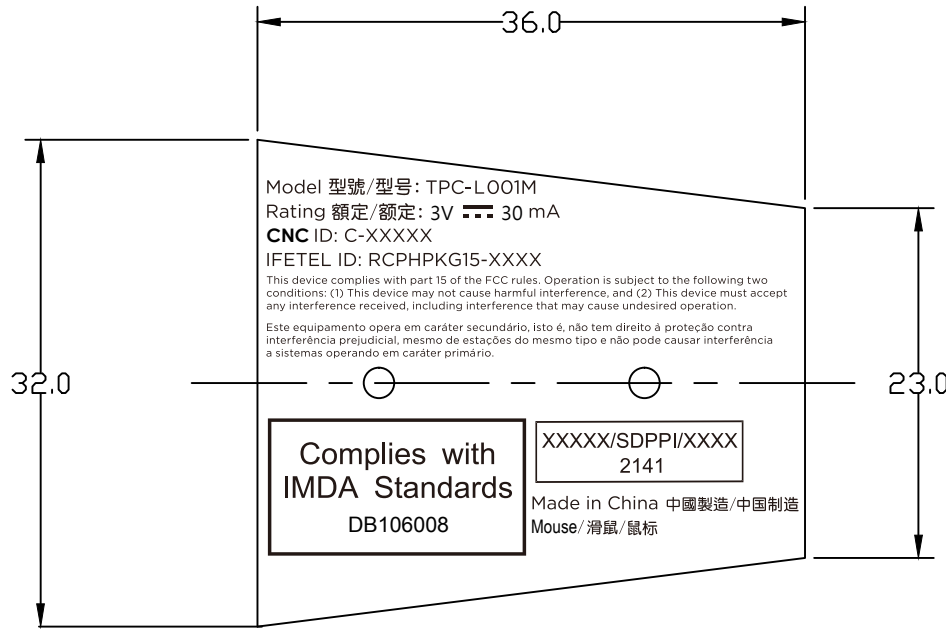


label location



MARK	ISSUE	DATE	REVER	DCN NO.
------	-------	------	-------	---------

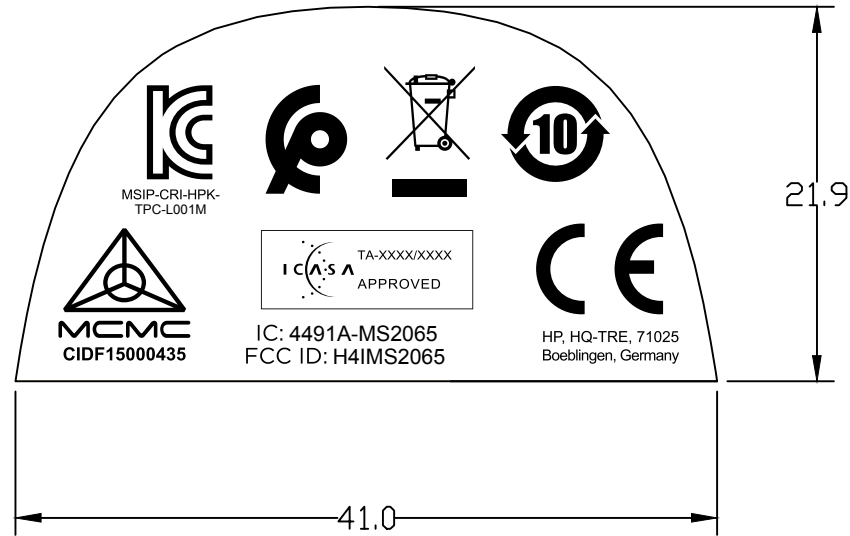


Note:

1. MATERIAL:
- 2.BACKGROUND COLOR: JACK BLACK,SP#1240
3. TEXT&SYMBOLS COLOR: PANTONE COOL GREY 4C.
- 4.THE PRODUCT AND COMPONENT NEED COMPLY WITH HP GSE (GENERAL SPECIFICATION FOR THE ENVIRONMENT) AND HP ROHS 2 COMPLIANCE SPEC BOTH LATEST REVISION.
5. STRIPPING RESISTANCE>=1.2KG@180° OR >=3.5KG@90°.
6. THIS PART MUST COMPLY WITH THE LATEST VERSION"HS-301" OF LITEON.


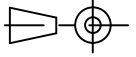
PART NO	DESCRIPTION	QTY	MAT'L	TRETING	REMARK
SCALE: 1:1	TOLERANCE : UNSPECIFIED .XXX ± 0.05 .XX ± 0.1 .X ± 0.15 ± 0.25 ANGLE ± 0.5°	SILITEK ELECTRONICS(DONGGUAN)CO.,LTD DONGGUAN LITE-ON COMPUTER CO., LTD.			
UNIT: mm					
DRAWN:				TITLE: SM2065 FCC Label L	
DESIGER:					
CHECKED:		SHEET 1 OF 1			
APPROVED:		DRAWING NO:			

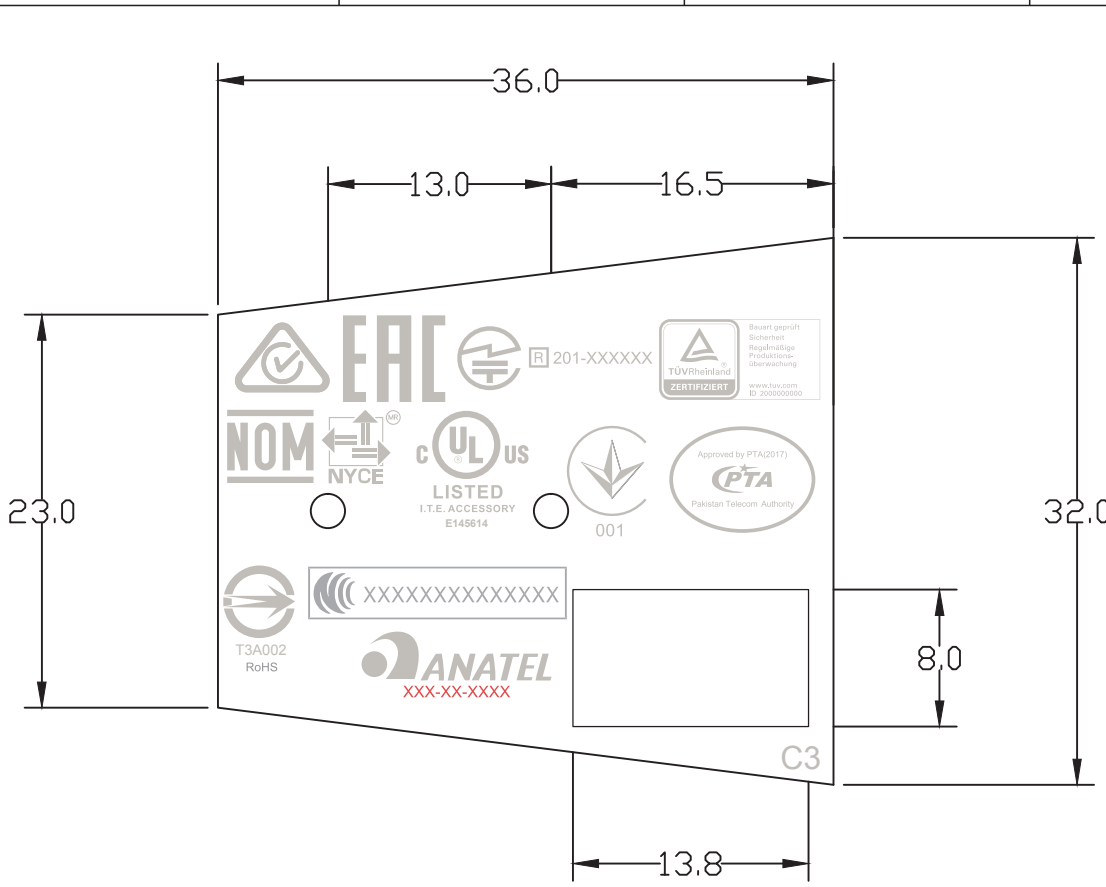
MARK	ISSUE	DATE	REVER	DCN NO.
------	-------	------	-------	---------



NOTE:

- 1.MATERIAL: PET LABEL T=0.1MM
- 2.BACKGROUND COLOR: CLEAR
- 3.TEXT&SYMBOLS COLOR: PANTONE COOL GREY 1C, MATTE
4. THE PRODUCT AND COMPONENT NEED COMPLY WITH HP GSE (GENERAL SPECIFICATION FOR THE ENVIRONMENT) AND HP ROHS 2 COMPLIANCE SPEC BOTH LATEST REVISION.
5. STRIPPING RESISTANCE>=1.2KG@180° OR >=3.5KG@90°
6. THIS PART MUST COMPLY WITH THE LATEST VERSION \ "HS-301" OF LITEON.


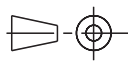
PART NO	DESCRIPTION	QTY	MAT'L	TRETING	REMARK
SCALE: 1:1	TOLERANCE : UNSPECIFIED .XXX ± 0.05 .XX ± 0.1 .X ± 0.15 ± 0.25 ANGLE ± 0.5°	 SILITEK ELECTRONICS(DONGGUAN)CO.,LTD DONGGUAN LITE-ON COMPUTER CO., LTD.			
UNIT: mm					
DRAWN:				TITLE: SM2065 FCC Bottom Label	
DESIGER:					
CHECKED:		SHEET 1 OF 1			
APPROVED:		DRAWING NO:			



MARK	ISSUE	DATE	REVER	DCN NO.
------	-------	------	-------	---------

Note:

1. MATERIAL:
- 2.BACKGROUND COLOR: JACK BLACK,SP#1240
3. TEXT&SYMBOLS COLOR: PANTONE COOL GREY 4C.
- 4.THE PRODUCT AND COMPONENT NEED COMPLY WITH HP GSE (GENERAL SPECIFICATION FOR THE ENVIRONMENT) AND HP ROHS 2 COMPLIANCE SPEC BOTH LATEST REVISION.
5. STRIPPING RESISTANCE>=1.2KG@180° OR >=3.5KG@90°.
6. THIS PART MUST COMPLY WITH THE LATEST VERSION"HS-301" OF LITEON.

PART NO	DESCRIPTION	QTY	MATL	TRETING	REMARK
SCALE: 1:1	TOLERANCE : UNSPECIFIED .XXX ± 0.05 .XX ± 0.1 .X ± 0.15 · ANGLE ± 0.5°	 SILITEK ELECTRONICS(DONGGUAN)CO.,LTD DONGGUAN LITE-ON COMPUTER CO., LTD.			
UNIT: mm				TITLE: SM2065_FCC_Label_Right	
DRAWN:	DESIGER:	SHEET 1 of 1		DRAWING NO:	
CHECKED:	APPROVED:				