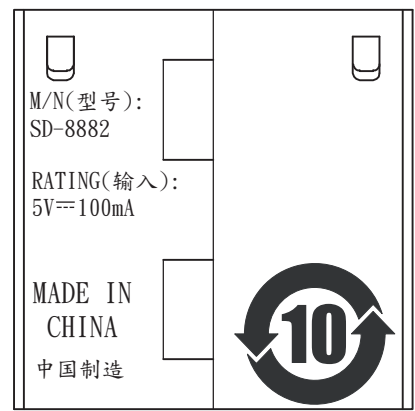
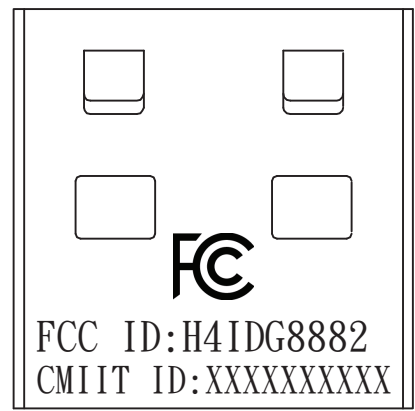
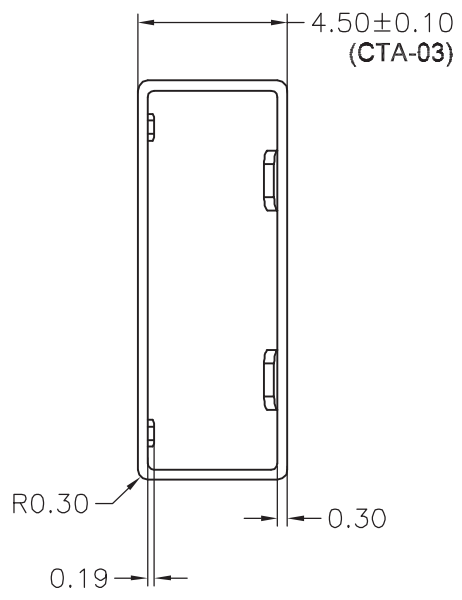
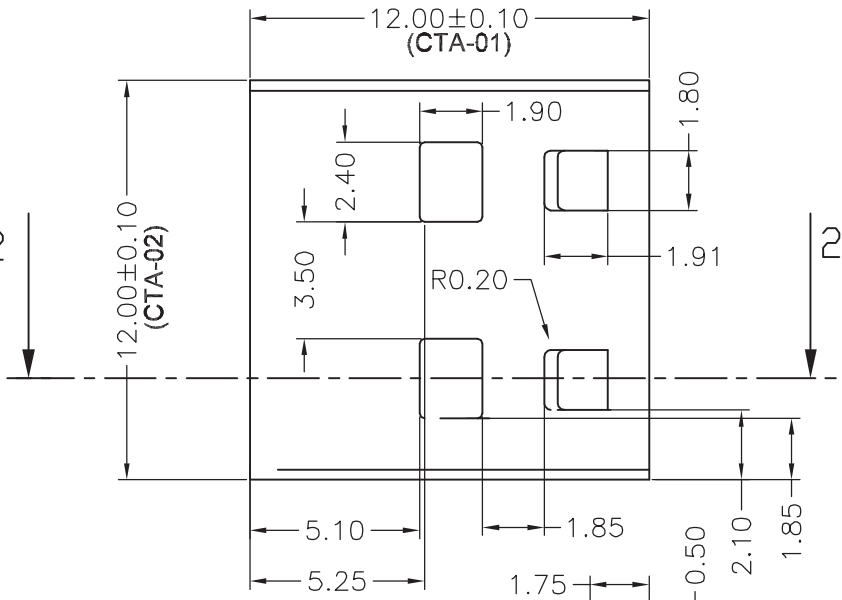


MARK	ISSUE	DATE	REVER

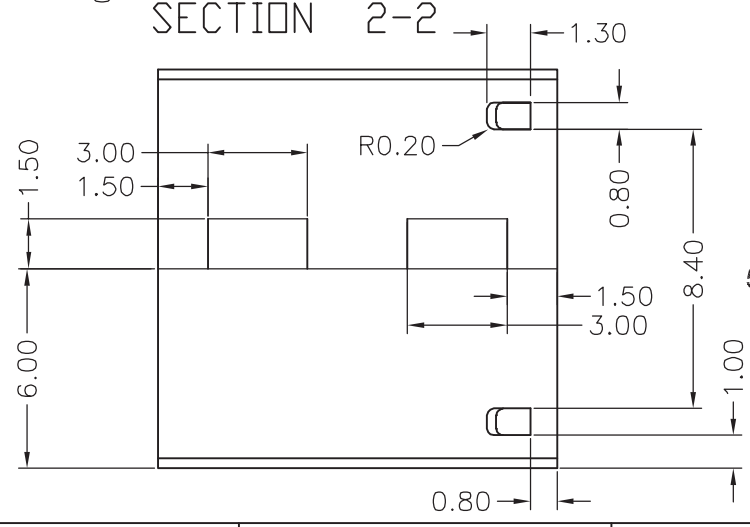


- Note:**
- 1 Material: SUS304+SWIC(plated with nickel)
 2. 3D surface and curve refer to Pro/E file.
 3. CTA=Critical to assemble(01~03)
 4. Unspecified tolerance:

SELECT V	V			
DIM. LEVEL	A	B	C	D
~ 5	±0.03	±0.05	±0.08	±0.10
5 ~ 10	±0.05	±0.08	±0.10	±0.15
10 ~ 50	±0.08	±0.10	±0.15	±0.20
50 ~ 100	±0.10	±0.15	±0.20	±0.25
100 ~	±0.10	±0.15	±0.20	±0.25

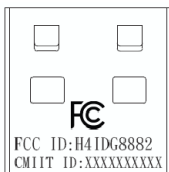
5. The part is according to the latest version "HS-301" of LITEON.

SECTION 2-2



PART NO	DESCRIPTION	QTY	MAT'L	TRETING	REMARK
SCALE: FREE	TOLERANCE : UNSPECIFIED	SILITEK ELECTRONICS(DONGGUAN)CO.,LTD DONGGUAN LITE ON COMPUTER CO., LTD.			
UNIT: mm	.XXX ± 0.05 .XX ± 0.1 .X ± 0.15 ANGLE ± 0.25°				
DRAWN:	TITLE: SD8882_iron shell		SHEET 1 OF 1		
DESIGER:	DRAWING NO: 821-XXXXX-XXA				
CHECKED:					
APPROVED:					

12mm



12mm

