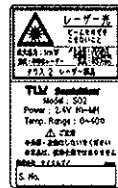
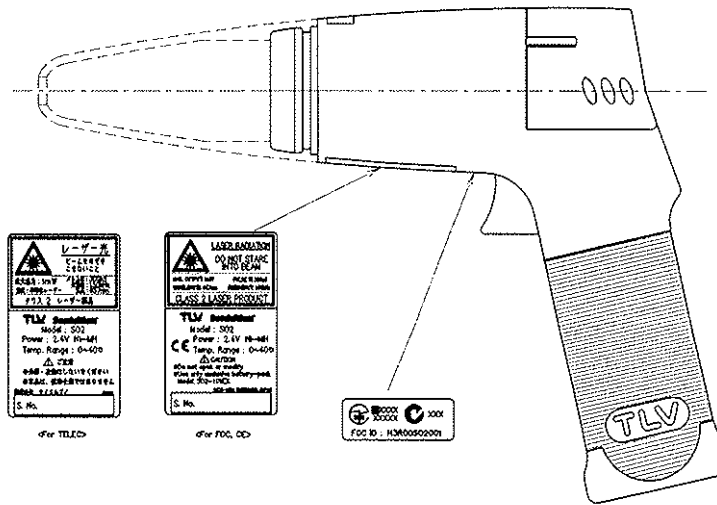
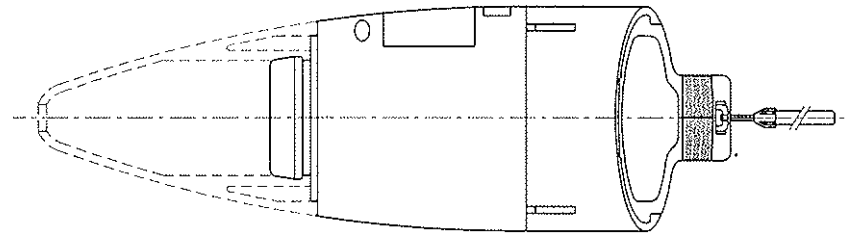
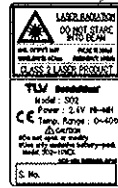


Position of labels



for TLV Co.



for FCC, CE



30				
29				
28				
27				
26				
25				
24				
23				
22				
21				
20				
19				
18				
17				
16				
15				
14				
13				
12				
11				
10				
9				
8				
7				
6				
5				
4				
3				
2				
1				
Part No.	Part Name	No. Req'd	Material	Equivalent
Approved by	M.Harada	SIZE (DN)	mm	-
Checked by	T.Oike	PMA	MPaG	-
		TMA	°C	-
		PMO	MPaG	-
Drawn by	M.Yonemura	TMO	°C	-
		Hyd.Press.	MPaG	-
Date	2004-08-11			
Product	<b>SonicMan</b>			
Model	S02/S02-EX			
DWG. No.	E-E478-FCC_LABEL_POSITION			