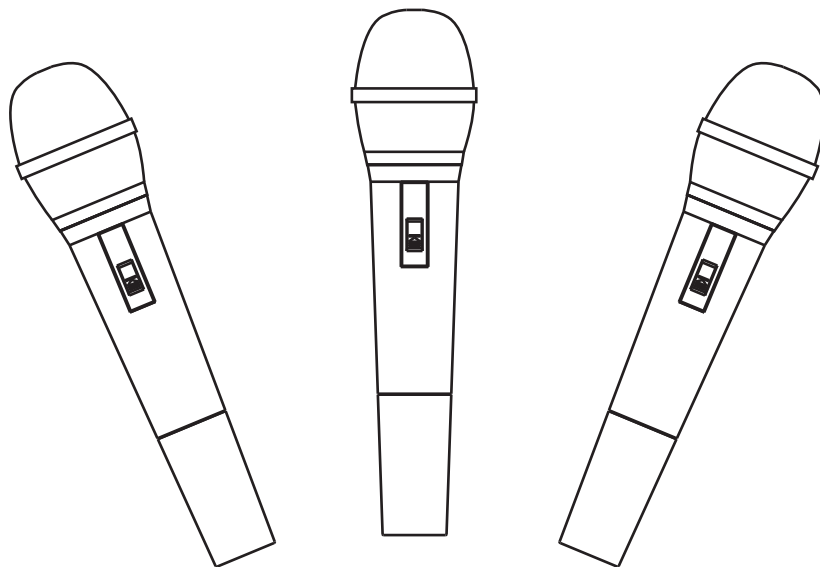

WIRELESS MICROPHONE SYSTEM
INSTRUCTION MANUAL



HAVING BEEN DEVOTED TO R&D FOR YEARS, OUR COMPANY IS SPECIALIZED IN MANUFACTURING HIGH QUALITY PROFESSIONAL WIRELESS MICROPHONES. THIS REALLY ELABORATED MODEL SERVES TO YOUR COMPLETE SATISFACTION ON MANY OCCASIONS KARAOKE, FAMILY AND FRIEND GATHERING.

FEATURE:

1. VHF high band wireless microphone.
2. Hand-held dynamic microphone.
3. Wide dynamic range.
4. Over 12 hours of continuous operation with on LR6 (AA size 1.5) alkaline battery.
5. Battery replacement indicator.
6. Tone-key circuit to eliminate external interference.
7. Comander circuit for extended dynamic range.

— 1 —

SPECIFICATIONS

Microphone element	Condenser
Type of emission	FM(F3E)
Carrier frequency range	160-245 MHz
Frequency stability	± 0.005% at 25 °C
Max. modulation	± 40KHz Deviation
Tone frequency	32.768 KHz
Pre-emphasis	50 μ S
Spurious emissions	40dBc
RF output power	<1 mW
Frequency response (± 3dB)	50 Hz~15KHz
Dynamic range	100 dB
Battery	1 × LR6(AA Size)(1.5 Volts)
Current drain	60 mA
Battery life (Alkali)	More than 12 hours
Dimensions	240 mm (9.45in)
Net weight	160g(0.356lbs)

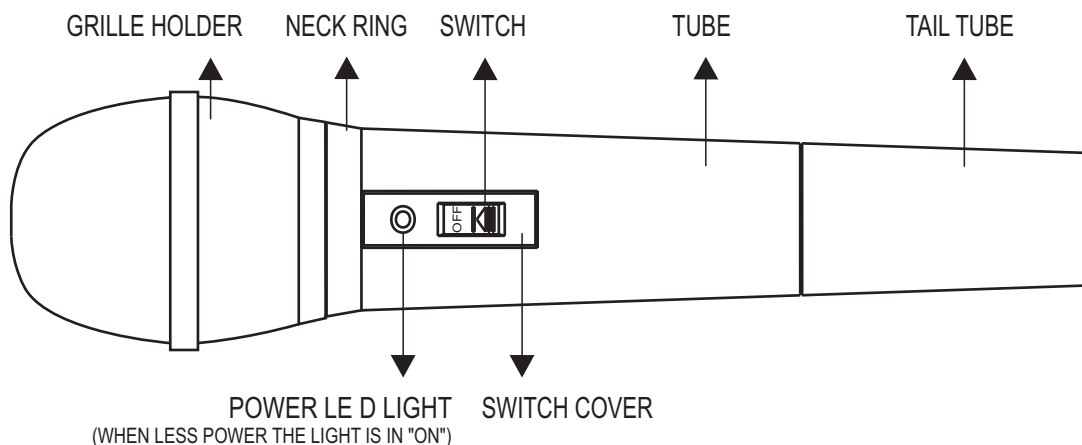
— 2 —

(HAND HOLD MICROPHONE TRANSMITTER)

SMT is a design of high quality and precise technology. High quality dynamic cartridge is used to produces HI-FI sound, which is soft, broad and deep, most suitable for KTV entertaining.

OTHER FEATURES:

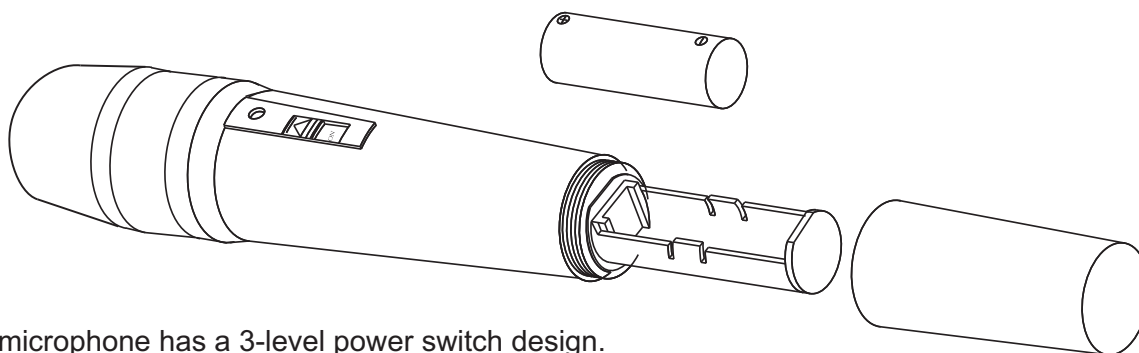
- "STAND-BY" function.



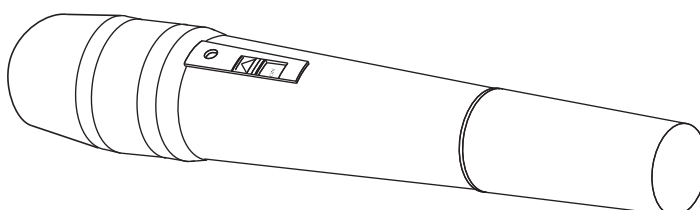
— 3 —

BATTERY INFORMATION:

NOTE: Make sure the power switch is in the "OFF" position when changing or installing new battery. Average life on an alkaline battery is 12 hours. Be sure to use good quality long life 1.5V alkaline battery only.



1. This microphone has a 3-level power switch design.
2. In using first turn on the receiver and then the transmitter.
3. New battery the power light is in "OFF".
The light is "ON" It indicates the battery needs to be replaced.
4. Remember to turn the switch "OFF",
When the microphone is not in use in order to save power. In "STAND-BY" set the switch to the center.



— 4 —

CAUTION:

1. BATTERY USE DC1.5V (1 × LR).
2. DO NOT DROP THE MICROPHONE BODY ON THE FLOOR.
3. PROTECT THE UNITS AGAINST HUMIDITY AND HEAT.
4. IF THE UNITS ARE TO BE PUT OUT OF OPERATION DEFINITELY, BRING THEM TO TECHNICAL ENGINEER FOR DISPOSAL.