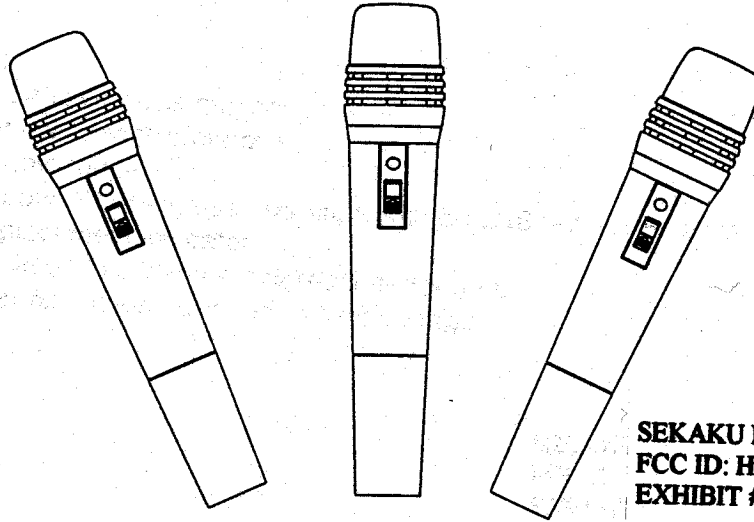


# WT-201

---

---

## WIRELESS MICROPHONE SYSTEM INSTRUCTION MANUAL



SEKAKU ELECTRON IND. CO., LTD.  
FCC ID: H38WT-201  
EXHIBIT #: 7A

HAVING BEEN DEVOTED TO R&D FOR YEARS, OUR COMPANY IS SPECIALIZED IN MANUFACTURING HIGH QUALITY PROFESSIONAL WIRELESS MICROPHONES. THIS REALLY ELABORATED MODEL SERVES TO YOUR COMPLETE SATISFACTION ON MANY OCCASIONS KARAOKE, FAMILY AND FRIEND GATHERING.

**FEATURE:**

1. VHF high band wireless microphone.
2. Hand-held dynamic microphone.
3. Wide dynamic range.
4. Over 12 hours of continuous operation with on LR6 (AA size 1.5) alkaline battery.
5. Battery replacement indicator.
6. Tone-key circuit to eliminate external interference.
7. Comander circuit for extended dynamic range.

SEKAKU ELECTRON IND. CO., LTD.  
 FCC ID: H38WT-201  
 EXHIBIT #: \_\_\_\_\_ *7B*

SEKAKU ELECTRON IND. CO., LTD.  
FCC ID: H38WT-201  
EXHIBIT #: 7C

## SPECIFICATIONS

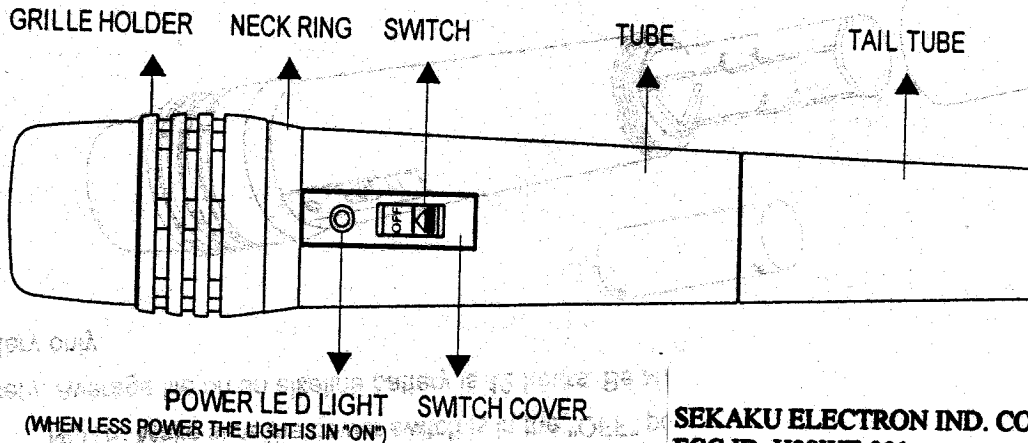
Microphone element	Dynamic
Type of emission	FM(F3E)
Carrier frequency range	<del>174-210MHz</del>
Frequency stability	$\pm 0.005\%$ at 25°C
Max. modulation	$\pm 40\text{KHz}$ Deviation
Tone frequency	32.768 KHz
Pre-emphasis	50 $\mu\text{S}$
Spurious emissions	40dBc
RF output power	10mW
Frequency response ( $\pm 3\text{dB}$ )	50 Hz~15KHz
Dynamic range	100 dB
Battery	1 $\times$ LR6(AA Size)(1.5 Volts)
Current drain	60 mA
Battery life (Alkali)	More than 12 hours
Dimensions	235 mm
Net weight	Approx. 210g

# WT-201 (HAND HOLD MICROPHONE TRANSMITTER)

SMT is a design of high quality and precise technology. High quality dynamic cartridge is used to produces HI-FI sound, which is soft, broad and deep, most suitable for KTV entertaining.

## OTHER FEATURES:

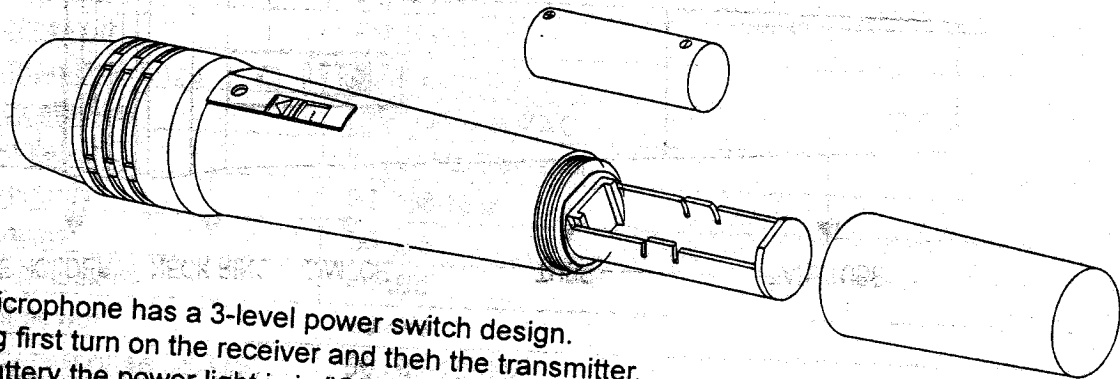
- "STAND-BY" function.



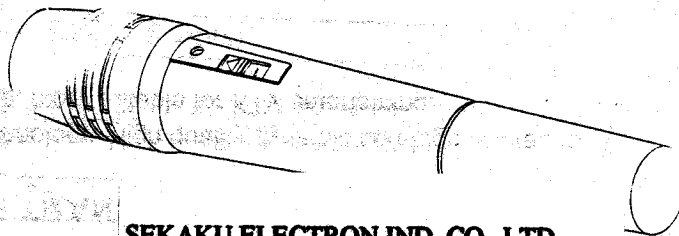
SEKAKU ELECTRON IND. CO., LTD.  
FCC ID: H38WT-201  
EXHIBIT #: 7D

## WT-201 BATTERY INFORMATION:

NOTE: Make sure the power switch is in the "OFF" position when changing or installing new battery. Average life on an alkaline battery is 12 hours. Be sure to use good quality long life 1.5V alkaline battery only.



1. This microphone has a 3-level power switch design.
2. In using first turn on the receiver and then the transmitter.
3. New battery the power light is in "OFF".  
The light is "ON" it indicates the battery needs to be replaced.
4. Remember to turn the switch "OFF".  
When the microphone is not in use in order to save power. In "STAND-BY" set the switch to the center.



SEKAKU ELECTRON IND. CO., LTD.

FCC ID: H38WT-201

EXHIBIT #:

7E