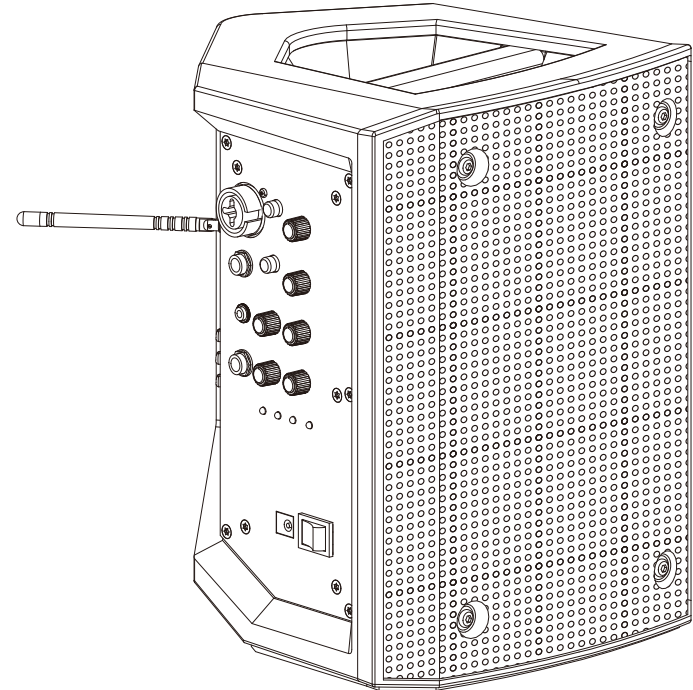


# **PORTABLE SOUND SYSTEM WITH BLUETOOTH**



NF05675-1.0



## 11. ACCESSORIES

Power Cord	1
Wireless Microphone (optional)	1
User Manual	1
Battery (optional)	1
Power Adapter	1

## 12. CAUTION

- 1) Do not use any volatile solvents such as toluene, Alcohol or gasoline for safety, keep product clean and free from dust.
- 2) In summer, Do not put this equipment in the sun directly.
- 3) Do not place the unit in the rain directly when used in the outdoor.
- 4) After using, press the power switch to turn off the power.
- 5) If the equipment is not used for a long time, please recharge the battery to at least 80% of its full level to lengthen the battery life.



**CAUTION:** RISK OF EXPLOSION IF THE BATTERY IS REPLACED BY A DIFFERENT TYPE. BATTERY INSTALLATION AND REPLACEMENT MUST BE PERFORMED BY PERSONNEL IN POSSESSION OF SUFFICIENT TECHNICAL KNOWLEDGE, EXPERIENCE, OR INSTRUCTIONS TO PROPERLY PERFORM CONNECTIONS. DO NOT USE THIS PRODUCT NEAR WATER. DO NOT USE THIS PRODUCT NEAR ANY SOURCE OF HEAT AND KEEP IT AWAY FROM FLAMES.



### FCC STATEMENT

1. This device complies with Part 15 of the FCC Rules. Operation is subject to the following two conditions:
  - (1) This device may not cause harmful interference, and
  - (2) This device must accept any interference received, including interference that may cause undesired operation.
2. Changes or modifications not expressly approved by the party responsible for compliance could void the user's authority to operate the equipment.

### Radiation Exposure Statement

This equipment complies with FCC radiation exposure limits set forth for an uncontrolled environment. This equipment should be installed and operated with minimum distance 20cm between the radiator & your body.

**NOTE:** This equipment has been tested and found to comply with the limits for a Class B digital device, pursuant to Part 15 of the FCC Rules. These limits are designed to provide reasonable protection against harmful interference in a residential installation. This equipment generates, uses and can radiate radio frequency energy and, if not installed and used in accordance with the instructions, may cause harmful interference to radio communications. However, there is no guarantee that interference will not occur in a particular installation. If this equipment does cause harmful interference to radio or television reception, which can be determined by turning the equipment off and on, the user is encouraged to try to correct the interference by one or more of the following measures:

- Reorient or relocate the receiving antenna.
- Increase the separation between the equipment and receiver.
- Connect the equipment into an outlet on a circuit different from that to which the receiver is connected.
- Consult the dealer or an experienced radio/TV technician for help.

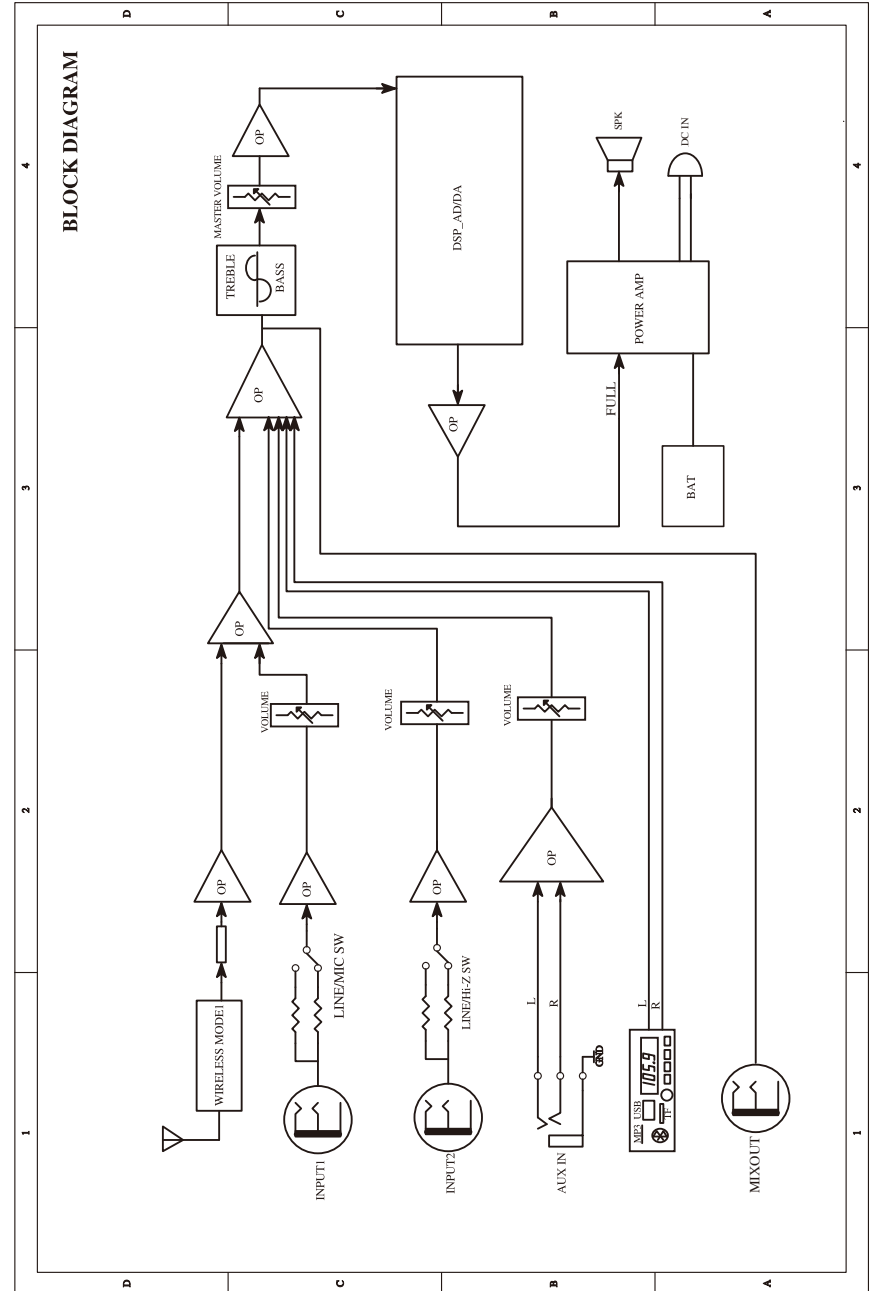
### IMPORTANT!

Please read this manual carefully before operating this unit for the first time.

# TABLE OF CONTENTS

1. IMPORTANT SAFETY INFORMATION .....	1
2. FEATURES .....	2
3. CONTROL ELEMENTS .....	3
4. RECEIVER (RX) OPTIONAL .....	7
5. TRANSMITTER (TX) .....	8
6. CABINET POSITIONS .....	12
7. CONNECTING DIAGRAM .....	13
8. WIRE CONNECTIONS .....	15
9. TECHNICAL SPECIFICATIONS .....	16
10. BLOCK DIAGRAM .....	17
11. ACCESSORIES .....	18
12. CAUTION .....	18

# 10. BLOCK DIAGRAM



## 9. TECHNICAL SPECIFICATIONS

Model	5" All-In One PA system
Bands	Dependent on applicable country regulations
Power Supply	AC: 100-240V~50-60Hz(when using supplied ac adapter DC24V 2.5A) / Battery: 14.8V(Lithium)
System Type	Portable Sound System with Bluetooth
Transducer Low	5.25" Woofer
Frequency Response	80Hz-16KHz
Max SPL	113dB MAX
AMP Power Output	Class D 40W RMS
Input	CH1 MIC: -35dBu (±1dBu) CH2 LINE: 0dBu (±1dBu)
Sensitivity	CH1 LINE: 0dBu (±1dbu) CH2 Hi-Z: -35dBu(±1dBu) AUX: -10dBu (±1dBu)
Equalizer Controls	BASS: ±10dB (at 100Hz) / HIGH: ±10dBu (at 10KHz)
External Controls	Master Volume; MIC & LINE Switch; Hi-Z & LINE AUX each Volume Controls; Voice priority Switch; Power Indicators; Recharged Indicators Low Battery Level Indicators.
Connectors	1 x XLR / 6.3 mm jack combo line / Mic input 1 x 6.3 mm jack line / Hi-Z input 1 x 3.5mm stereo jack input 1 x 6.3 mm jack line mix output
Battery charge time	At least 4 hours
Battery use time	More than 5 hours (Regular Play)
Wireless Frequency band	UHF 470MHz ~960MHz
Built-in player	MP3 and Bluetooth
Enclosure Construction	Plastic cabinet, Trapezoidal, Metal grille, plastic handle.
Mounting	20 mm standard pole-mount
Dimensions (LxWxH)	258mm(L) x 192mm(W) x 211mm(H)
Net weight	3.4Kg
Volume	1.09CFT

## SAFETY RELATED SYMBOLS



This symbol, wherever used, alerts you to the presence of un-insulated and dangerous voltages within the product enclosure. These are voltages that may be sufficient to constitute the risk of electric shock or death.



This symbol, wherever used, alerts you to important operating and maintenance instructions. Please read.



Protective Ground Terminal



AC mains (Alternating Current)



Hazardous Live Terminal



ON: Denotes the product is turned on.



OFF: Denotes the product is turned off.

### WARNING

Describes precautions that should be observed to prevent the possibility of death or injury to the user.



Disposing of this product should not be placed in municipal waste and should be separate collection.

### CAUTION

Describes precautions that should be observed to prevent damage to the product.

### WARNING

#### • Power Supply

Ensure that the mains source voltage (AC outlet) matches the voltage rating of the product. Failure to do so could result in damage to the product and possibly the user.

Unplug the product before electrical storms occur and when unused for long periods of time to reduce the risk of electric shock or fire.

#### • External Connection

Always use proper ready-made insulated mains cabling (power cord). Failure to do so could result in shock/death or fire. If in doubt, seek advice from a registered electrician.

#### • Do Not Remove Any Covers

Within the product are areas where high voltages may present. To reduce the risk of electric shock do not remove any covers unless the AC mains power cord is removed.

**Covers should be removed by qualified service personnel only.**

No user serviceable parts inside.

#### • Fuse

To prevent fire and damage to the product, use only the recommended fuse type as indicated in this manual. Do not short-circuit the fuse holder. Before replacing the fuse, make sure that the product is OFF and disconnected from the AC outlet.

#### • Protective Ground

Before turning the product ON, make sure that it is connected to Ground. This is to prevent the risk of electric shock.

Never cut internal or external Ground wires. Likewise, never remove Ground wiring from the Protective Ground Terminal.

#### • Operating Conditions

Always install in accordance with the manufacturer's instructions.

To avoid the risk of electric shock and damage, do not subject this product to any liquid/rain or moisture. Do not use this product when in close proximity to water.

Do not install this product near any direct heat source. Do not block areas of ventilation. Failure to do so could result in fire.

Keep product away from naked flames.

## IMPORTANT SAFETY INSTRUCTIONS

Read these instructions

Follow all instructions

Keep these instructions. Do not discard.

Heed all warnings.

Only use attachments/accessories specified by the manufacturer.

#### • Power Cord and Plug

Do not tamper with the power cord or plug. These are designed for your safety.

Do not remove Ground connections!

If the plug does not fit your AC outlet seek advice from a qualified electrician.

Protect the power cord and plug from any physical stress to avoid risk of electric shock.

Do not place heavy objects on the power cord. This could cause electric shock or fire.

#### • Cleaning

When required, either blow off dust from the product or use a dry cloth.

Do not use any solvents such as Benzol or Alcohol. For safety, keep product clean and free from dust.

#### • Servicing

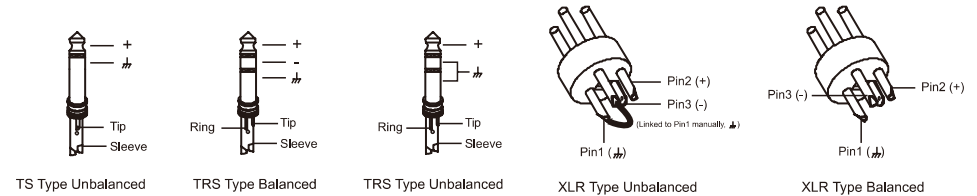
Refer all servicing to qualified service personnel only. Do not perform any servicing other than those instructions contained within the User's Manual.

## 2. FEATURES

- Multifunctional portable active sound system
- User friendly operation
- Power: 40W RMS
- 5.25" Woofer
- SPL: 113dB MAX SPL
- Three operating positions: Vertical/ Inclined/ Monitor
- Light and easy to carry
- Music Player: Bluetooth/ MP3
- Operation with rechargeable battery. (Up to 5 continuous hours)
- CH1 Wireless Microphones (optional)
- Two power sources: AC 100V-240V. DC 14.8 V (LITHIUM BATTERY) (optional)
- 3-channel mixer, 2-band EQ

## 8. WIRE CONNECTIONS

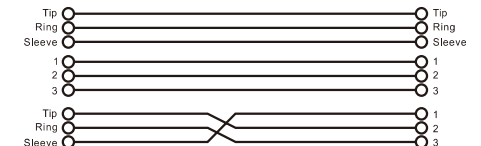
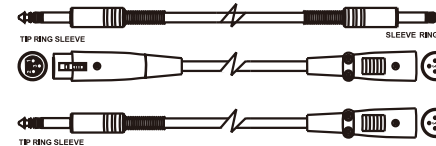
Both connectors, 1/4" XLR or TRS, can be wired in balanced or unbalanced way, depending on the work necessity. The following ones are examples of how these connectors can be wired:



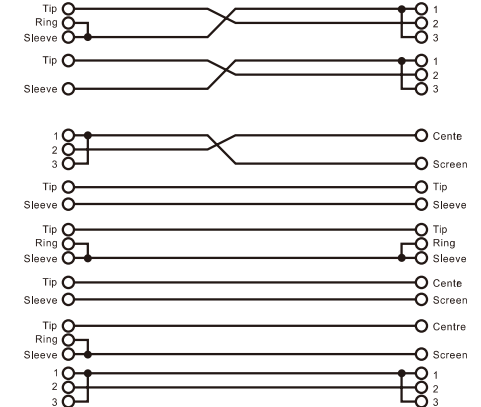
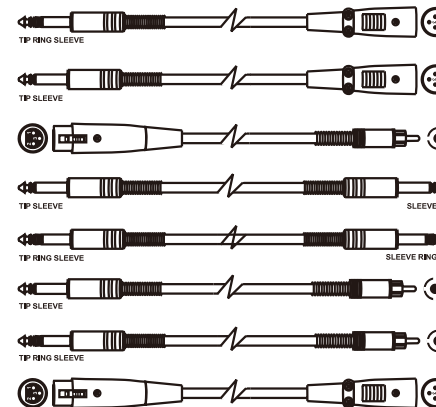
### For Active Speaker Cabinets

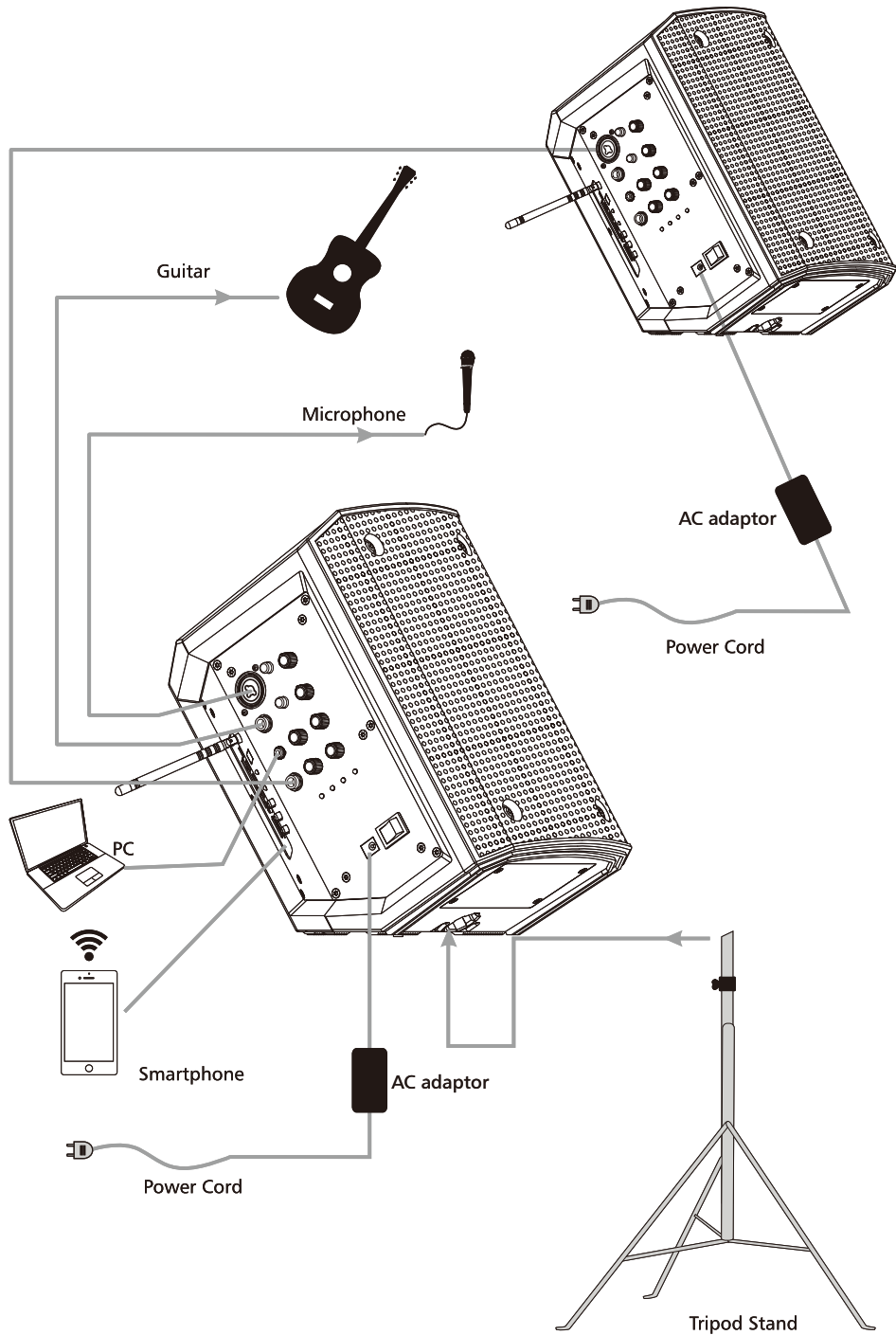
As to these circumstances, audio connections is mostly intended for the signal flow, so, determine the wire configuration according to your real application system and its connecting facility. Normally, you have the following choices:

#### • Balanced

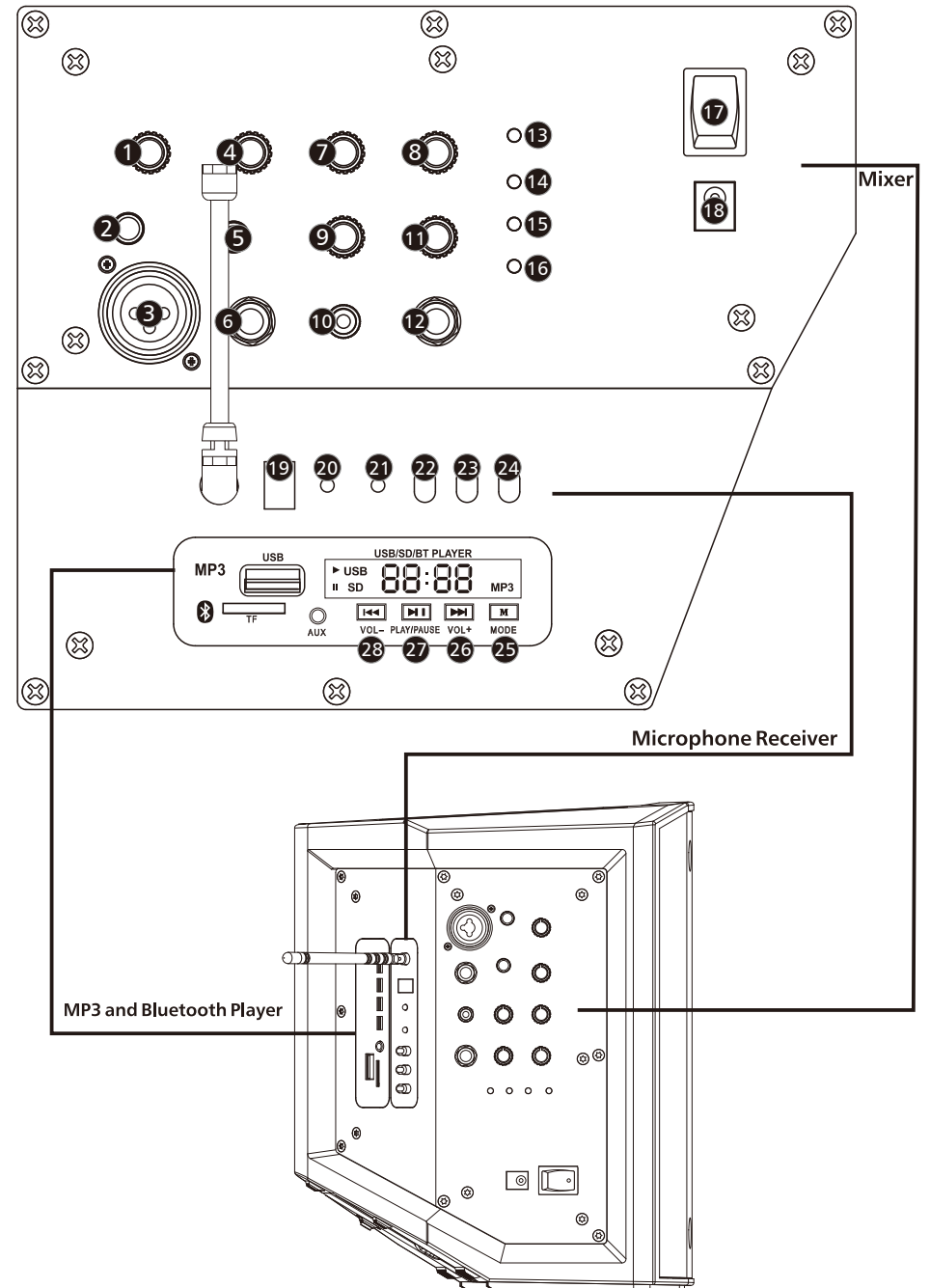


#### • Unbalanced





### 3. CONTROL ELEMENTS



## Mixer

### 1) Channel 1 Volume Control

Controls the input signal level of channel 1.

### 2) Line/Microphone Selector Channel 1

This switch changes the impedance of the Line level channel or Microphone level.

### 3) Channel 1 Input Connector

This combo jack has XLR and TRS configuration (Balanced and unbalanced).

### 4) Channel 2 Volume Control

Controls the input signal level of channel 2.

### 5) Line Selector/Hi-Z Channel 2

This switch changes the impedance of the Line level channel or High Impedance level.

### 6) Channel 2 Input Connector

This TRS jack receives the input signal, either in high impedance or line level (Balanced / Unbalanced)

### 7) Bass Controls

This knob adjusts the gain or attenuation of the bass section of the channel at  $\pm 10$ dB.

### 8) Treble Controls

This knob adjusts the gain or attenuation of the channel's high section at  $\pm 10$ dB.

### 9) Aux Volume Control

This control adjusts the signal level coming from the Aux channel.

### 10) Aux input:

This 1/8" (3.5mm) connector is the auxiliary channel input connector.

### 11) Master Control

This control adjusts the overall volume of the mixer and affects ALL channels.

### 12) Mix Output (Link)

This TRS jack is the mixer output connector that is used to send signal to another active speaker or to add a sub-bass.

### 13) Signal/Clip Indicator

This light will illuminate when there is a signal on any channel in green. When the signal is very high and saturates the input, the color changes to red (Clip).

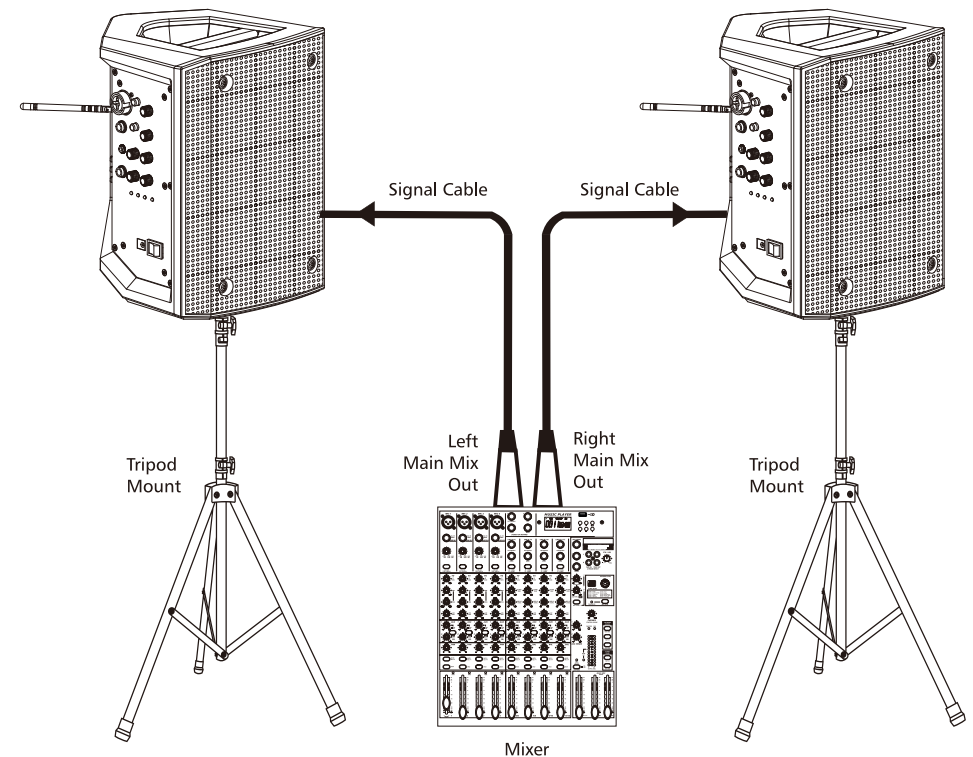
NOTE: Reduce the input level of the corresponding channel, when this led lights up red to avoid the "clip".

## 7.CONNECTING DIAGRAM

***Make your initial connections with all the equipment powered off, and ensure that all the main volume controls are turned down completely.***

### For Full Range Stereo System

- 1) Connect one side of the signal cable at your mixer into the Output Left/ Right (with Stereo Jack or XLR) and the other side of the cable into the Line Input (COMBO) of your active speaker cabinet (with Stereo Jack or XLR).
- 2) Connect the power cord to main.
- 3) Turn ON your mixer first, then the active speaker cabinets.
- 4) Turn up the volume control of the cabinets.
- 5) Use PFL function to get the proper input level for the mixer, and adjust the Main Mix Level control to reach the desired output level.
- 6) After use, turn off your active speaker cabinets first, then the mixer.



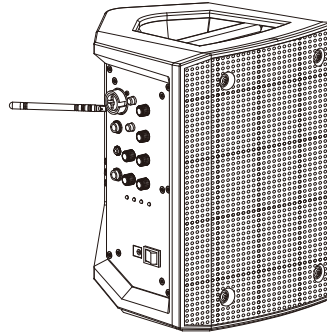


## 6. CABINET POSITIONS

This multifunctional and portable cabinet has three modes of operation and sound projection depending on the application and the place where you work. Thanks to internal switches and equalizers, the system changes the response curve automatically to maintain optimum balance in each position.

### 1 - Elevated Surface

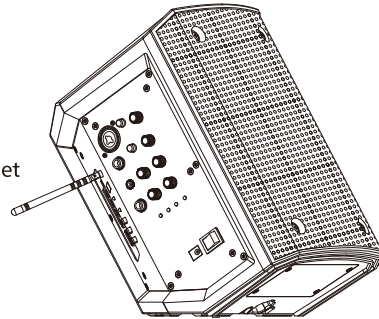
Place the speaker on a raised surface or on a speaker stand. This position allows greater projection of sound in full range to the audience.



1

### 2 - Inclined

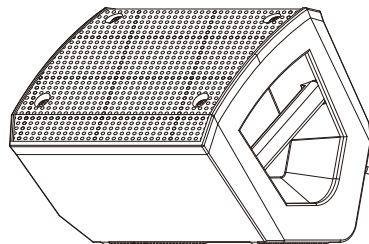
This position is specially used when both the artist and the audience are standing and in a close-up shot or when the audience is sitting in a shot in which the cabinet radiates sound directly to them. In addition, the artist will also have a good reference of what he is playing and singing.



2

### 3 - Monitor

This cabinet has the option of being used as a floor monitor or for a DJ, by tilting it sideways.



3

### 14) Power Indicator

This light will illuminate when the unit has been turned on.

### 15) Recharge Indicator

This light turns red when the battery needs to be recharged and green when the battery is fully charged.

### 16) Low battery Indicator

When the Low Battery lights up, it means that the battery is about to run out. Please connect the AC Power adapter to charge the battery in time.

### 17) Power Switch

If this switch is set to the ON position, both the AC and DC will be connected, although the AC will take priority over the DC. When AC is not present at the power input, the DC power source will automatically switch to keep the unit working. If this switch is in the OFF position, the entire unit will stop working. If the switch is in the recharge position, the internal battery will recharge, but the unit will not work.

### 18) DC IN

Plug the supplied AC adaptor into the DC IN to charge the batteries. The adaptor can also be used as the power supply.

**Note:** when not in use, do not charge batteries for longer than 10 Hours

## Microphone Receiver

### 19) Digital display

Display frequency code and volume level

### 20) RF Indicator

When the RF light is on, it means that the RF signal from TX has been successfully

### 21) received IR indicator

IR port of receiver is used to pair with TX

### 22) UP button

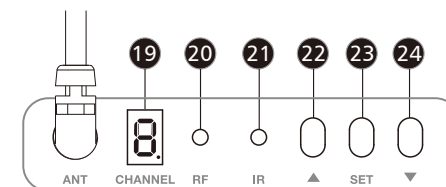
Press and release it to increase channel code number or volume level.

### 23) SET button

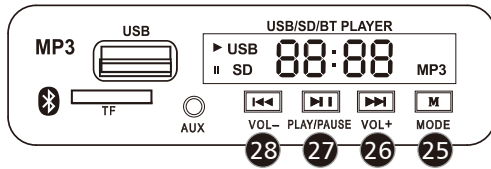
Press and release it to switch interface between CH and VOL.

### 24) DOWN button

Press and release it to decrease channel code number or volume level.



## MP3 and Bluetooth Player



### 25) Mode Button

Short press this button to select between USB / TF card / Aux and Bluetooth. USB / TF and auxiliary functions are automatically selected when inserting the device or if several devices are connected at the same time, one of them, must be selected manually.

For BT mode, search in your mobile phone, computer and other devices for "VIRE BT" network, and then click, after connecting successfully, you can play music.

After the Bluetooth connection, the battery level displayed by the device is not used as a reference, please refer to the actual battery level displayed by the speaker.

Please note that the above modes can only use one mode at a time, and it is impossible to use more than two modes at the same time.

### 26) Volume Button (VOL +)

In MP3 or Bluetooth mode, if this button is pressed quickly it will change to the next song and if it is kept pressed it will increase the volume of the player

In Auxiliary mode it only works as a volume control, press and hold to increase.

### 27) Play / Pause

In MP3 mode, press this button to start playing the song, press again to pause the song.

In Auxiliary mode, press the button to enter "MUTE" mode.

In BT mode, press this button to start playing the song, press again to pause the song. When you receive a call, press this button to answer and when you finish talking, press again to end the call.

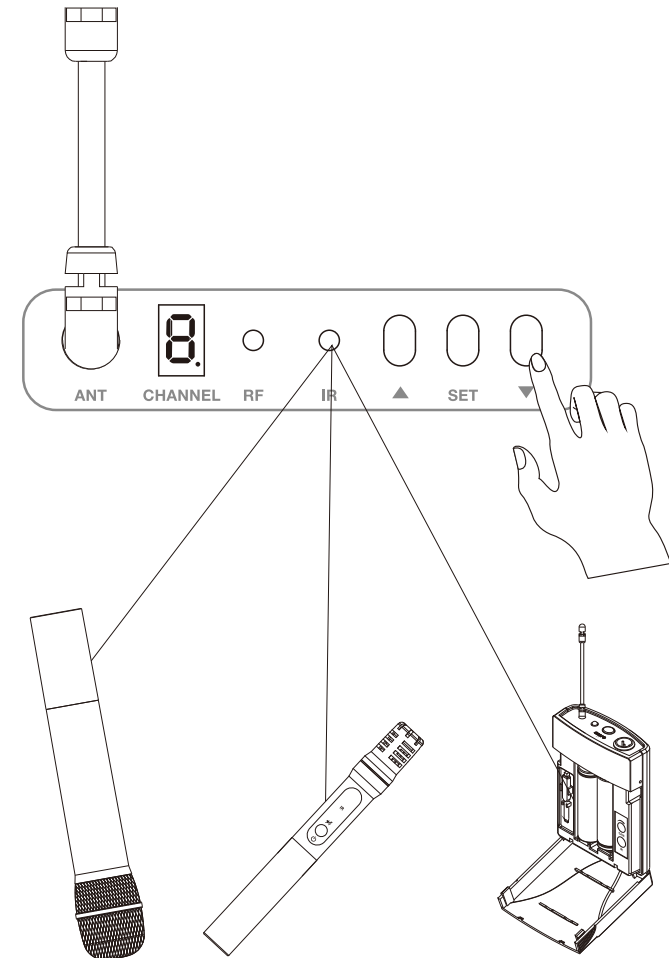
### 28) Volume Button (VOL-)

In MP3 or Bluetooth mode, if this button is pressed quickly, it will change to the previous song and if it is kept pressed it will decrease the volume of the player.

In Auxiliary mode it only works as a volume control, press and hold to decrease it.

## How to pair your receiver and transmitter

Power on your receiver, press and release the UP or DOWN button to select the channel code you prefer manually. Then press and hold the UP button to enter pairing mode, while press and hold DOWN button, it not only enters pairing mode but also find the cleanest channel by automatic scanning. Power on your transmitter, Then place the IR port of receiver to face towards the IR lens of transmitter within 20 CM distance. Once TX and RX are paired successfully. the RF indicator on receiver will light solid.

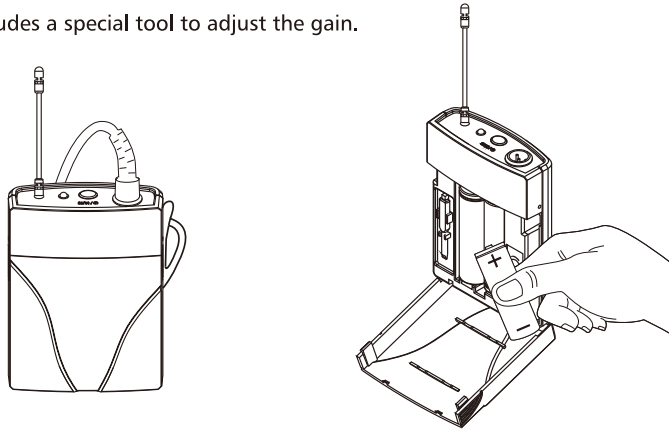


#### 6) Gain Control

This control adjusts the input sensitivity for working with microphones or musical instruments. To achieve a higher efficiency, adjust this gain where you can see the audio frequency bar (AF) on the receiver at 75%

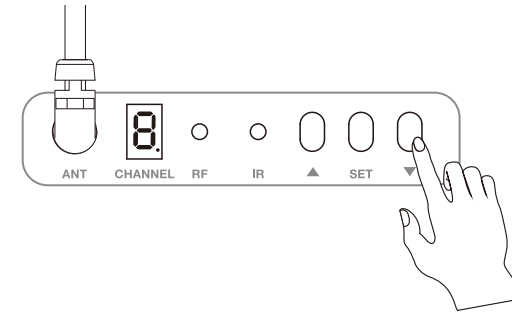
#### 7) Screwdriver

This unit includes a special tool to adjust the gain.



With the transmitter turned off, insert two standard AA (1.5V) batteries, making sure that the positive and negative polarity markings are oriented correctly. Although NI-CAD rechargeable batteries can be used, this transmitter cannot be recharged. Warning: do not insert the battery upside down or it may cause serious damage to your transmitter and will void the warranty.

## 4. RECEIVER(RX)OPTIONAL



1. SET button: press and release the button to switch interface from CH to volume. Enter CH interface, digital light ( only figure 8 )will light up. Enter Volume interface, digital light (both figure 8 and decimal point) will light up simultaneously.

2. UP button: under CH interface, press and release the button to increase channel code number. you can select the channel you perfect .Press and hold the button to enter pairing mode, the digital light begins to flash ,Once TX is paired RX successfully, the green LED will light and the digital light stops flashing.  
Under volume interface, press and release the button to increase volume, you can select the suitable volume by this way.

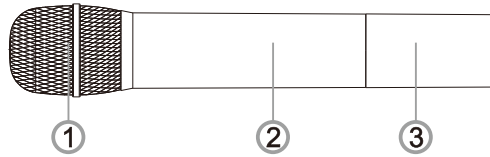
3. Down button: under CH interface, press and release the button to decrease channel code number . Press and hold the button to enter pairing mode, it will scan all channels automatically to select the cleanest channel for pairing, the digital light begins to flash ,Once TX is paired RX successfully, the green LED will light, the digital light stops flashing.  
Under volume interface, press and release the button to reduce volume, you can select suitable volume by this way.

## 5. TRANSMITTER (TX)

Topp Pro offers three transmitter options to be chosen by the user according to what is most convenient for them.

### Option #1

Handheld Transmitter



- 1) Protection Grid
- 2) Microphone Body
- 3) Battery Cover

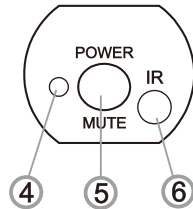
Insert two standard AA (1.5V) batteries here, making sure that the positive and negative polarity marks are oriented correctly. Although NI-CAD rechargeable batteries can be used, this transmitter cannot recharge them.

Warning: do not insert the battery upside down or it may cause serious damage to your transmitter and will void the warranty.

### 4) Status Indicator

This light shows the operation mode:

GREEN	Normal operation
RED	"MUTE"
Flashing RED	Low power



### 5) Power / Mute Switch

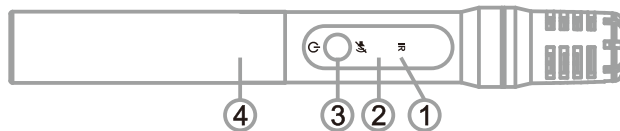
To turn on or off, keep this button pressed. To enter "MUTE" mode press and release this button.

### 6) Infrared (IR)

This window is used to capture the infrared signal sent from the receiver. During IR adjustment to pair the transmitter with the receiver, the IR lens must face the receiver to load the selected channel.

### Option #2

PEN-SHAPE TRANSMITTER



### 1) Power/Mute button

Press and hold for 3 seconds to turn the unit on or off, the indicator will light red first and change to light green after about 5 seconds. It enters normal operation mode.

### 2) Status indicator

A quick press and release will mute or un-mute the transmitter when the transmitter turns on. It will light red for mute and green for un-mute.

### 3) IR LENS

The window is used to capture the infrared signal sent from receiver. During the IR SET to channelize the transmitter, the IR lens must face towards the receiver to load the selected channel.

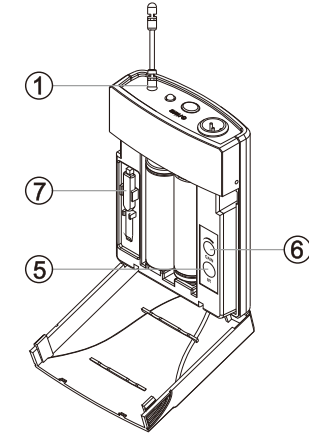
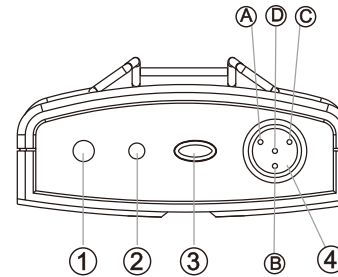
### 4) Battery cover

Insert one standard AA(1.5V) battery here, being sure the plus and minus polarity marking of battery are facing correctly. Although rechargeable NI-CAD battery can be used too, but the unit can't obtain adequate power to keep working for more than 4 hours.

Warning: don't insert the battery backwards, Or it may cause severe damage to your transmitter and will void your warranty.

### Option # 3

Body-Pack transmitter



### 1) Antenna

This permanently attached transmitter antenna should be fully extended during normal operation.

### 2) Status Indicator

This LED displays the operation mode:

GREEN	Normal Operation
RED	"MUTE"
Flashing RED	Low power

### 3) Power/Mute Switch

Press and hold to turn the unit on or off. Press and release to mute or unmute the transmitter.

### 4) Mini 4P connector

- A. Pin 1: Ground (GND)
- B. Pin 2: "Phantom Power" for condenser microphones
- C. Pin 3: Designed for musical instruments (When used with cable)
- D. Pin 4: Designed for use with dynamic or condenser microphones

### 5) Infrared (IR)

This window is used to capture the infrared signal sent from the receiver. During IR adjustment to pair the transmitter with the receiver, the IR lens must face the receiver to load the selected channel.