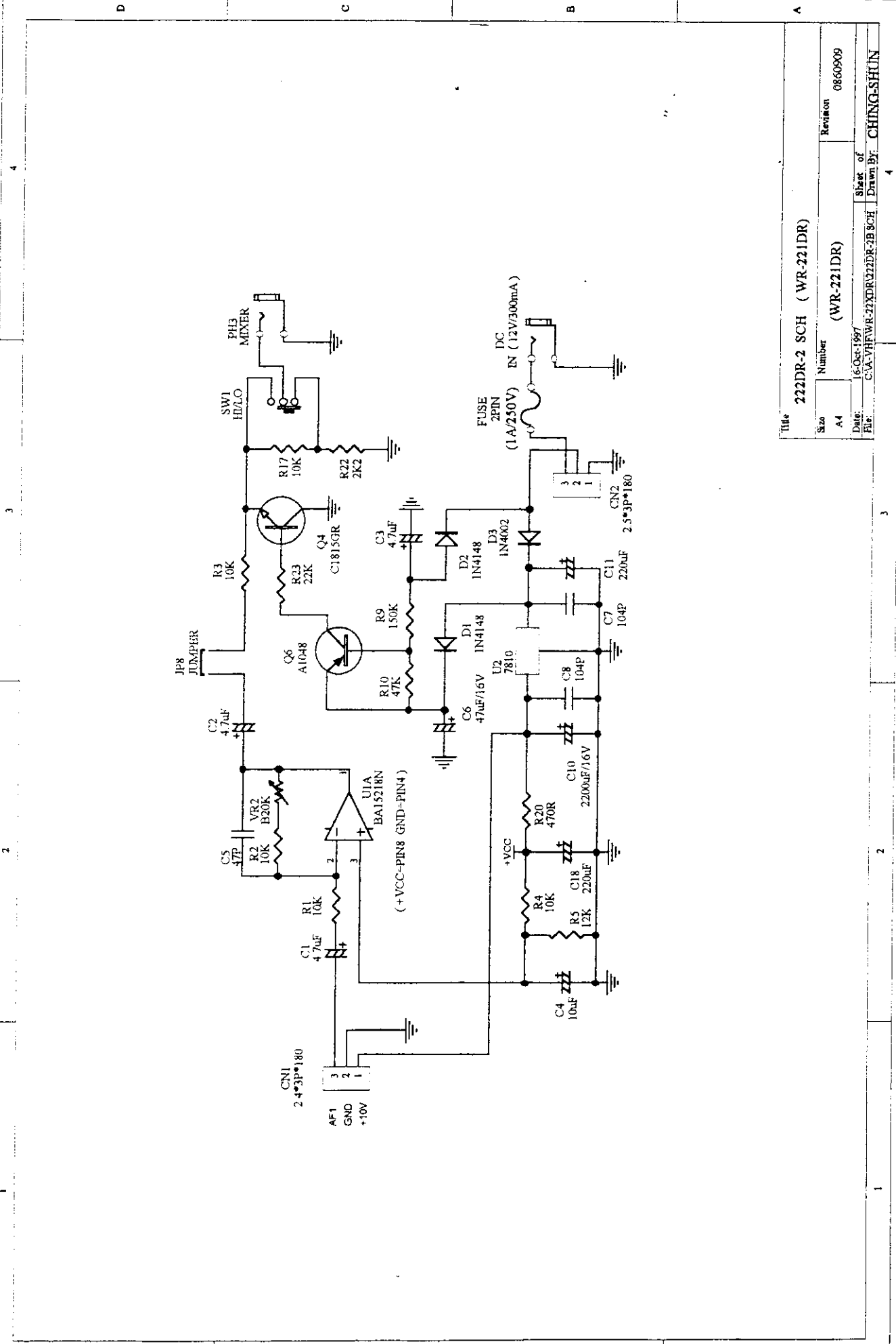
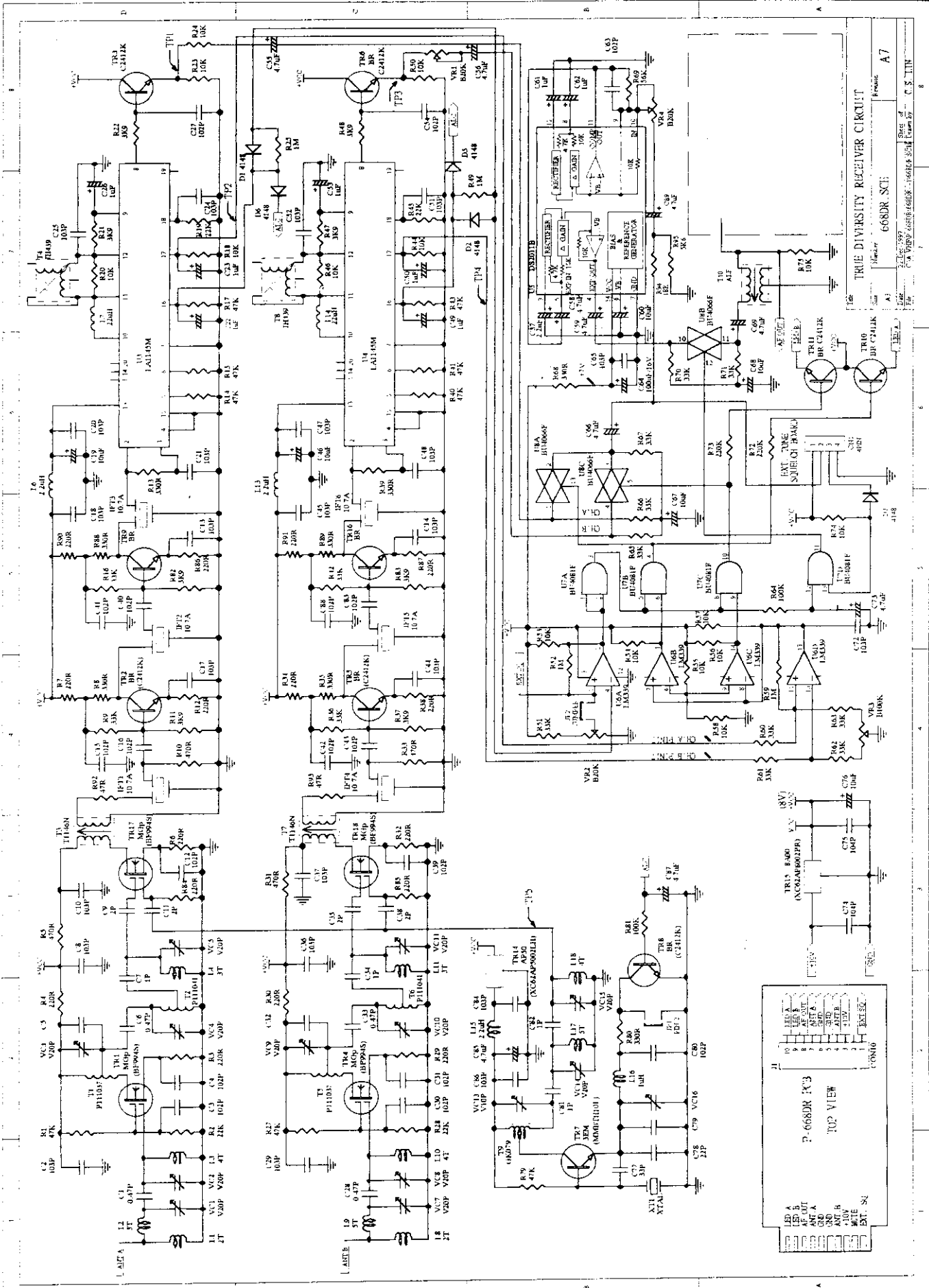


***EXHIBIT D***

***Circuit Diagram***



|       |                               |                        |                      |
|-------|-------------------------------|------------------------|----------------------|
| Title |                               | 222DR-2 SCH (WR-221DR) |                      |
| Size  | Number                        | Revision               | 0860909              |
| A4    | (WR-221DR)                    |                        |                      |
| Date: | 16-Oct-1997                   |                        | Sheet of             |
| File: | C:\A-VI\WR-221DR\222DR-2B.SCH |                        | Drawn By: CHING-SHUN |



**P-668DR PC3 TOP VIEW**

|    |    |    |    |    |    |    |    |    |    |
|----|----|----|----|----|----|----|----|----|----|
| 1  | 2  | 3  | 4  | 5  | 6  | 7  | 8  | 9  | 10 |
| 11 | 12 | 13 | 14 | 15 | 16 | 17 | 18 | 19 | 20 |
| 21 | 22 | 23 | 24 | 25 | 26 | 27 | 28 | 29 | 30 |

CONTO

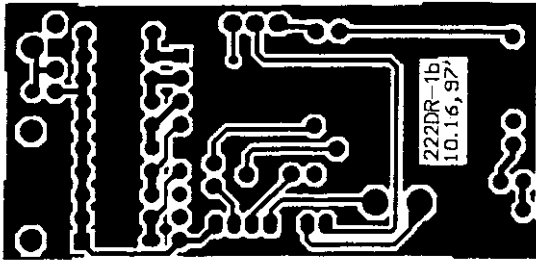
**TRUE DIVERSITY RECEIVER CIRCUIT**

668DR SCI

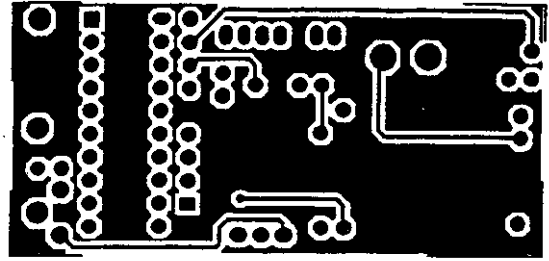
Rev. 1

Sheet of 8

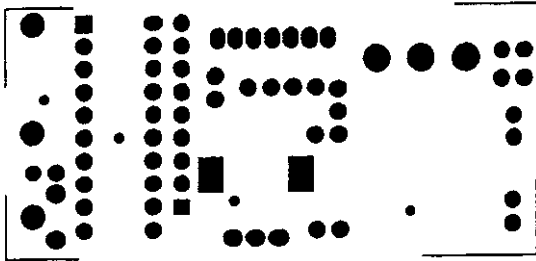
CS LIN



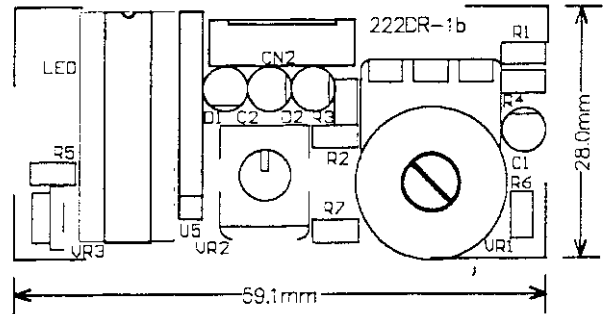
222DR-1b PCB Bottom Layer



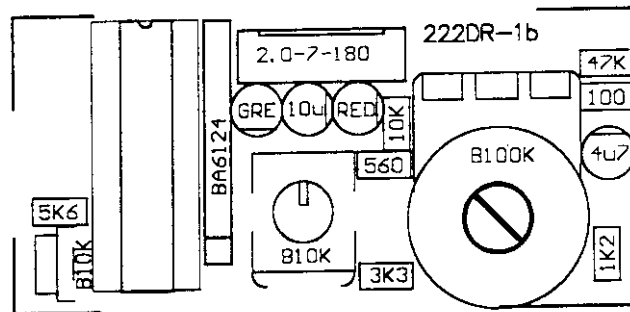
222DR-1b PCB Top Layer

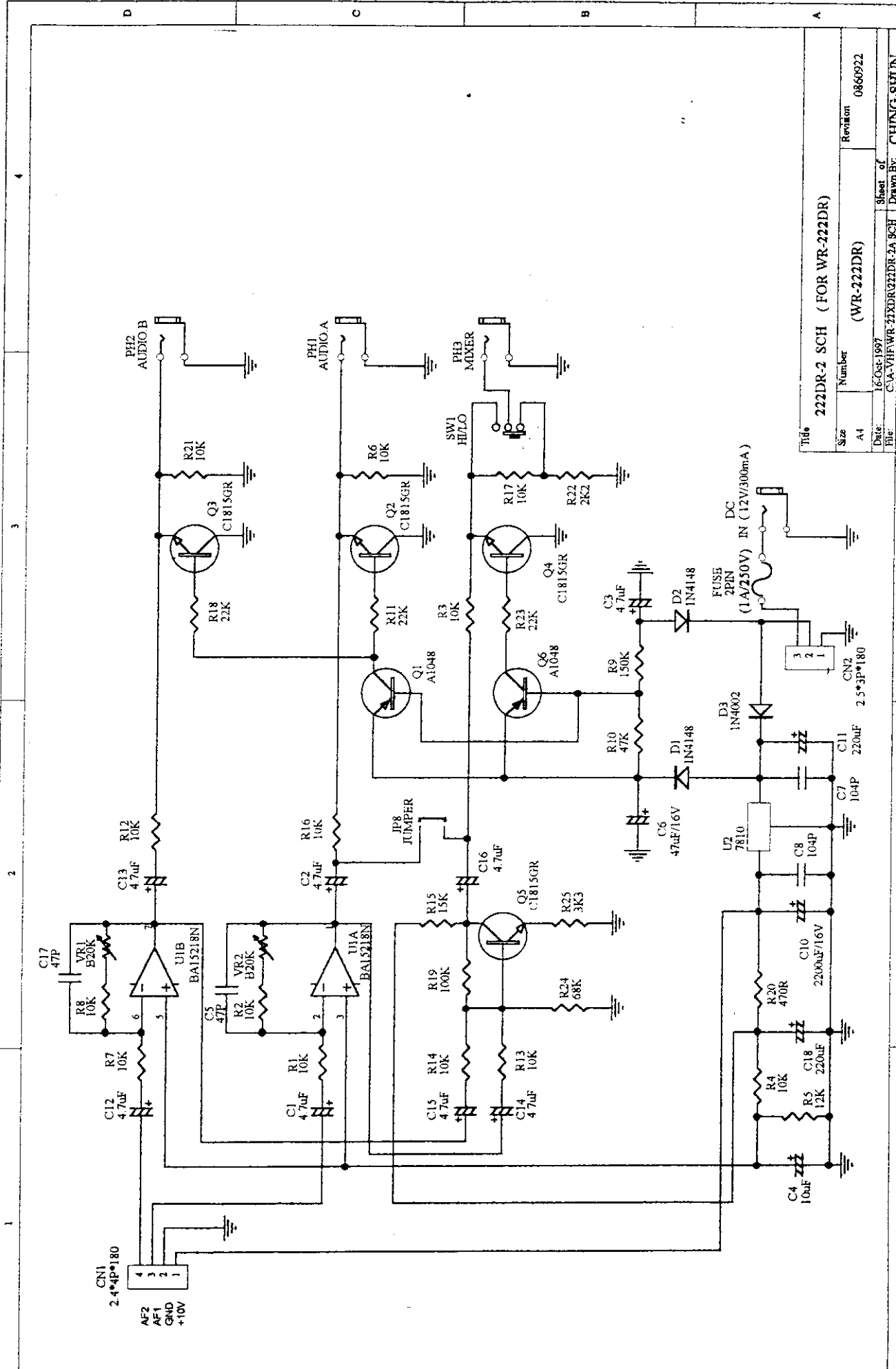


222DR-1b PCB Solder Mask



222DR-1b PCB Top Overlay





|   |            |          |         |
|---|------------|----------|---------|
| Title   |            |          |         |
| 222DR-2 SCH (FOR WR-222DR)                        |            |          |         |
| Size  | Number     | Revision |         |
| A4  | (WR-222DR) |          | 0860922 |
| Date: 16 Oct 1997                                 |            |          |         |
| Sheet of 1  |            |          |         |
| File: CIA-VHWWR-222DR-2A SCH Drawn By: CHING-SHUN |            |          |         |