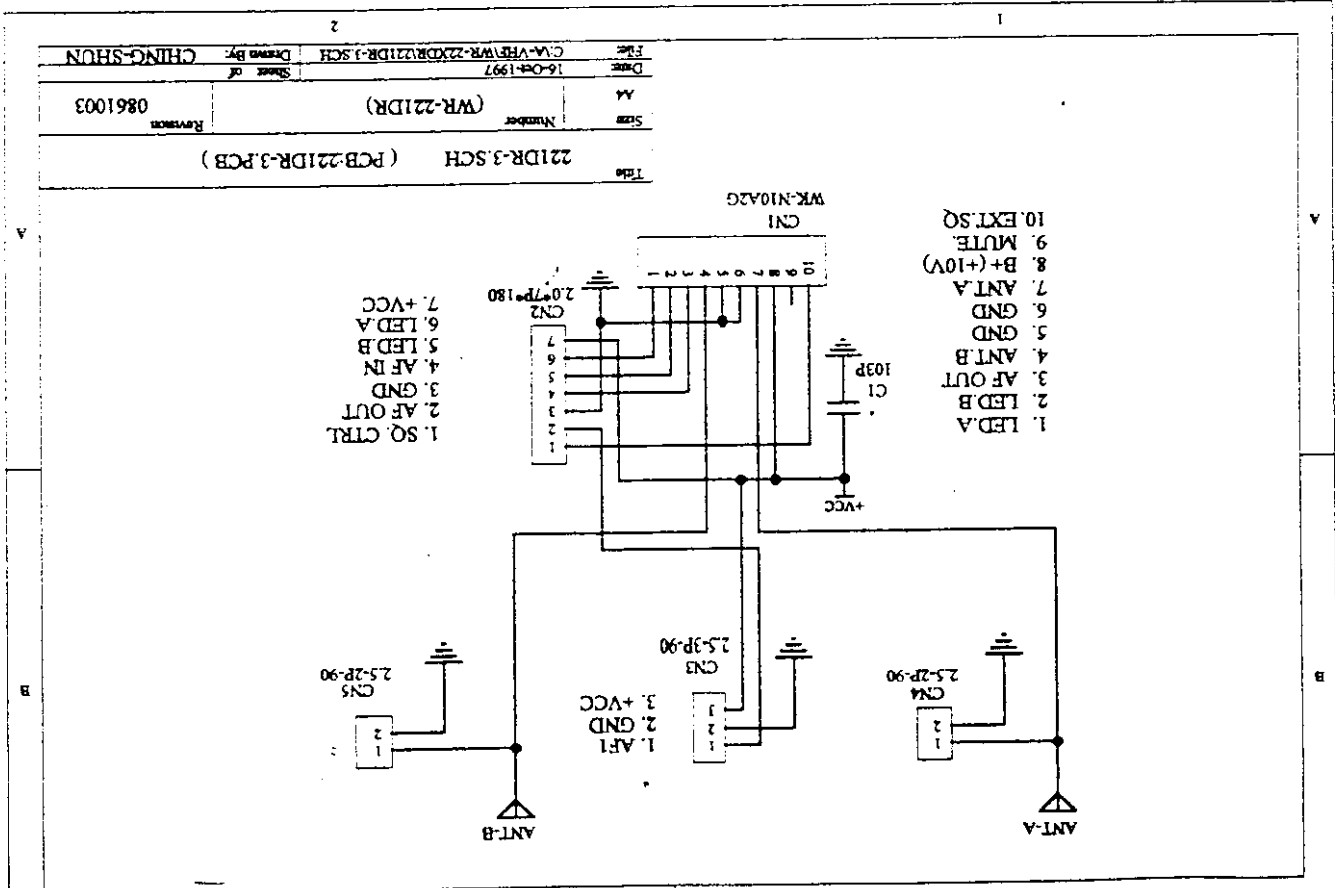
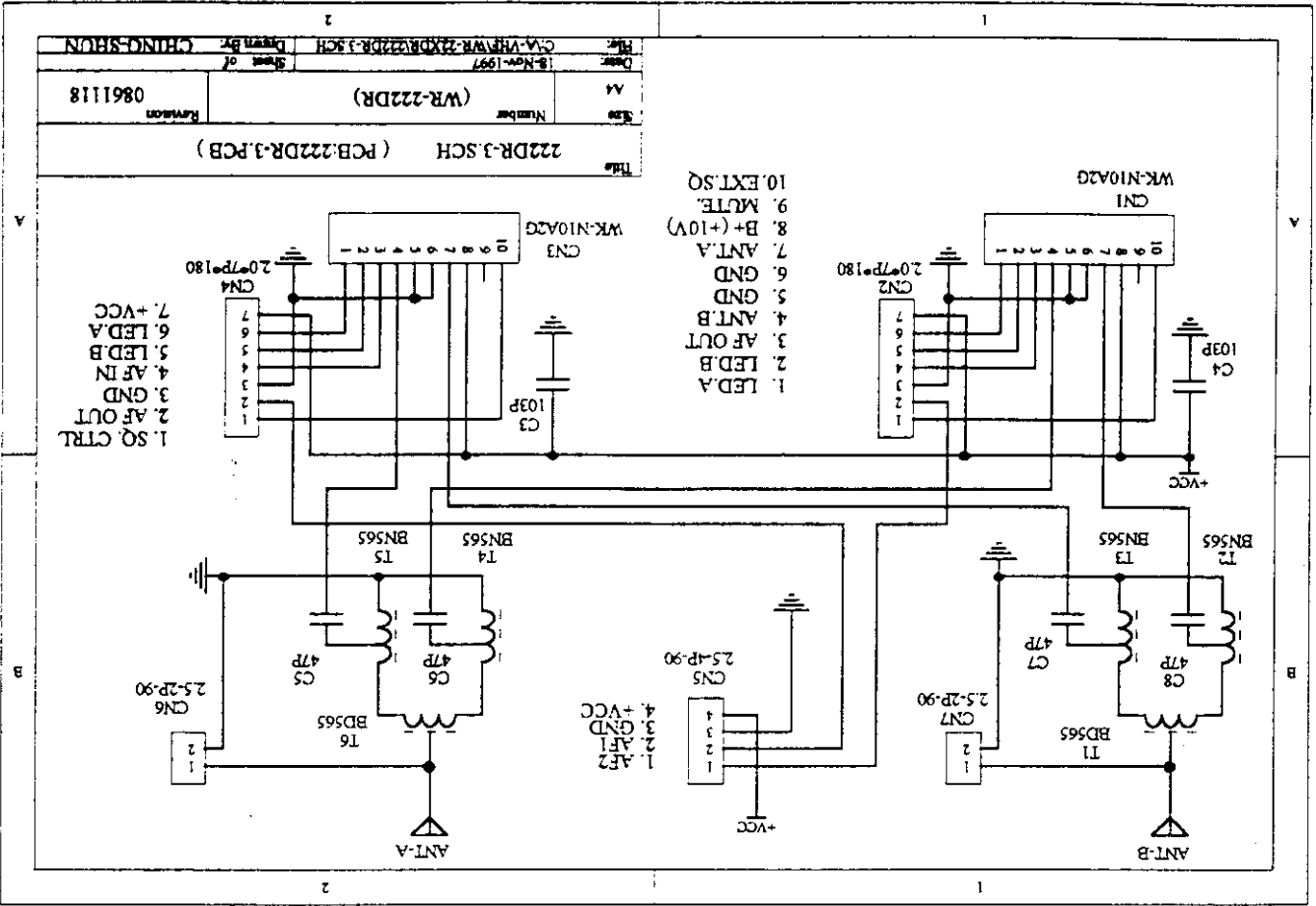
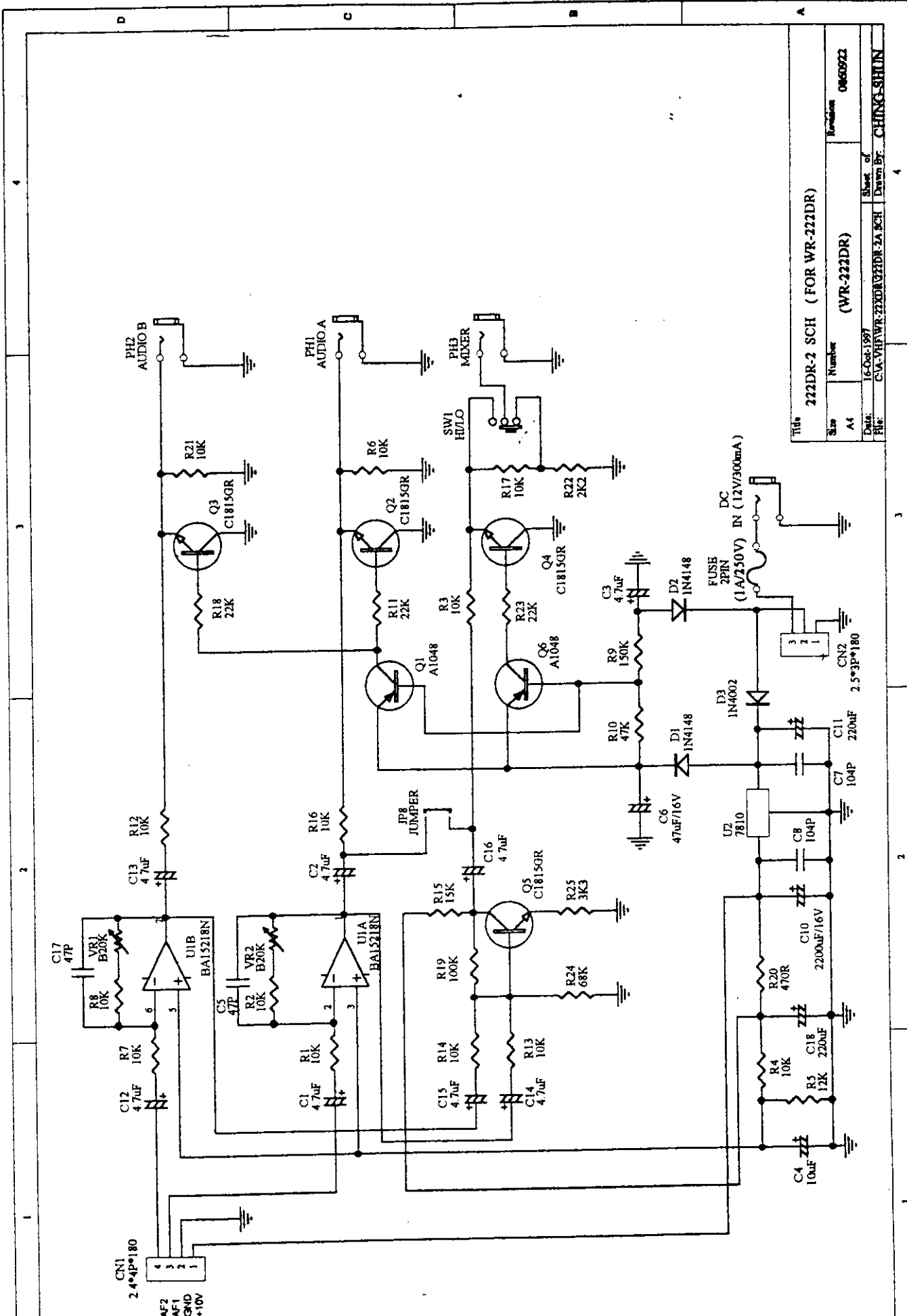


EXHIBIT D
Circuit Diagram

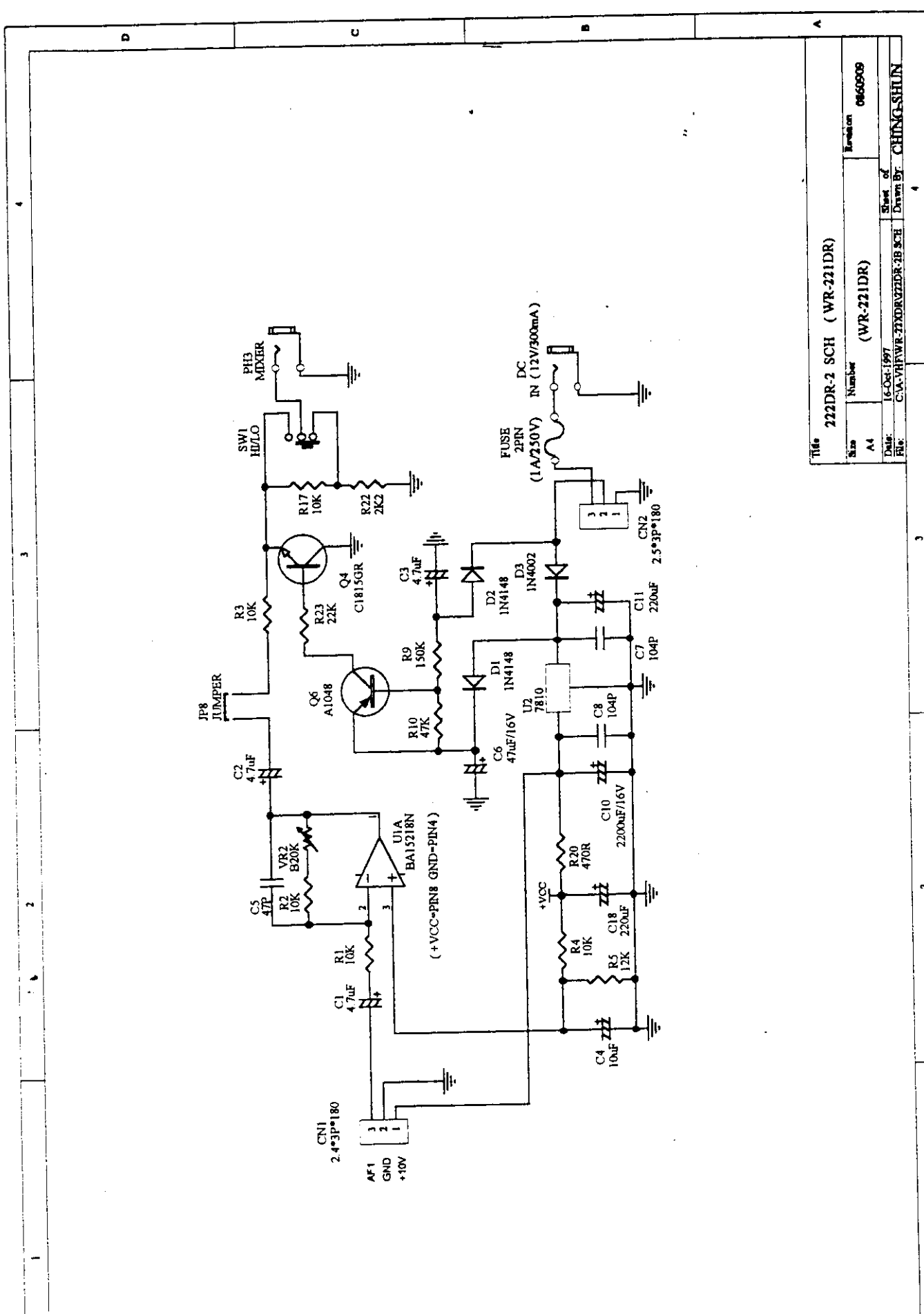




Title		222DR-2 SCH (FOR WR-222DR)	
Size	A4	Revision	0650922
Date:	16-Oct-1997	Sheet of	4
File:	C:\A-V\WR-222DR\222DR-2A SCH	Drawn By:	CHING-SHUN

1 2 3 4

1 2 3 4



Title		222DR-2 SCH (WR-221DR)	
Size	Number	Revision	0860909
A4	(WR-221DR)		
Date:	16-Oct-1997		
File:	C:\A-VHF\WR-222DR\222DR-2B SCH		
Drawn By:		CHING-SHUN	