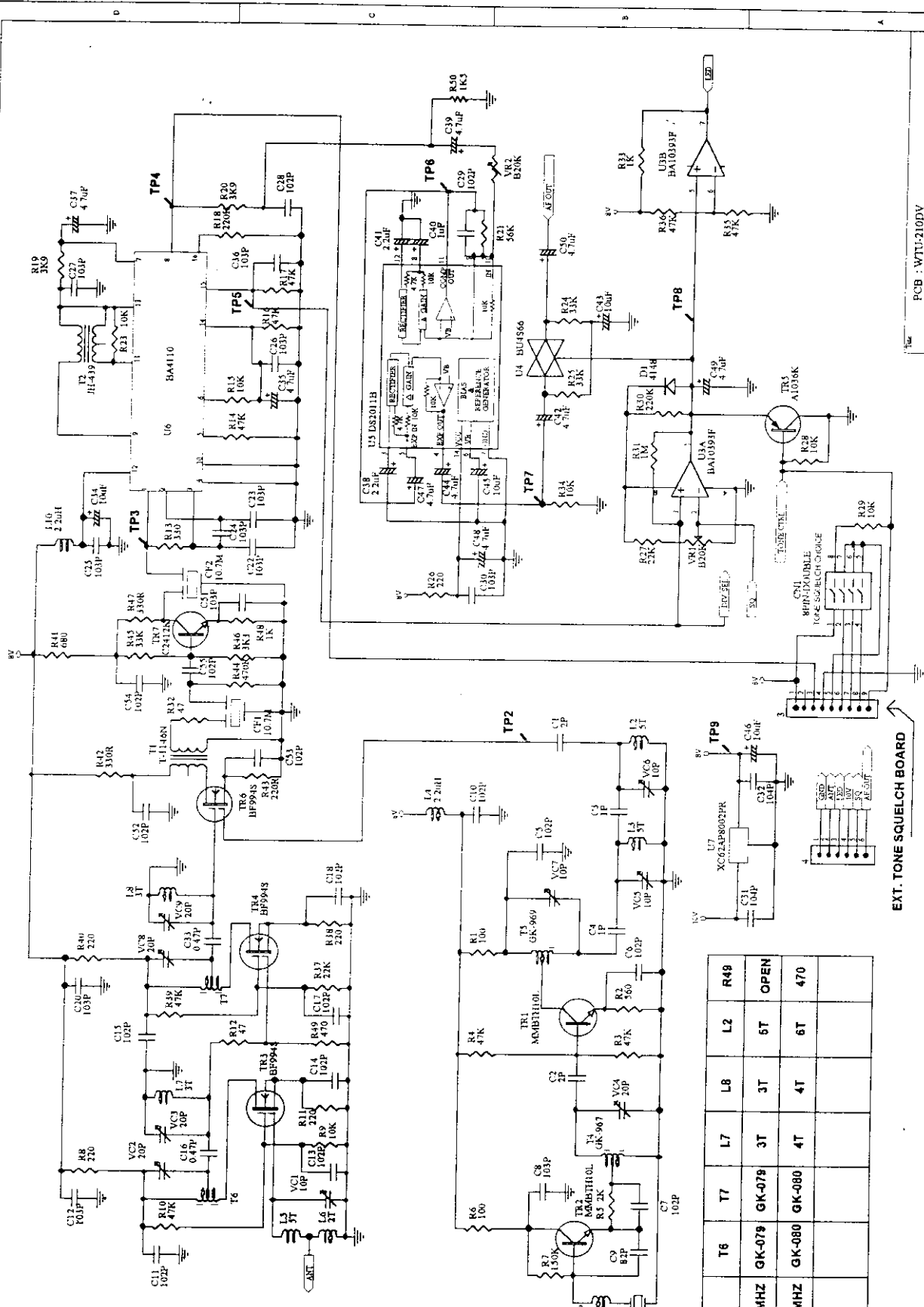


EXHIBIT D

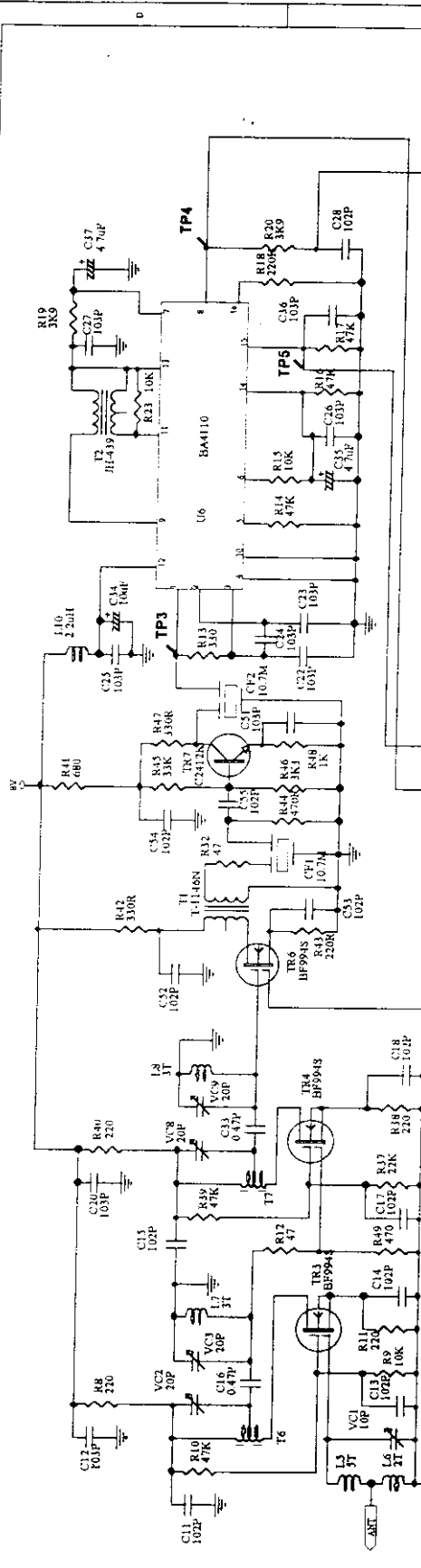
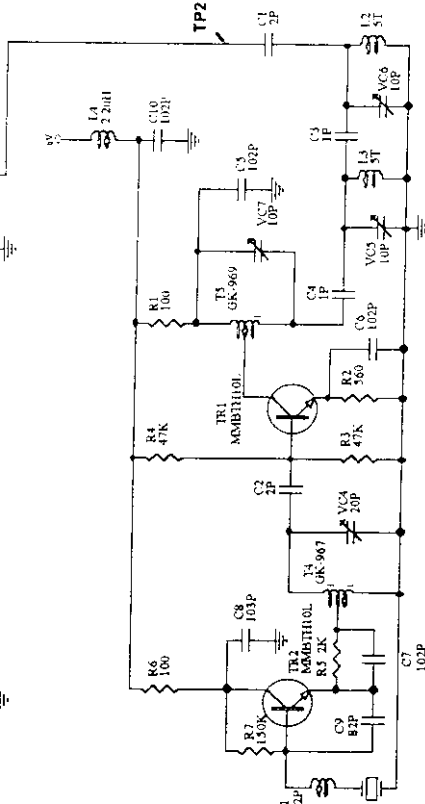
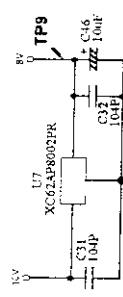
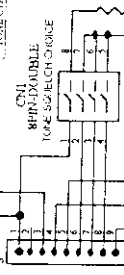
Circuit Diagram

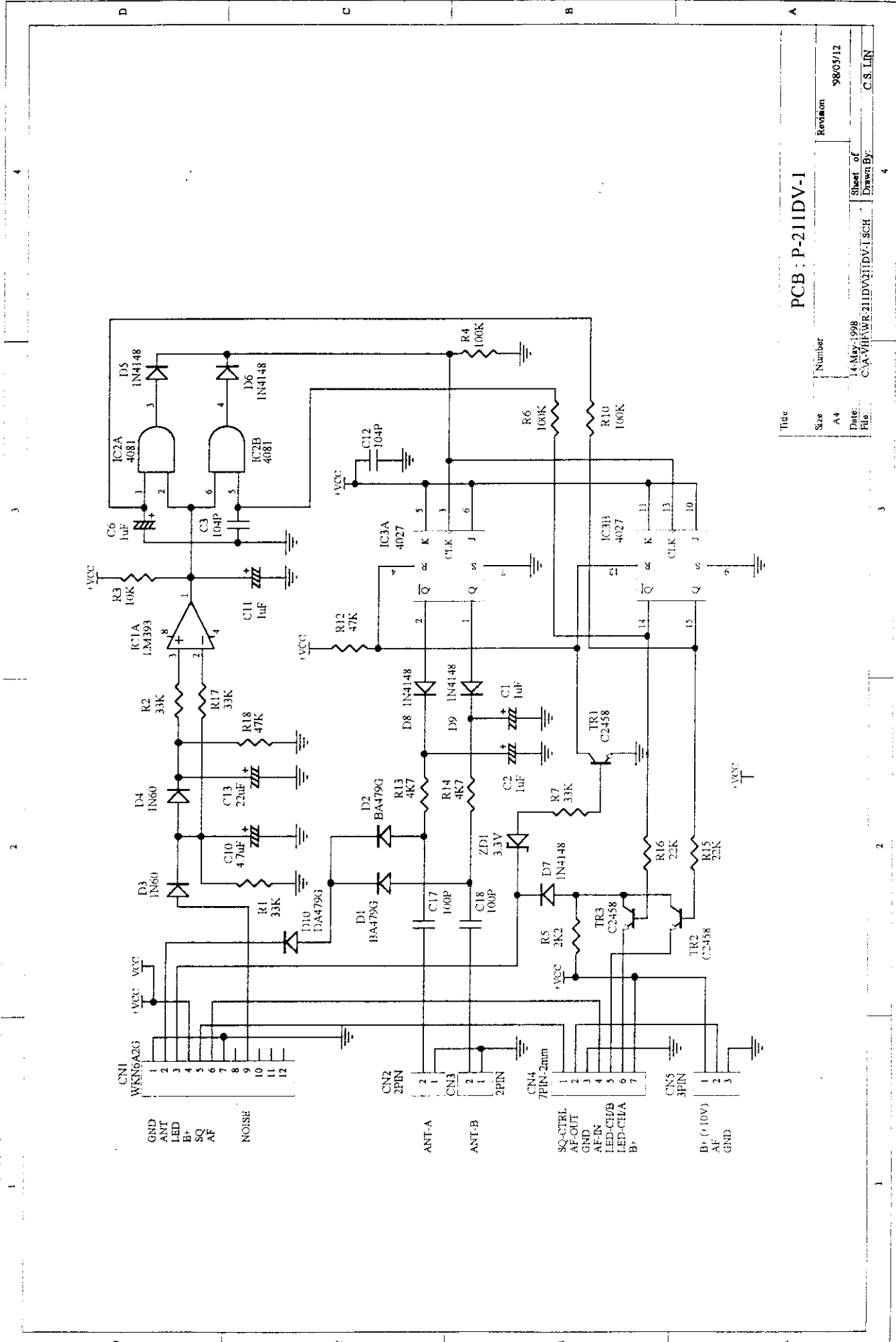


PCB : WTU-210DV
 Name :
 Number : P-668R2(WTU211DV).SCH
 Date : 19 May 1998
 File : C:\VFPWE\110V668R2.DV.SCH
 Sheet 7
 Drawn By : C.S. LIN

T6	T7	L7	L8	L8	R48
GK-079	GK-079	3T	3T	5T	OPEN
GK-080	GK-080	4T	4T	6T	470

EXT. TONE SQUELCH BOARD





Title	PCB : P-211DV-1
Size	A4
Date	14-May-1998
File	C:\A-VHF\WR-211DV\211DV-1.SCH
Number	98/05/12
Revision	C.S. LIN
Sheet of	4
Drawn By	

1

2

3

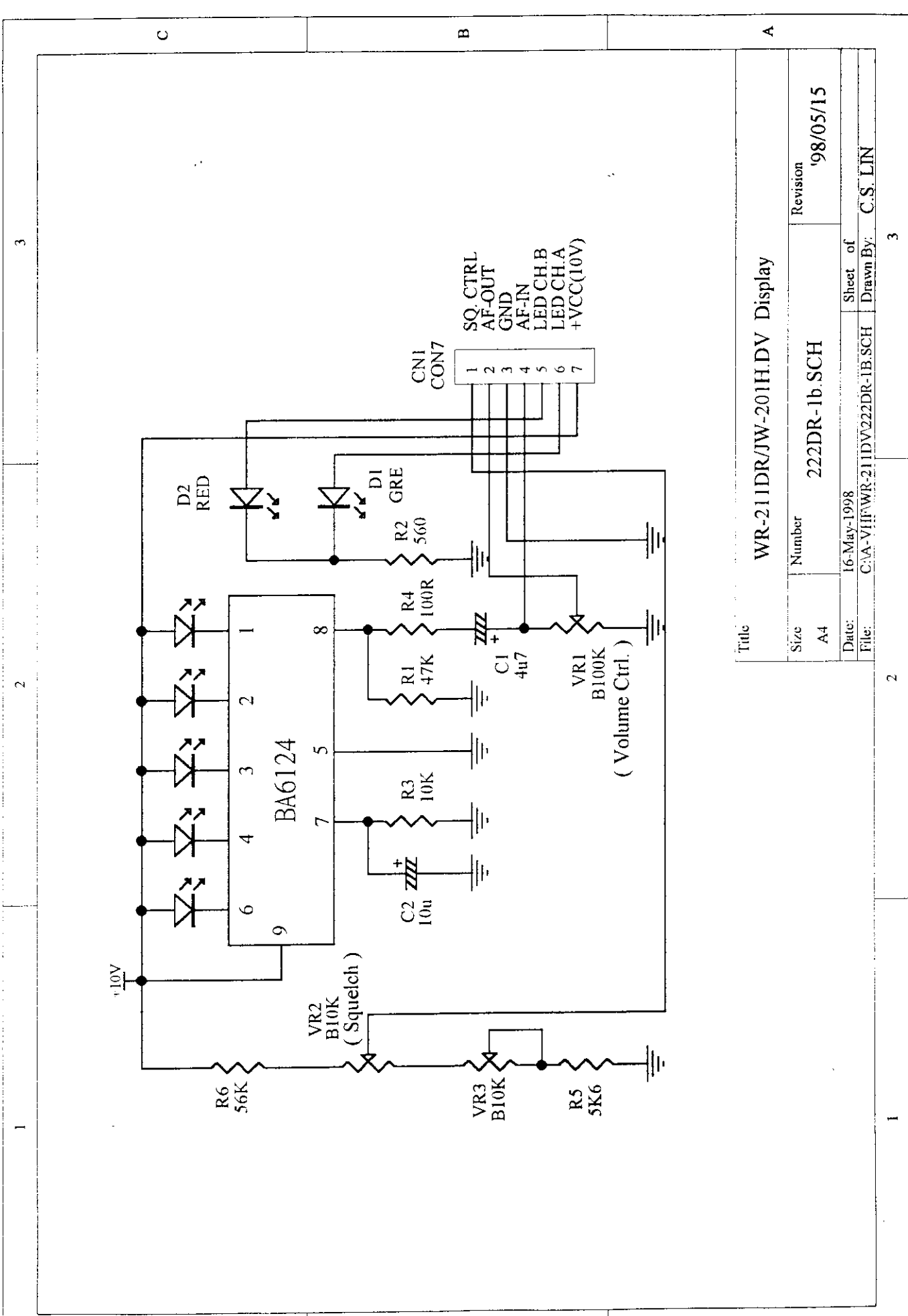
4

1

2

3

4



Title		WR-211DR/JW-201H.DV Display	
Size	Number	Revision	Sheet of
A4	222DR-1b.SCH	'98/05/15	3
Date:	File:	Drawn By:	
16-May-1998	C:\A-VII\WR-211DV\222DR-1B.SCH	C.S. LIN	