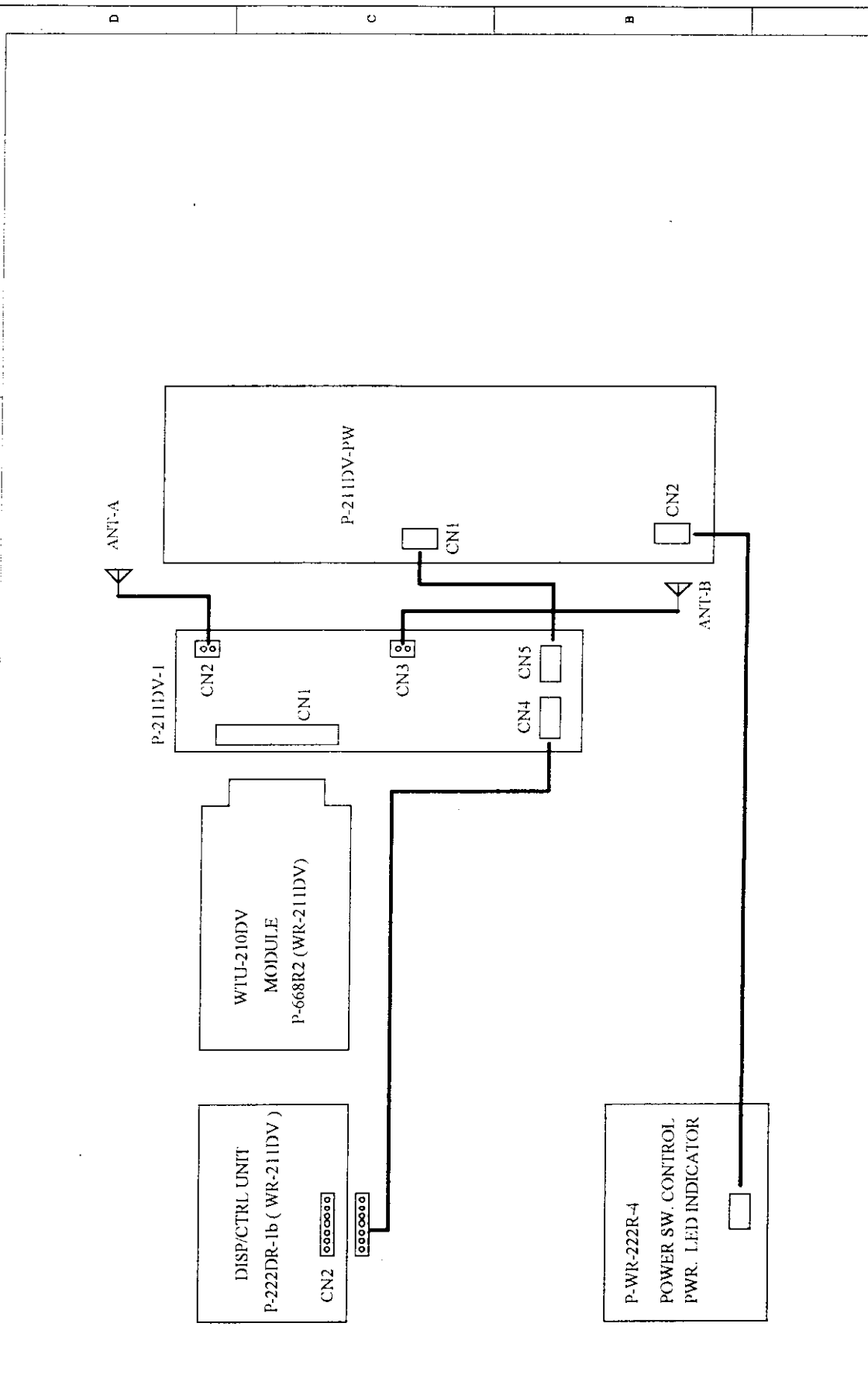


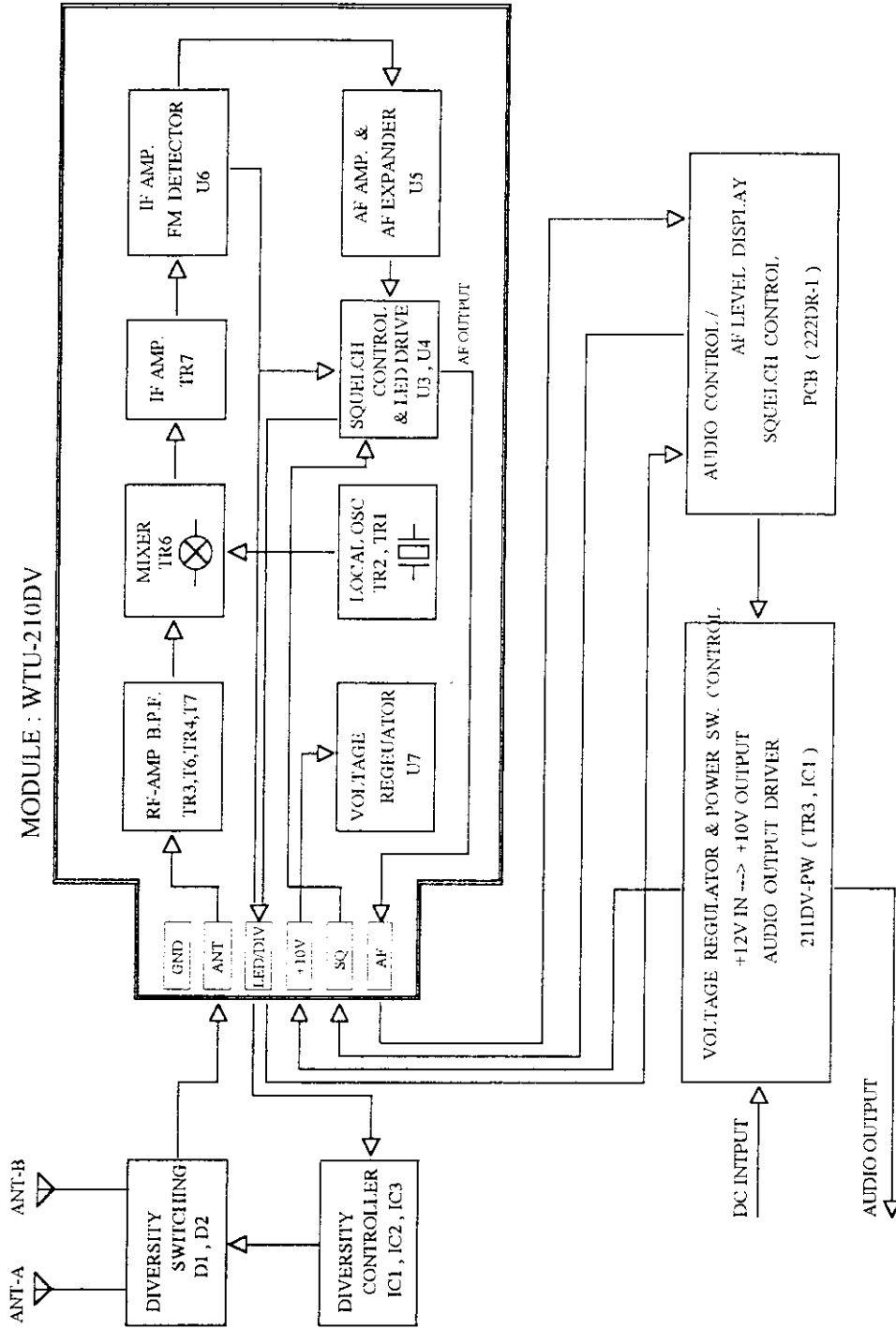
***EXHIBIT E***

***Block Diagram***



Title		WR-211DV 接線圖	
Size	Number	Revision	98/05/19
A4			
Date	19 May 1998	Sheet of	
File	C:\A\1\WR-211DV\211DV-1.W211DV	Drawn BY	C.S. LIN

MODULE : WTU-210DV



WR-211DV BLOCK DIAGRAM

Title	WR-211DV BLOCK DIAGRAM		
Size	Number	Revision	
A4		98/05/18	
Date	19 May 1998		
File	C:\A-VHF\WR-211DV\211DV-1\BLOCK.DWG		
Sheet of	4		
Drawn By	C. S. LIN		