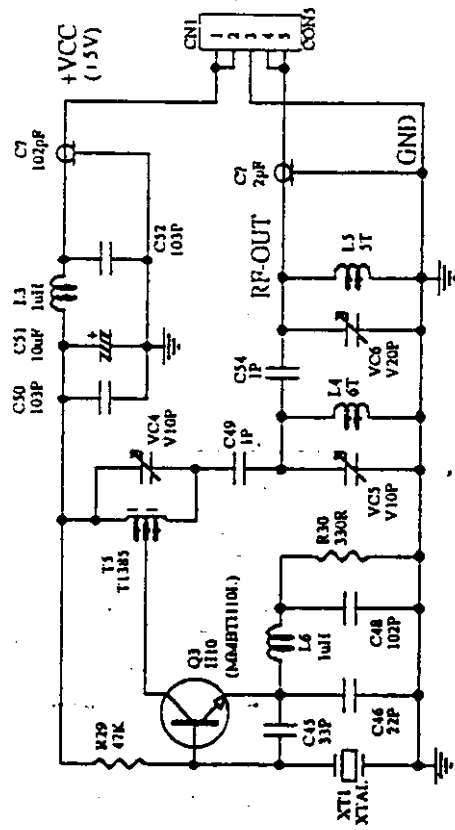


EXHIBIT D

Circuit Diagram

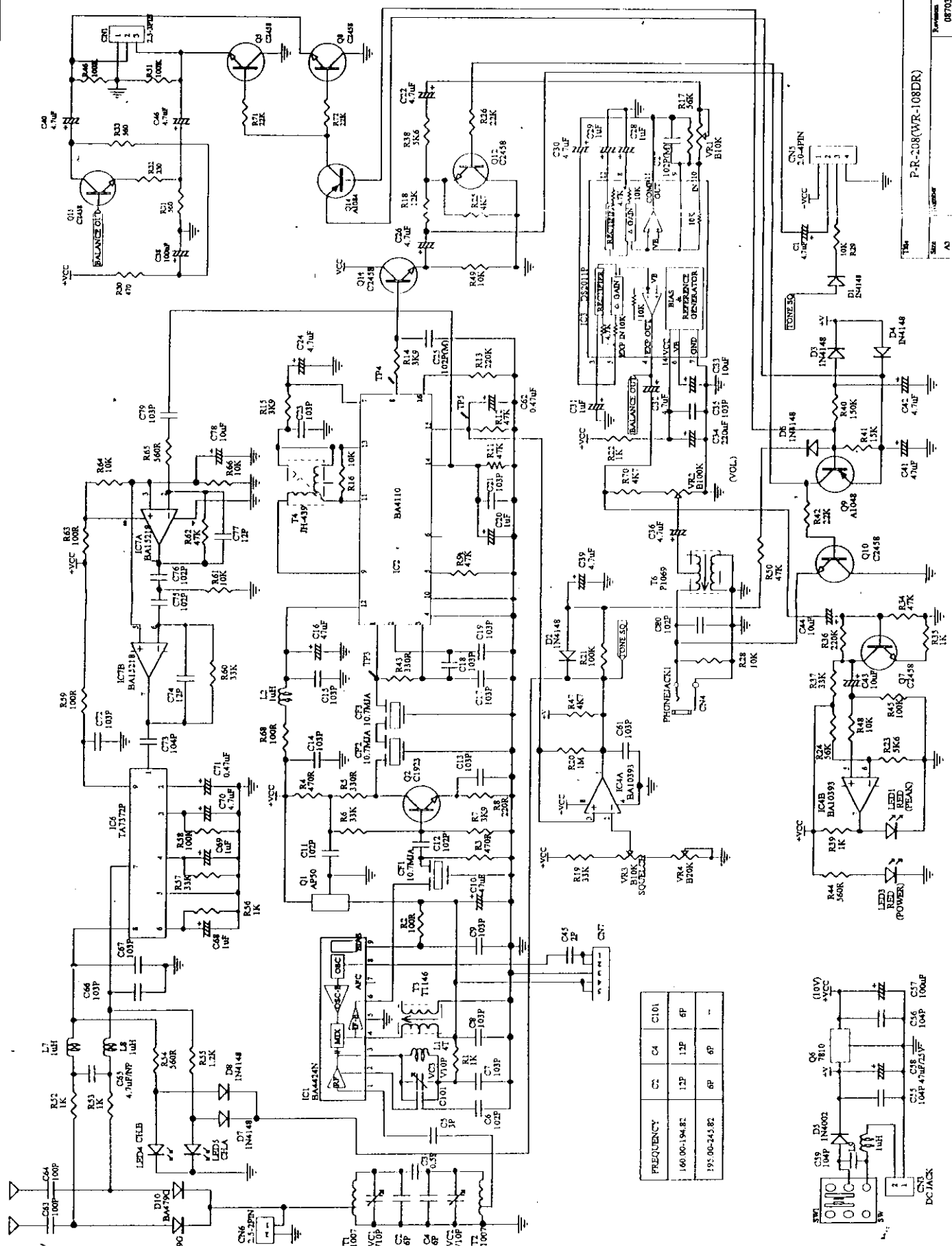


718 OSC97-1a.SCH

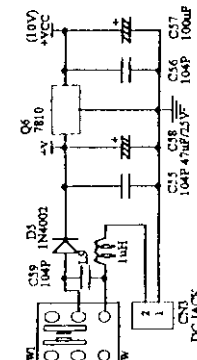
Size A4 Number 086008

Date 23 Oct 1997 Sheet of 1

File C:\V\F\ASSTO\OSC97\A.SCH Drawn BY CHINESHUN



FREQUENCY	C1	C4	C10
160.00-194.82	12P	12P	6P
195.00-245.82	6P	6P	-



P-R-208(WR-108DR)

REV	DATE	BY	CHKD	APPROVED
1	10/15/75	WJ	WJ	WJ

Part of
 P-R-208(WR-108DR) S-20
 Rev. 1.3