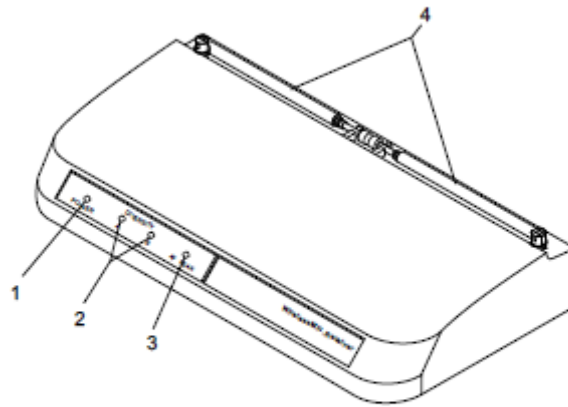


# Operation description

## NAME OF PARTS



1. Power ON Indicator.
2. Mic. ON Indicator.
3. Audio Peak Indicator.
4. Telescopic Antenna.

## INSTRUCTION MANUAL

### 1. Power Switch

Make sure the correct voltage. push this power switch once to turn on; If unit still fails to operate, Secure a qualified technician or contact us for a Return Authorization prior to Shipment. Disconnect power supply before removing receiver cover.

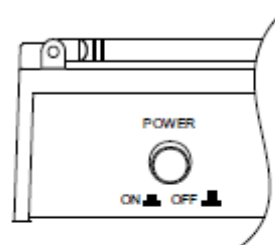


FIG.1

### 2. Power Supply Connection

Use DC power supply could switch with adaptor supply or batter of 12-18V DC. Connection DC supply, DC plug connection with "DC-IN" socket (see FIG2) another plug terminal connection with battery or power supply.

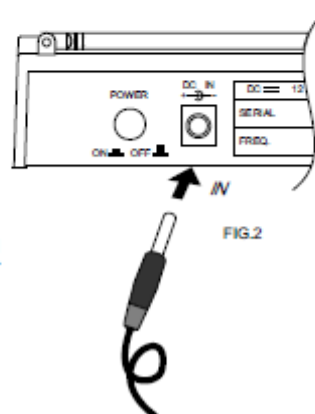


FIG.2

**5. Audio Output Connector**

You can connect an unbalanced audio cable with a 1/4 inch phone plug between this connector and your mixer or amplifier input.

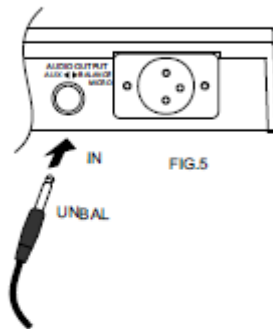


FIG.5

**6. Balance output XLR or CANNON Connection**  
Cable insert to balance socket output connecting with mixer or amplifier MIKE IN.

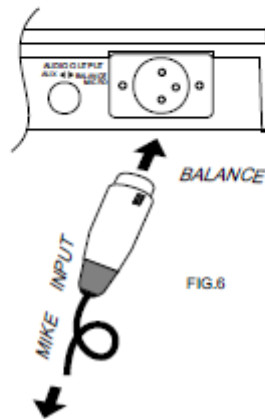


FIG.6

**Character :**

- VHF High band frequency by quartz locked controlled. Range from 174-216MHz.
- Compact, lightweight, single-channel receiver.
- LED Indicator (Power , Diversity (A--B) , AF Peak) and telescopic antenna.
- Comander circuit for expending dynamic range.
- Special circuit design to delete microphone switch ON/OFF noise.
- Audio output connect with XLR balanced and mono phone jack unbalanced.

**Specifications :**

Reception mode	Diversity. model
Frequency band	VHF HI-Band 174-216MHz
Frequency stability	± 0.005% /25° C
Modulation mode	FM (F3E)
Max. deviation	±40KHz, with limiting compressor
T.H.D.	<0.8%
Dynamic	>100dB
S/N Ratio	>80dB
Frequency response	50Hz-15KHz
Receiving mode	Quartz control fixed frequency
RF sensitivity	3uv for 20dB SINAD
Squelch	Noise control (External control)
Output connector	XLR Balanced 6.3mm (1/4") mono phonejack unbalanced.
Power supply	DC 12V ~ 18V 300mA With AC/DC adaptor
Dimensions	202 X 114 X 40(H) mm
Net Weight	Approx. 510g