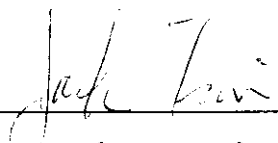
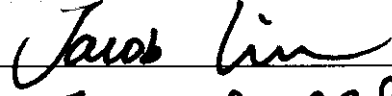



EXHIBIT B

Test Report

Report No.	S0715648
Specifications Test Method	FCC Part 15 - Notification ANSI C63.4 1992
Applicant address	23, Lane 2, Jing Wu Road, Taichung, Taiwan
Applicant Items tested Model No.	Sekaku Electron Industry Co., Ltd. WIRELESS MICROPHONE RECEIVER WR-108DR
Results Sample received date	As detailed within this report 06/15/1998 (month / day / year)
Prepared by	 project engineer
Authorized by	 Vice General Manager (Jacob Lin)
Issue date	 (month / day / year) June 29, 1998
Modifications	None
Tested by	Training Research Co., Ltd.
Office at	2F, No. 571, Chung Hsiao E. Road, Sec.7, Taipei, Taiwan
Open site at	No. 5-3, Lane 21, Yen Chiu Yuan Rd., Sec.4, Taipei Taiwan

Conditions of issue:

- (1) This test report shall not be reproduced except in full, without written approval of TRC. And the test result contained within this report only relate to the sample submitted for testing.**
- (2) This report must not be used by the client to claim product endorsement by NVLAP or nay agency of U.S. Government.**

★ FCC ID : H38WR-108DR

Contents

Chapter 1 Introduction

Description of EUT	3
Configuration of Test Setup.....	4
List of Support Equipment.....	5

Chapter 2 Conducted Emission Test

Test Condition and Setup	6
Conducted Test Placement	7

Chapter 3 Radiated Emission Test

Test Condition and Setup	8
Radiated Test Placement.....	9

Appendix A:

Conducted test result	10
-----------------------------	----

Appendix B:

Radiated test result	13
----------------------------	----

Chapter 1 Introduction

Description of EUT:

These products are professionally designed wireless microphone and receiver system made-up of diverse circuit. It can receive frequency range from 174 MHz to 216 MHz. This microphone is a one channel and worn by a performer and other participants in a program, filming, reporting etc.

Connection of EUT:

- (1)Connect the EUT's audio output to guitar amplifier by an audio cable.
- (2)Plug the adapter into the EUT.
- (3)Pull out the antenna vertically.

Test method:

There are three EUTs tested which are operated at 174.1, 194.82 and 214.82 MHz separately. Turn on the receiver and the speaker. There is a signal generator connected with a field probe, which can transmit the receiving frequency, put near the EUT . The test data also showed three EUT's emission.

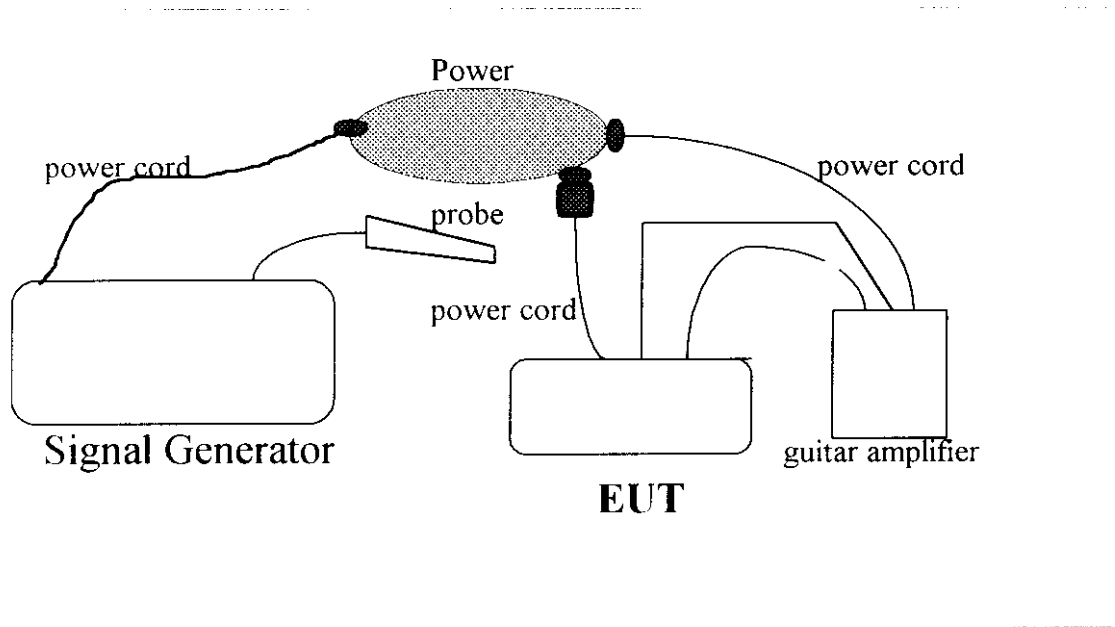
(If the emission is close to the ambience, the resolution BW and view resolution will be reduced and the data will be recorded by detection of maximum hold peak mode.)

Statement of transition provision for compliance with the rules

The EUT receives the signal which only send from the wireless microphone. The EUT won't be influenced by the transition provision, it will be continue to comply with the regulations of the FCC Part 15. (The relative wireless microphone FCC ID: H38VXM-198TS).

The testing configuration of test setup is showing in the next page.

Configuration of test setup



Connections:

- * The Adapter 120Vac/15Vdc,400 mA, 190 cm long, non-shielded.
- * The Audio cable dual head, 160 cm, non-shielded.
- * The Audio cable dual Metal head, 86 cm, shielded.

List of support equipment

Conducted (Radiated) test:

Guitar Amplifier: Dragon (KIKUTANI MUSIC COL, LTD.)

Model No. : GA-20
Power type : 110vac 60Hz
Power code : Non-shield, 1.2m long

Field Probe : HP Field Probe 30MHz~1GHz

Model No. : HP11940A
Serial No. : 2650A03038

Signal Generator: HP 9KHz~4000MHz

Model No. : 8648D
Serial No. : 3613A00117
Power type : 110vac 60Hz
Power cord : Non - Shielded

Chapter 2 Conducted emission test

Test condition and set up:

All the equipment is placed and setup according to the ANSI C63.4 - 1992. The EUT is assembled on a wooden table which is 80 cm high, is placed 40 cm from the back-wall which is a vertical conducting plane. One LISN is for EUT, the other LISN is for support equipment. They are all placed on the conductive ground. The EUT's LISN is connected to a line switch box for selecting L1 or L2, then connect to a preamplifier and spectrum.

The spectrum scans from 450KHz to 30MHz. Conducted emission levels are detected at max. peak mode. But if the max. peak mode failed, it will be measured by CISPR's quasi-peak detection mode.

While testing, there is a worst-emission plot printed at peak detection mode, and there are more than 6 highest emissions relative to limit recorded. The plot is kept as the original data, not included in test report.

List of test Instrument:

Instrument Name	Model No.	Brand	Serial No.	Calibration Date	
				Last time	Next time
Spectrum analyzer	8591EM	H P	3619A00821	08/29/97	08/29/98
LISN (EUT)	3825/2	EMCO	9411-2284	05/15/98	05/15/99
LISN (Support E.)	3825/2	EMCO	9210-2007	05/15/98	05/15/99
Preamplifier	8447F	H P	2944A03706	05/13/98	05/15/99
Line switch box	AC1-003	TRC	-----	05/15/98	05/15/99
Line selector	AC1-002	TRC	-----	05/15/98	05/15/99

The level of confidence of 95%, the uncertainty of measurement of conducted emission is ± 2.4 dB.

Test Result : Pass (Appendix A)

Chapter 3 Radiated emission test

Test condition and set up:

Pretest: Prior to the final test (OATS test), the EUT is placed in a shielded enclosure, GTEM, and scan from 30MHz to 1GHz. This is done to ensure the radiation exactly emits from the EUT.

Final test: Final radiation measurements is made on a **3 - meter, open-field** test site. The EUT is placed on a nonconductive table which is 0.8 m height, the top surface is 1.0 x 1.5 meter. All the placement is according to ANSI C63.4 - 1992.

The spectrum is examined from 30 MHz to 1000 MHz measured by HP spectrum.

The EMCO whole range Antenna is used to measure frequency from 30 MHz to 1GHz. The final test is used the spectrum HP 8594EM.

Measure more than six top marked frequencies generated from pretest by computer step by step at each frequency. The EUT is rotated 360 degrees, and antenna is raised and lowered from 1 to 4 meter to find the maximum emission levels. The antenna is used with both horizontal and vertical polarization.

Appropriated preamplifier which is made by TRC is used for improving sensitivity and precautions is taken to avoid overloading. The spectrum analyzer's 6dB bandwidth is set to 120 K Hz, and the EUT is measured at quasi-peak mode.

If the emission is close to the frequency band of ambience, the data will be rechecked by the tester and the corrected data will be written in the test data sheet. If the emission is just within the ambience, the data from GTEM will be taken as the final data.

List of test Instrument:

Instrument name	Model No.	Brand	Serial No.	Calibration Date	
				Last	Next
Spectrum analyzer	8568B	H P	3004A18617	05/15/98	05/15/99
Quasi-peak Adapter	85650A	H P	2521A00984	05/15/98	05/15/99
RF Pre-selector	85685A	H P	2947A01011	05/15/98	05/15/99
Spectrum analyzer	8594EM	H P	3619A00198	08/07/97	08/07/98
Antenna (30M-2G Hz)	3142	EMCO	9610-1094	10/30/97	10/30/98
Open test side (Antenna, Amplify, cable calibrated together)				05/15/98	05/15/99

The level of confidence of 95%, the uncertainty of measurement of radiated emission is ± 4.96 dB.

Test Result: Pass (Appendix B)

Appendix A**Conducted Emission Test Result (Frequency 174.1 MHz)**

Testing room: Temperature . 25 ° C Humidity: 60 % RH

Line 1

Frequency (MHz)	Amplitude (dBuV)	Limit (dBuV/m)	Margin (dB)
0.450	37.90	48	-10.10
1.189	21.73	48	-26.27
2.001	17.13	48	-30.87
23.061	20.64	48	-27.36
23.499	22.23	48	-25.77
24.009	27.83	48	-20.17
25.103	20.53	48	-27.47
25.831	20.29	48	-27.71
27.433	19.83	48	-28.17
27.869	19.11	48	-28.89

Line 2

Frequency (MHz)	Amplitude (dBuV)	Limit (dBuV)	Margin (dB)
0.450	38.43	48	-9.57
1.189	20.86	48	-27.14
22.040	17.93	48	-30.07
23.134	19.18	48	-28.82
23.353	21.87	48	-26.13
24.009	27.45	48	-20.55
25.030	21.60	48	-26.40
25.613	19.19	48	-28.81
27.215	20.34	48	-27.66
27.797	18.92	48	-29.08

(Frequency 194.82 MHz)

Line 1

<i>Frequency (MHz)</i>	<i>Amplitude (dBuV)</i>	<i>Limit (dBuV/m)</i>	<i>Margin (dB)</i>
0.450	40.22	48	-7.78
1.189	23.08	48	-24.92
2.001	16.33	48	-31.67
21.383	18.34	48	-29.66
23.134	19.99	48	-28.01
23.572	22.07	48	-25.93
24.009	25.83	48	-22.17
24.884	20.21	48	-27.79
27.142	20.39	48	-27.61
27.651	18.91	48	-29.09

Line 2

<i>Frequency (MHz)</i>	<i>Amplitude (dBuV)</i>	<i>Limit (dBuV)</i>	<i>Margin (dB)</i>
0.598	37.10	48	-10.90
1.262	22.32	48	-25.68
2.001	18.12	48	-29.88
19.264	17.72	48	-30.28
23.061	19.76	48	-28.24
23.791	21.65	48	-26.35
24.082	27.59	48	-20.41
25.248	20.22	48	-27.78
27.069	20.06	48	-27.94
27.578	18.13	48	-29.87

(Frequency 214.82 MHz)

Line 1

Frequency (MHz)	Amplitude (dBuV)	Limit (dBuV/m)	Margin (dB)
1.041	23.44	48	-24.56
1.189	17.26	48	-30.74
22.113	18.00	48	-30.00
22.988	18.54	48	-29.46
23.353	20.55	48	-27.45
24.009	27.42	48	-20.58
24.811	20.24	48	-27.76
25.658	20.07	48	-27.93
27.433	19.69	48	-28.31
27.578	20.21	48	-27.79

Line 2

Frequency (MHz)	Amplitude (dBuV)	Limit (dBuV)	Margin (dB)
1.041	25.87	48	-22.13
1.189	17.70	48	-30.30
11.571	15.66	48	-32.34
23.134	19.08	48	-28.92
23.426	21.95	48	-26.05
24.009	27.45	48	-20.55
25.103	20.20	48	-27.80
25.467	20.02	48	-27.98
27.360	19.71	48	-28.29
27.578	18.87	48	-29.13

Appendix B

Radiated Emission Test Result: (Frequency 174.1 MHz Horizontal)

Test Conditions:

Testing room : Temperature : 30 ° C Humidity: 67% RH

Testing site : Temperature: 34 ° C Humidity: 66 % RH

Frequency	Reading Amplitude	Ant. Height	Table	Correction Factors	Corrected Amplitude	Class B limit	Margin
MHz	DBuV	m	degree	dB/m	dBuV/m	dBuV/m	dB

163.410	50.93	4.00	245	-23.02	27.91	43.50	-15.59
217.870	40.58	1.00	271	-20.40	20.18	46.00	-25.82
326.810	33.82	1.00	295	-14.57	19.25	46.00	-26.75

Note:

1. Margin = Amplitude - limit, if margin is minus means under limit.
 2. Corrected Amplitude = Reading Amplitude - Correction Factors
 3. Correction factor = Antenna factor + (Cable Loss - Amplitude gain)
- (For example: 30MHz correction factor = 15.5 + (-15.26) = 0.24 dB/m)

Radiated Emission Test Result: (Vertical)

Frequency	Reading Amplitude	Ant. Height	Table	Correction Factors	Corrected Amplitude	Class B limit	Margin
MHz	dBuV	m	degree	dB/m	dBuV/m	dBuV/m	dB

163.410	53.92	4.00	314	-23.02	30.90	43.50	-12.60
217.870	39.68	1.00	251	-20.40	19.28	46.00	-26.72
326.810	36.80	1.00	22	-14.57	22.23	46.00	-23.77

Radiated Emission Test Result: (Frequency 194.82 MHz Horizontal)

Test Conditions:

Testing room : Temperature : 27 ° C Humidity: 65% RH

Testing site : Temperature: 32 ° C Humidity: 70 % RH

Frequency	Reading Amplitude	Ant. Height	Table	Correction Factors	Corrected Amplitude	Class B limit	Margin
MHz	dBuV	m	degree	DB/m	dBuV/m	dBuV/m	dB

68.510	39.46	3.02	198	-24.82	14.64	40.00	-25.36
137.020	35.63	1.00	165	-14.07	21.56	43.50	-21.94
205.530	60.73	1.00	60	-20.42	40.31	43.50	-3.19
274.030	40.00	1.00	207	-17.54	22.46	46.00	-23.54
411.050	46.57	3.02	283	-13.30	33.27	46.00	-12.73
548.060	35.47	1.00	141	-10.82	24.65	46.00	-21.35
822.090	41.42	3.02	289	-12.38	29.04	46.00	-16.96
890.600	55.01	1.00	49	-13.91	41.10	46.00	-4.90

Radiated Emission Test Result: (Vertical)

Frequency	Reading Amplitude	Ant. Height	Table	Correction Factors	Corrected Amplitude	Class B limit	Margin
MHz	dBuV	m	degree	dB/m	dBuV/m	dBuV/m	dB

68.510	40.43	1.00	7	-24.82	15.61	40.00	-24.39
137.020	36.99	1.00	18	-14.07	22.92	43.50	-20.58
205.530	60.07	1.00	263	-20.42	39.65	43.50	-3.85
274.030	37.36	3.02	105	-17.54	19.82	46.00	-26.18
411.050	52.66	3.02	83	-13.30	39.36	46.00	-6.64
548.060	37.35	3.02	310	-10.82	26.53	46.00	-19.47
822.090	42.79	3.02	45	-12.38	30.41	46.00	-15.59
890.600	59.02	1.00	286	-13.91	45.11	46.00	-0.89

Radiated Emission Test Result: (Frequency 214.82 MHz Horizontal)

Test Conditions:

Testing room : Temperature : 30 ° C Humidity: 63% RH

Testing site : Temperature: 34 ° C Humidity: 70 % RH

Frequency	Reading Amplitude	Ant. Height	Table	Correction Factors	Corrected Amplitude	Class B limit	Margin
MHz	dBuV	m	degree	dB/m	dBuV/m	dBuV/m	dB

69.140	37.16	1.00	207	-24.83	12.33	40.00	-27.67
75.170	39.10	3.01	25	-24.58	14.52	40.00	-25.48
118.710	34.24	3.01	194	-14.16	20.08	43.50	-23.42
225.530	54.14	1.00	256	-19.93	34.21	46.00	-11.79
451.050	39.61	1.00	213	-10.17	29.44	46.00	-16.56

Radiated Emission Test Result: (Vertical)

Frequency	Reading Amplitude	Ant. Height	Table	Correction Factors	Corrected Amplitude	Class B limit	Margin
MHz	dBuV	m	degree	dB/m	dBuV/m	dBuV/m	dB

69.140	46.67	1.00	154	-24.83	21.84	40.00	-18.16
75.170	40.20	1.00	181	-24.58	15.62	40.00	-24.38
118.710	48.59	1.00	215	-14.16	34.43	43.50	-9.07
225.530	54.13	1.00	109	-19.93	34.20	46.00	-11.80
451.050	41.42	1.00	12	-10.17	31.25	46.00	-14.75

Final statement:

This test report, measurements made by TRC are traceable to the NIST.