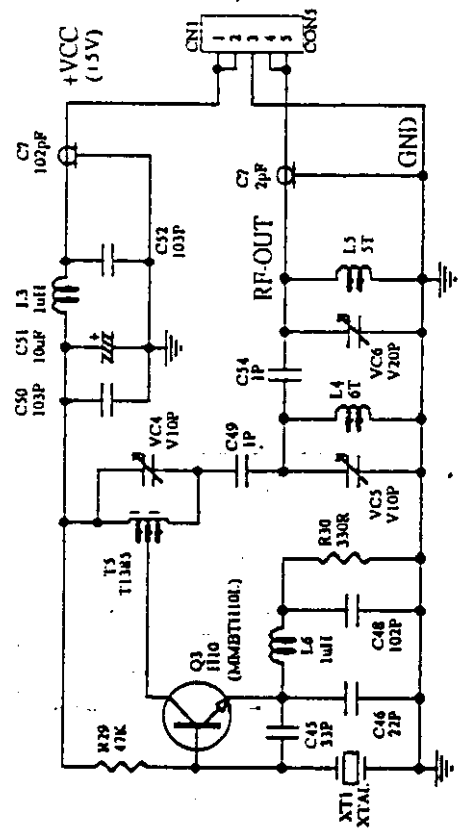


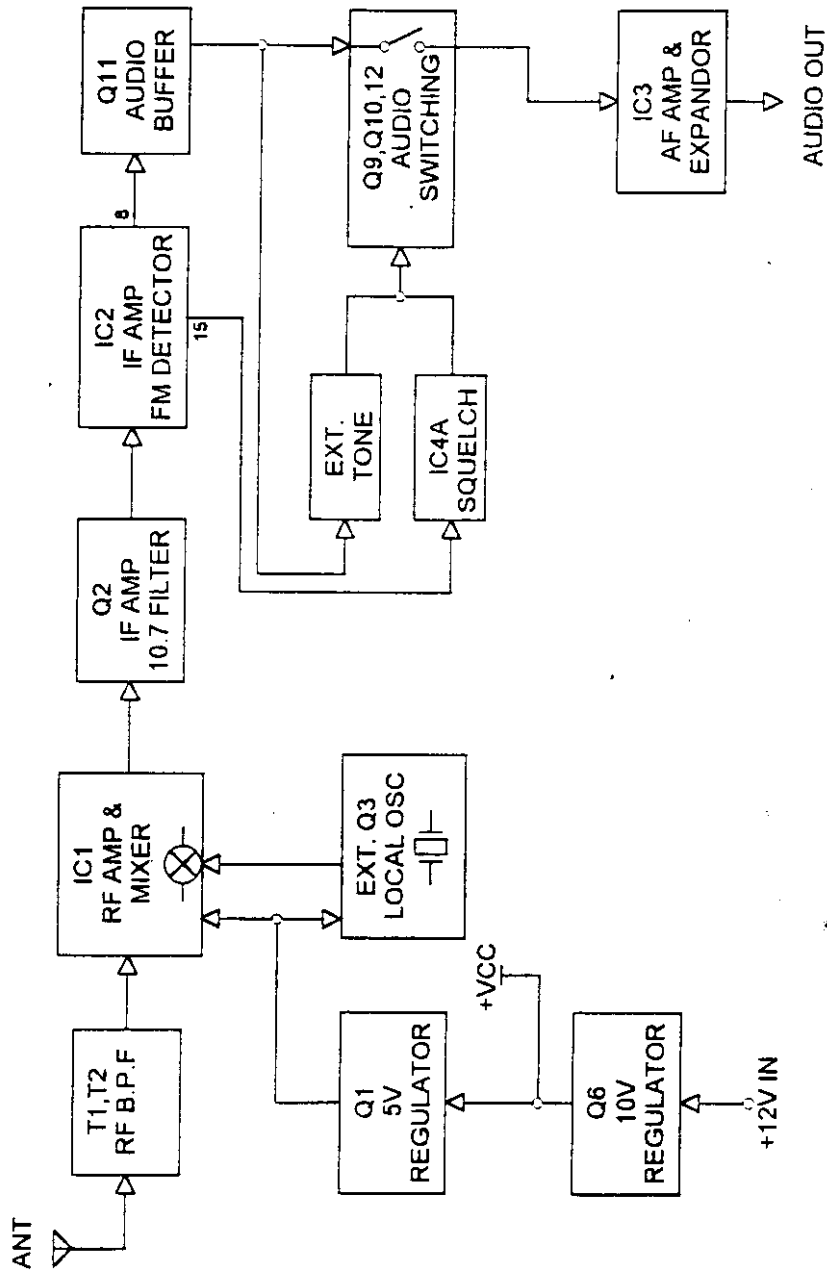
EXHIBIT E

Block Diagram



OSC97-1a.SCH

Size	Number	Revision
A1		0860808
Date:	27-Oct-1997	Sheet of
File:	C:\A:\V\F060808\OSC97-1A.SCH	Drawn By: CHINESEHUN



WR-106R BLOCK DIAGRAM

Title	WR-106R BLOCK DIAGRAM		
Size	Number	Revision	0870313
A4			
Date:	11-Mar-1998	Sheet of	1 of 4
File:	C:\MYDOCU\1機衡手冊\106R-BK SCH	Drawn By:	C. S. LIN