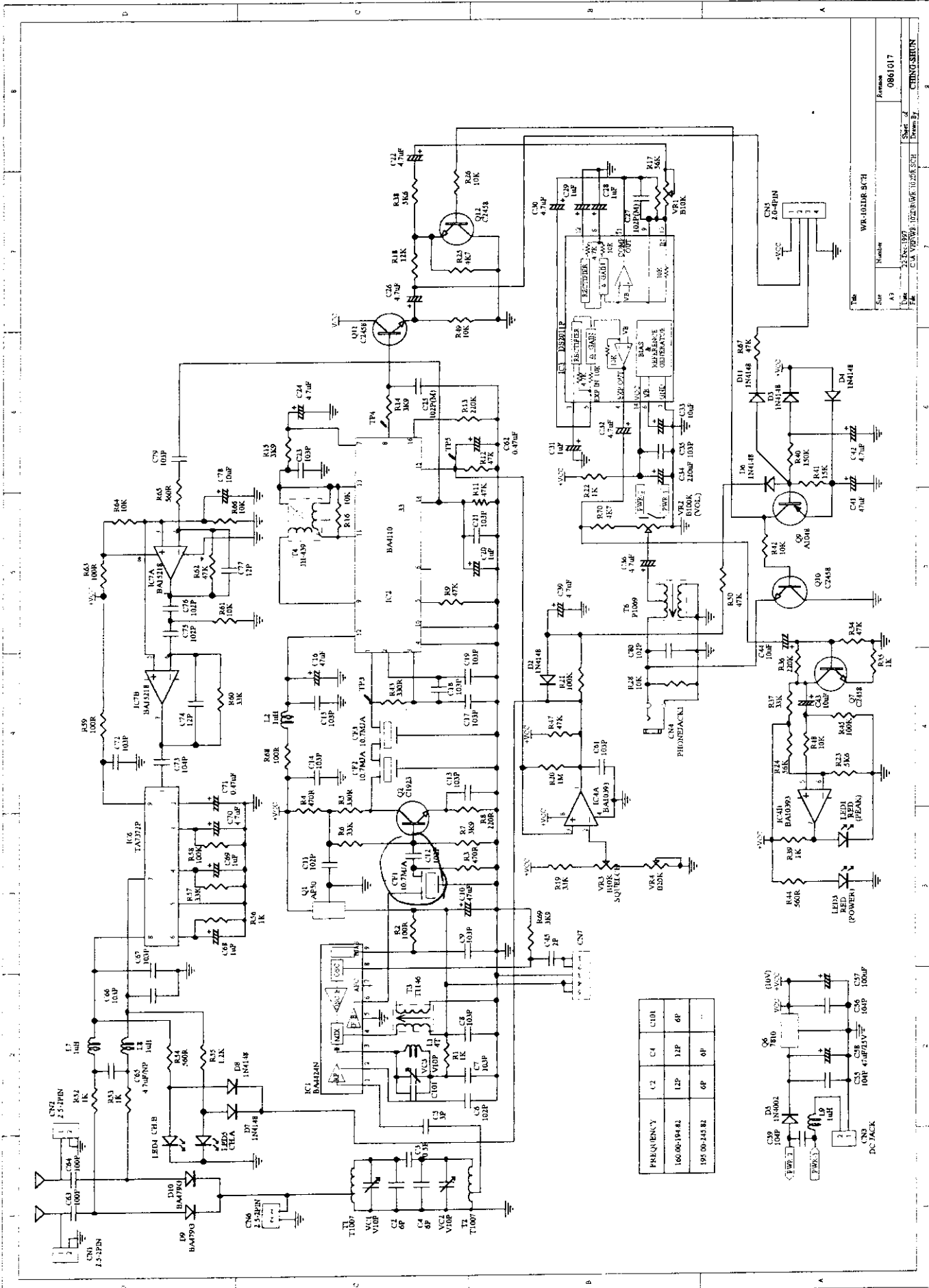
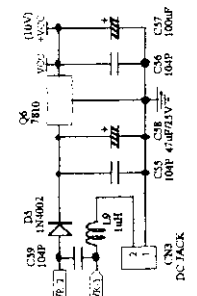


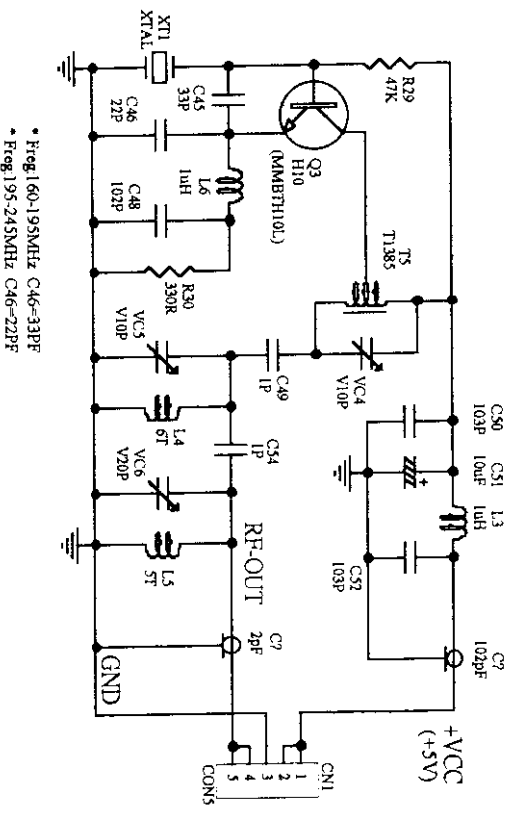
EXHIBIT D
Circuit Diagram



FREQUENCY	C2	C4	C101
160.00-194.82	1.2P	1.2P	6P
195.00-145.82	6P	6P	...



Title: WR-101DR-RCH
 Number: 0861017
 Date: 2-1987
 File: C:\A\VERVE\101DR\WR-101DR-RCH
 Drawn By: CHENG-SHION



* Freq:160-195MHz C46=33PF
 * Freq:195-245MHz C46=22PF

4

Title		OSC97-1A.SCH	
Size	Number	Date	Revision
A4		22-Dec-1997	0860808
File	C:\AVHF\OSC97\OSC97-1A.SCH		Drawn By: CHING-SHUN