

EXHIBIT C

User Manual

3. Power Supply Connection

Use DC power supply could switch with adaptor supply or batter of 12-18V DC. Connection DC supply, DC plug connection with "DC-IN" socket. (See FIG 3) another plug terminal connection with battery or power supply.

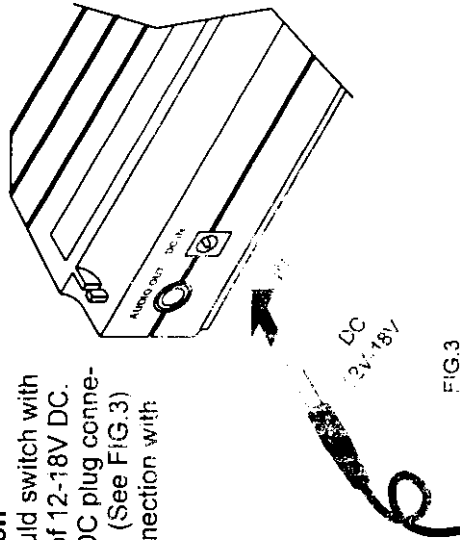


FIG 3

4. Power Switch / Volume Control

Rotate this knob control power ON /OFF and increase or decrease the volume of the receiver output. This control does not affect the AUDIO PEAK indicator.

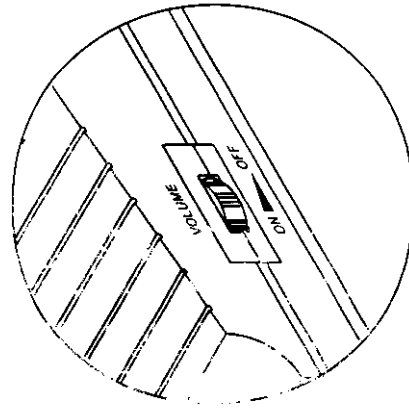


FIG 4

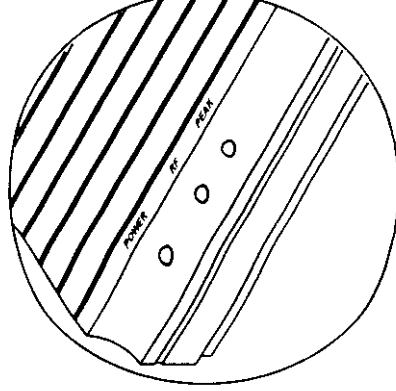


FIG 5

5. Indicator.

a. Power ON Indicator:

This red light glows when the DC supply and power Switch ON. It indicates that the receiver is on.

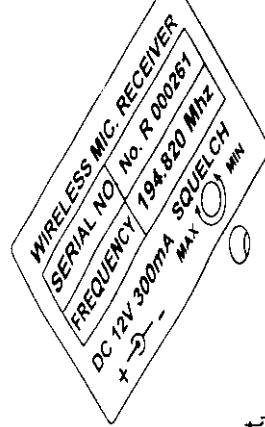
b. Reception Indicator:

This indicator does light during standby. When microphone signal is received, The green indicator light to indicate the reception of microphone.

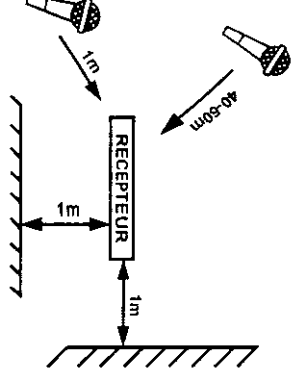
c. Audio peak Indicator: This red light flickers when the audio signal from the microphone approaches the overload clipping level. It is affected by the transmitter gain control setting and the loudness of your voice.

6. Squelch Control

This control is factory present, SQ noisy controlled adjustment, Before you turn-on the transmitter, Please turn-on the receiver at first. The receiver already have been jamming by outside signal. Please adjust SQ control until the jamming signal has disappeared. (clock-wise) (SQ JUST)

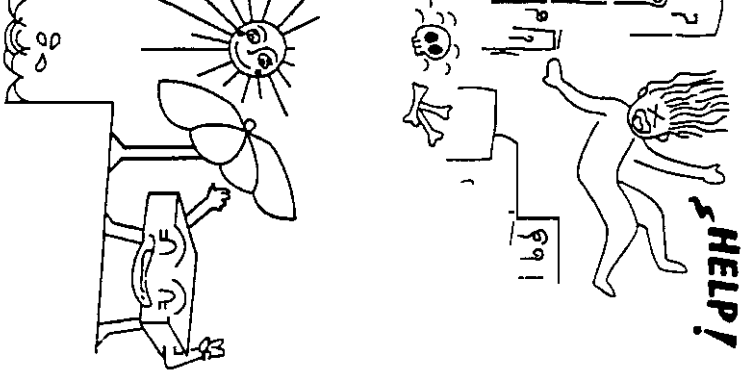


REPTEUR :



THE WIRELESS RECEIVER
LOCATED AT GOOD CONDITION
PLACE.

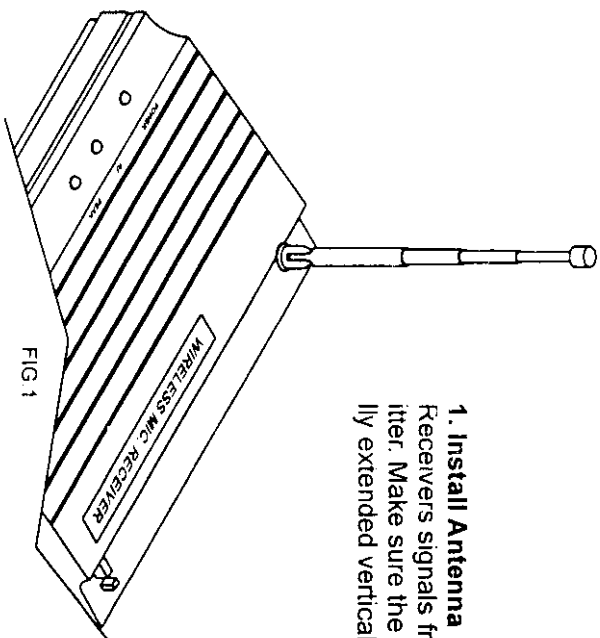
BE CAREFUL, DONT DROP
OFF THE MICROPHONE TO
FLOOR



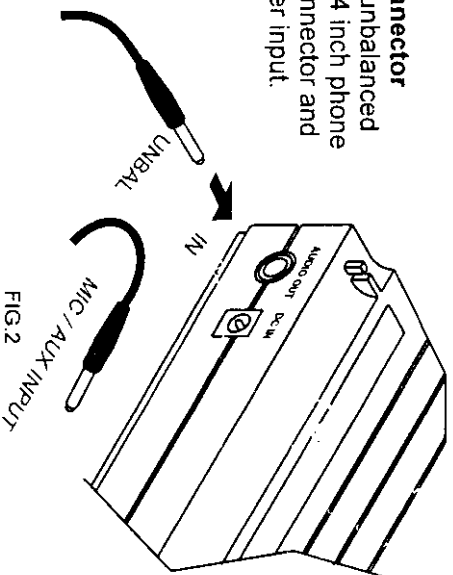
KEEP AWAY RAINING OR
SUN SHINE.

INSTRUCTION MANUAL

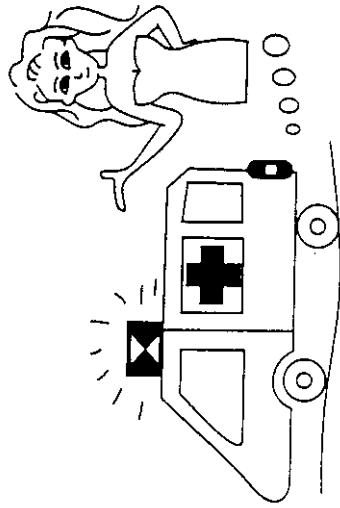
1. Install Antenna
Receivers signals from the trans-
mitter. Make sure the antenna is fu-
lly extended vertically.



2. Audio Output Connector
You can connect an unbalanced
audio cable with a 1/4 inch phone
plug between this connector and
your mixer or amplifier input.

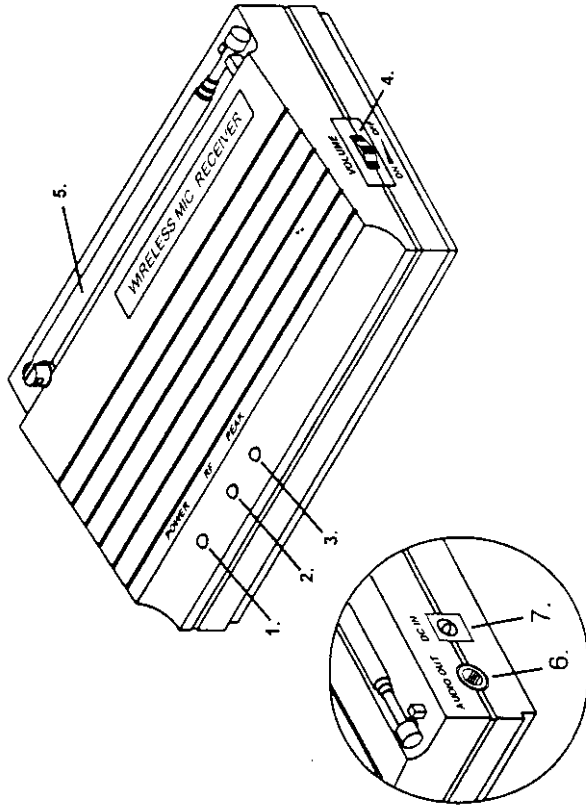


NOTE



IF YOU ARE NOT TECHNICAL
ENGINEER PLS. DO NOT
MODIFIED OR KNOCK - DOWN
IT.

NAMES OF PARTS



1. Power ON Indicator
2. Microphone ON Indicator.
3. Audio Peak Indicator.
4. Power Switch / Volume Control.
5. Telescopic Antenna.
6. Audio Output Connector.
7. Power Input Connect.

Character :

- VHF High band frequency by quartz locked controlled. Range from 174-216MHz
- Compact, lightweight, single channel receiver.
- LED Indicator (Power , RF , Peak) and telescopic antenna.
- Compression / Expanded circuit for extended dynamic range.
- Special circuit design to delete microphone switch ON/OFF noise.

Specifications :

Receiving method	Non-diversity receiver
Carrier frequency range	VHF Hi-Band 174-216MHz
Frequency stability	0.005% /25°C
Modulation mode	FM (F3E)
Max. deviation	±40KHz., with limiting compress
T.H.D.	<1%
Dynamic	>100dB
S/N Ratio	>90dB
Frequency response	50Hz-15KHz ± 3dB
Receiving mode	Quartz control fixed frequency
Squelch (Receiver sensitivity)	Noise control Normal=-85dBm -65dBm ~ -90dBm Adjust
Audio output level	Unbalance ,300mV , 10KΩ load At deviation = ± 40KHz
Output connector	Unbalance 6.3Ømm phone jack
Power supply	DC 12V ~ 18V 300mA With AC/DC adaptor 115/230V 50/60Hz
Dimensions	152 X 98 X 36 mm
Weight	226g

CONTENTS

CHARACTER _____	1
SPECIFICATIONS _____	1
NAMES OF PARTS _____	2
INSTALLATION _____	3
POWER SUPPLY CONNECTION _____	4
INDICATOR AND SQUELCH CONTROL _____	5
NOTE _____	6

Thank you for your kind using our wireless microphone with receiver. Before using the machine please read the instruction manual very carefully. According to our instruction manual for ensure you using of the best function and performance. If any defect please contact with our agent or dealer. It is our pleasure to serve you.
Thank you for your cooperation

WIRELESS SYSTEM

INSTRUCTION MANUAL

