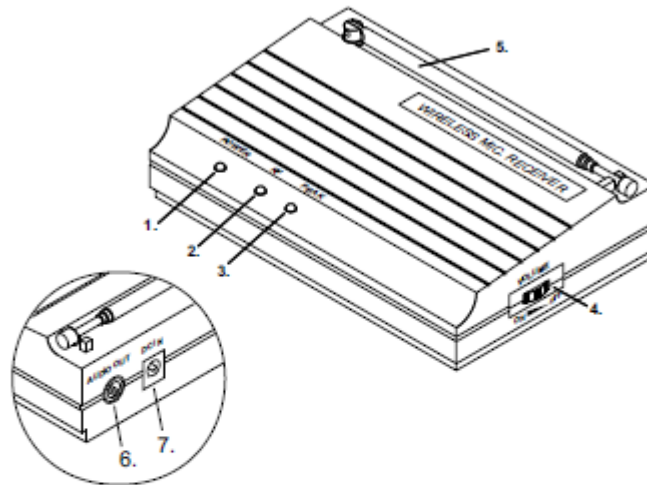
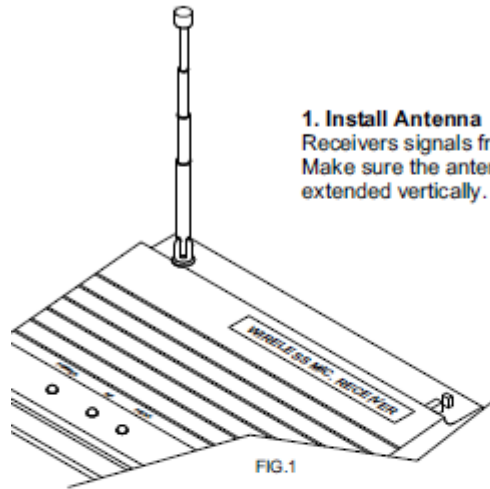


# Operation description

## NAMES OF PARTS



1. Power ON Indicator
2. Microphone ON Indicator
3. Audio Peak Indicator
4. Power Switch / Volume Control
5. Telescopic Antenna
6. Audio Output Connector
7. Power Input Connect

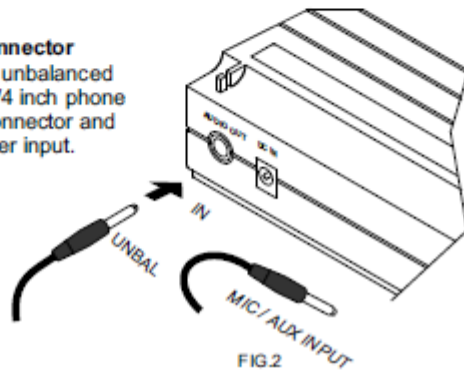


**1. Install Antenna**

Receives signals from the transmitter. Make sure the antenna is fully extended vertically.

**2. Audio Output Connector**

You can connect an unbalanced audio cable with a 1/4 inch phone plug between this connector and your mixer or amplifier input.



## 5. Indicator.

### a. Power ON Indicator:

This red light glows when the DC supply and power Switch ON. It indicates that the receiver is on.

### b. Reception Indicator:

This indicator does light during standby. When microphone signal is received, The green indicator light to indicate the reception of microphone.

### c. Audio peak Indicator:

This red light flickers when the audio signal from the microphone approaches the overload clipping level. It is affected by the transmitter gain control setting and the loudness of your voice.

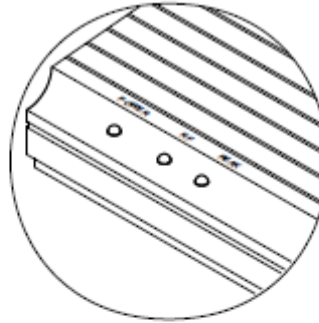
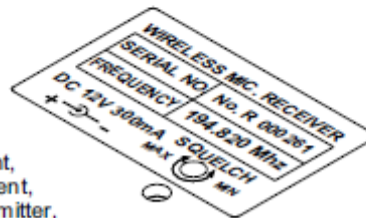


FIG.5

## 6. Squelch Control

This control is factory present, SQ noisy controlled adjustment, Before you turn-on the transmitter, Please tum-on the receiver at first. The receiver already have been jamming by outside signal. Please adjust SQ control until the jamming signal has disappeared. (clock-wise)



(SQ JUST)

Character :

- VHF High band frequency by quartz locked controlled. Range from 174-216 MHz
- Compact, lightweight, single channel receiver.
- LED Indicator (Power, RF, Peak) and telescopic antenna.
- Compression / Expanded circuit for extended dynamic range.
- Special circuit design to delete microphone switch ON/OFF noise.

Specifications :

Receiving method	Non-diversity receiver
Carrier frequency range	VHF Hi-Band 174-216MHz
Frequency stability	0.005% /25 °C
Modulation mode	FM (F3E)
Max. deviation	±40KHz, with limiting compress
T.H.D.	<1%
Dynamic	>100dB
S/N Ratio	>90dB
Frequency response	50Hz- 15KHz ± 3dB
Receiving mode	Quartz control fixed frequency
Squelch ( Receiver sensitivity )	Noise control Normal=-85dBm -65dBm ~ -90dBm Adjust
Audio output level	Unbalance ,300mV , 10K load At deviation = ± 40KHz
Output connector	Unbalance 6.3Ømm phone jack
Power supply	DC 12V ~ 18V 300mA With AC/DC adaptor 115/230V 50/60Hz
Dimensions	152 X 98 X 36 mm
Weight	226g