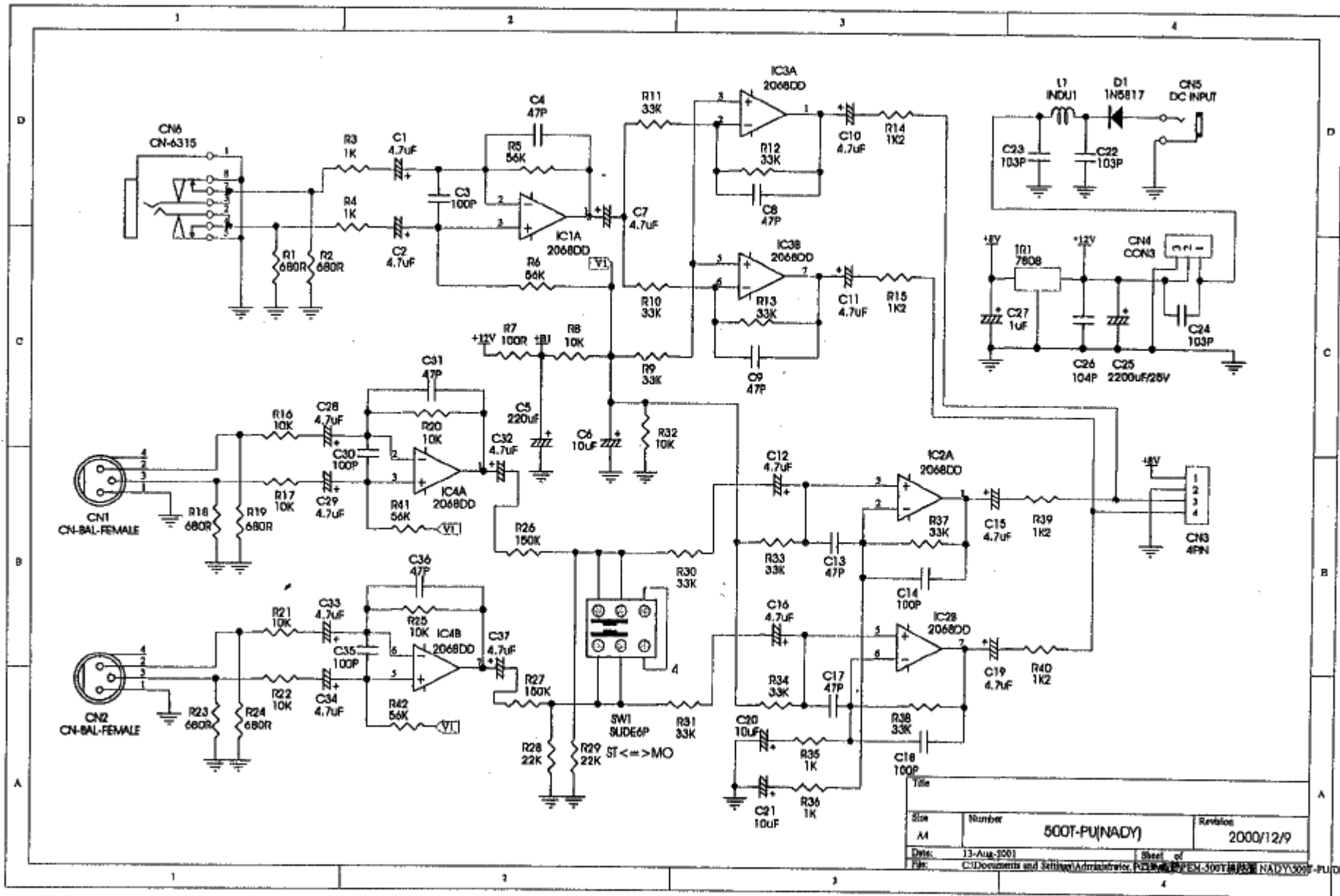
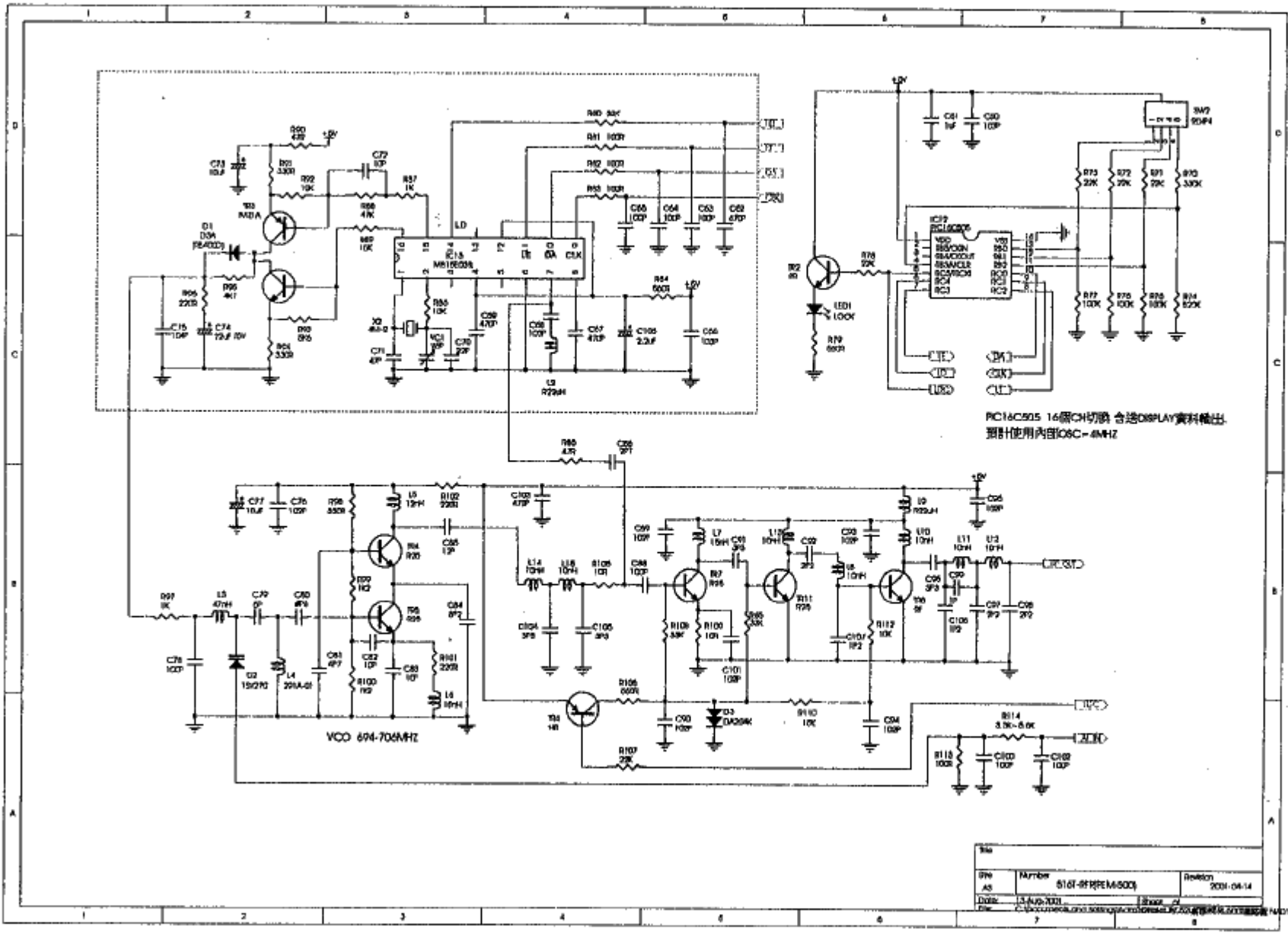


Rev	Number	516I-RP(PM-500)	Revision	2001-04-14
AD	Date	1-Sep-2001	Page	2
<small>Copyright © 2001 by Analog Devices, Inc. All rights reserved. ADI and the ADI logo are registered trademarks of Analog Devices, Inc. in the United States and other countries.</small>				



Size	Number	Revision
A4	500T-PU(NADY)	2000/12/9
Date:	13-Aug-2001	Sheet of
File:	C:\Documents and Settings\Administrator\My Documents\PCB\500T-PU(NADY)500T-PU.DDB	



PIC16C505 16個CH切換 合送DISPLAY資料輸出
預計使用內部OSC-4MHz

Rev	Number	Date	Revision
AS	5101-01PEM-5003		2001-04-14
Doc	13-Aug-2001	Sheet 2	
File	C:\Documents and Settings\user\workspace\5101-01PEM-5003\5101-01PEM-5003.CDR		