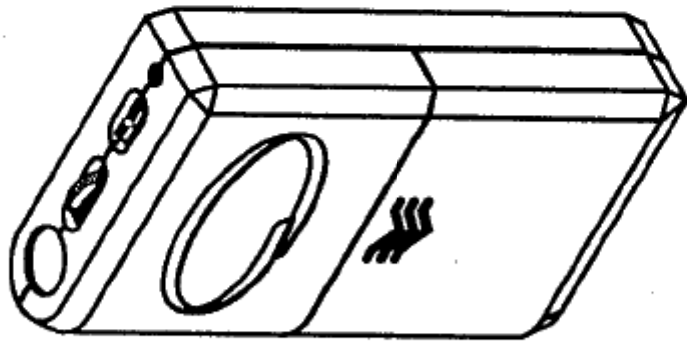


# WIRELESS MICROPHONE SYSTEM

INSTRUCTION MANUAL

---

---



## **LICENSING REQUIREMENTS**

This equipment complies with Part 74 of the FCC Rules.

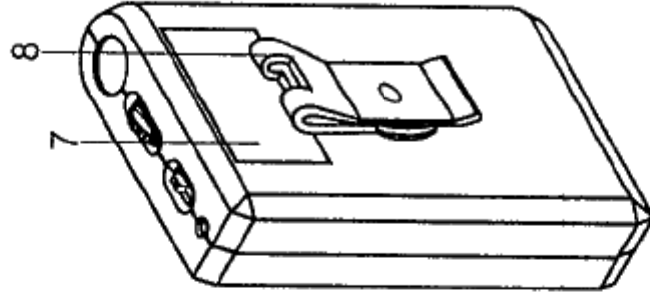
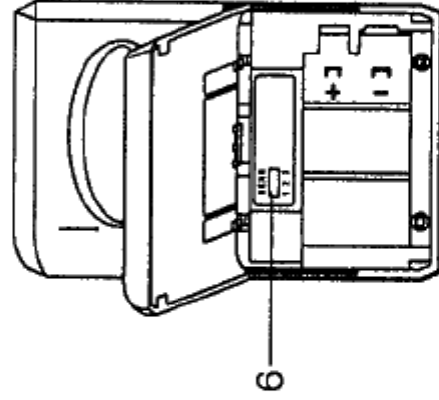
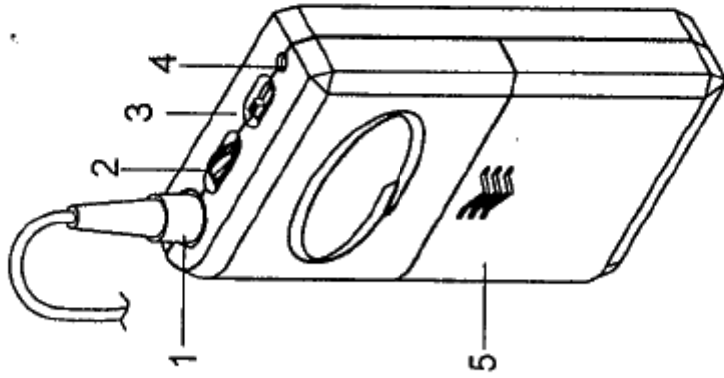
A license is required for operation subjective device will be issued only to the following:

- (1) A licensed of an AM, FM, TV, or international broadcast station or low power TV station. Low power auxiliary stations will be licensed for used with a specific broadcast or low power TV station or combination of stations licensed to the same licensee within the same community.
- (2) A broadcast network entity.
- (3) A cable television system operator who operates a cable system that produces program material for origination or access cablecasting as defined in §76.5(r)
- (4) Motion picture producers as defined in §74.801.
- (5) Television program producers as defined in §74.801.
- (6) Licensees an conditional licensees of stations in the Multipoint Distribution service and Multichannel Multipoint Distribution Service as defined in §21.2 of this chapter, or entities that hold an executed lease agreement with an MDS or MMDS licensee or conditional licensee or with an Instructional Television Fixed service licensee or permittee.

## FEATURE:

SMALL POKKBODY TYPE LIKE A POCKET SIZE.  
IT IS VERY EASY CARRYING, ANTENNA BUILT-INSIDE.

- |                   |                              |
|-------------------|------------------------------|
| 1. SOCKET         | 5. BATTERY COVER             |
| 2. VOLUME CONTROL | 6. MIC SENSITIVITY SWITCHING |
| 3. POWER SWITCH   | 7. LABEL                     |
| 4. LED INDICATOR  | 8. BELT CLIP                 |



## **OTHER FEATURES:**

1. SOCKET
  - 3.5 $\Phi$  JACK
  - 4P mini XLR PLUG
2. VOLUME CONTROL
  - c Large
  - c Small
3. POWER SWITCH
  - ON
  - STAND BY
  - OFF
4. LED INDICATOR
  - BATTER LOW
  - CHANGING BATTER WHEN LIGHT-ON
5. BATTERY COVER
6. MIC SENSITIVITY SWITCHING
  - FOR ELECTRICAL INSTRUMENT
  - FOR DYNAMIC MICROPHONE
  - FOR CONDENSER MICROPHONE
7. LABE
8. BELT CLIP
  - 2 WAYS FOR HANGING
    - VERTICAL
    - CROSSWISE

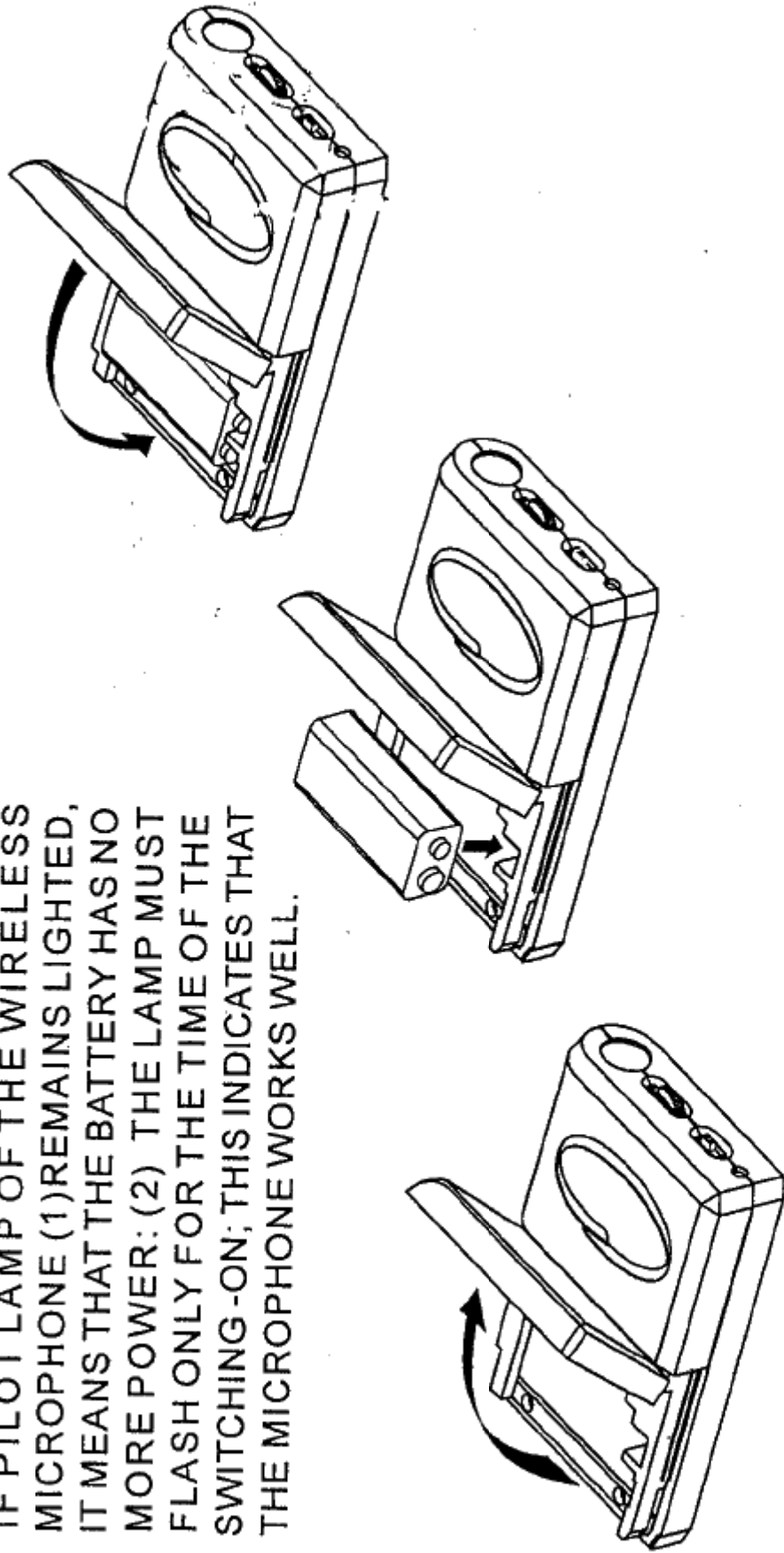
## SPECIFICATIONS :

PERFORMANCE SPECIFICATION	
Carrier Frequency Range	UHF 94.9-84.9 Mhz
Microphone Element	Dynamic Microphone
Oscillation Mode	Quartz controlled fixed frequency
Modulation mode	FM (F3E)
Antenna	Built-in
RF Carrier Power	0.52mW (may be adjusted based on regulation)
Effective Radiated Power (Spurious)	Less than 2mW
Tone Frequency	32.768KHz
Pre-Emphasis	50uS
Current Drain	30mA Typical(9.0V)
Battery	More than 8 hours (Alkaline)
Dimensions	106(L)x23(W)x66(H)mm(4.2x Lx0.9Wx 2.6H) in
Weight	Approx. 80g(0.177lbs)

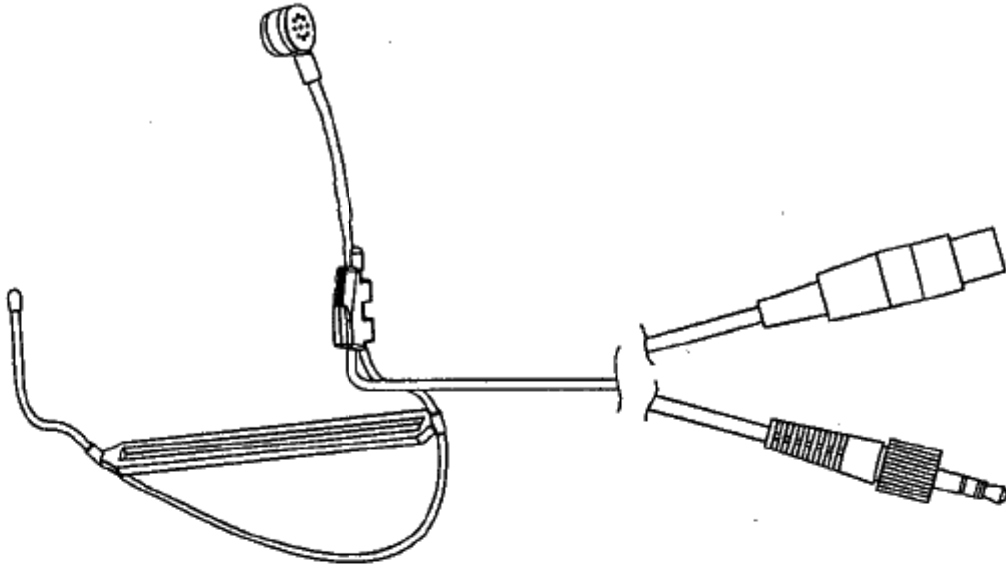
## INSTRUCTION

1. AFTER OPERATION THE MICROPHONE MUST BE SWITCHED OFF AS WELL. OTHERWISE THE BATTERIES WILL SOON BE EXHAUSTED. IN ORDER TO AVOID UNTUNEFUL CONSUMPTION OF THE INNER BATTERY: IF PILOT LAMP OF THE WIRELESS MICROPHONE (1) REMAINS LIGHTED, IT MEANS THAT THE BATTERY HAS NO MORE POWER: (2) THE LAMP MUST FLASH ONLY FOR THE TIME OF THE SWITCHING -ON; THIS INDICATES THAT THE MICROPHONE WORKS WELL.

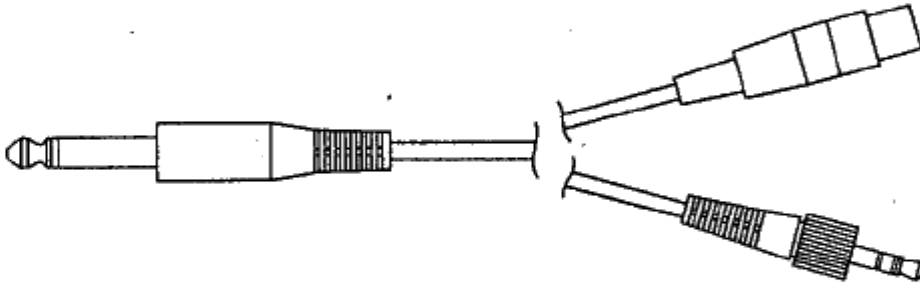
2. INSTALL BATTERY:  
PLS. MAKE SURE THE POSITIVE/NEGATIVE BEFORE YOU REPLACEMENT BATTERIES.



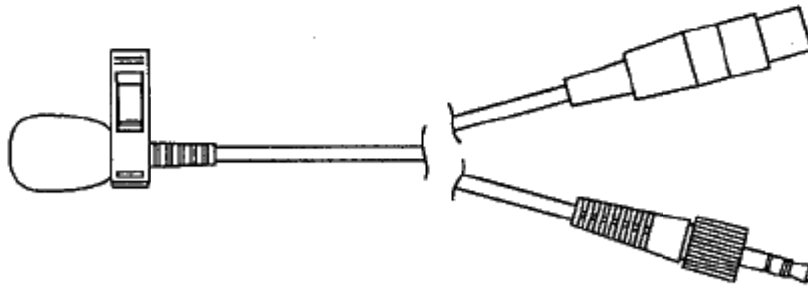
**DIAGRAM:**



HM-26/4B



LS-16/4B



LM-10/4B

## **INTRODUCTION**

WE CONGRATULATE YOU FOR THE CHOICE OF THIS EXCELLENT PROFESSIONAL APPARATUS MICROPHONE WHICH WILL GIVE YOU OUTSTANDING RESULTS AT THE HIGH FIDELITY. THE MICROPHONE SUIT FOR SCHOOL SPEECH, MEETING SPEECH, TEACHERS AND PERFORMER ON THE STAGE. TO AVOID OF PROBLEM LIKE WIRE MICROPHONE. THE BODY PACK MICROPHONE CONNECTION IN EVERY WORKING CONDITION.

## **CAUTION**

1. BATTERY USE DC9V
2. DO NOT DROP THE MICROPHONE BODY ON THE FLOOR.
3. PROTECT THE UNITS AGAINST HUMIDITY AND HEAT.
4. IF THE UNITS ARE TO BE PUT OUT OF OPERATION DEFINITELY, BRING THEM TO TECHNICAL ENGINEER FOR DISPOSE