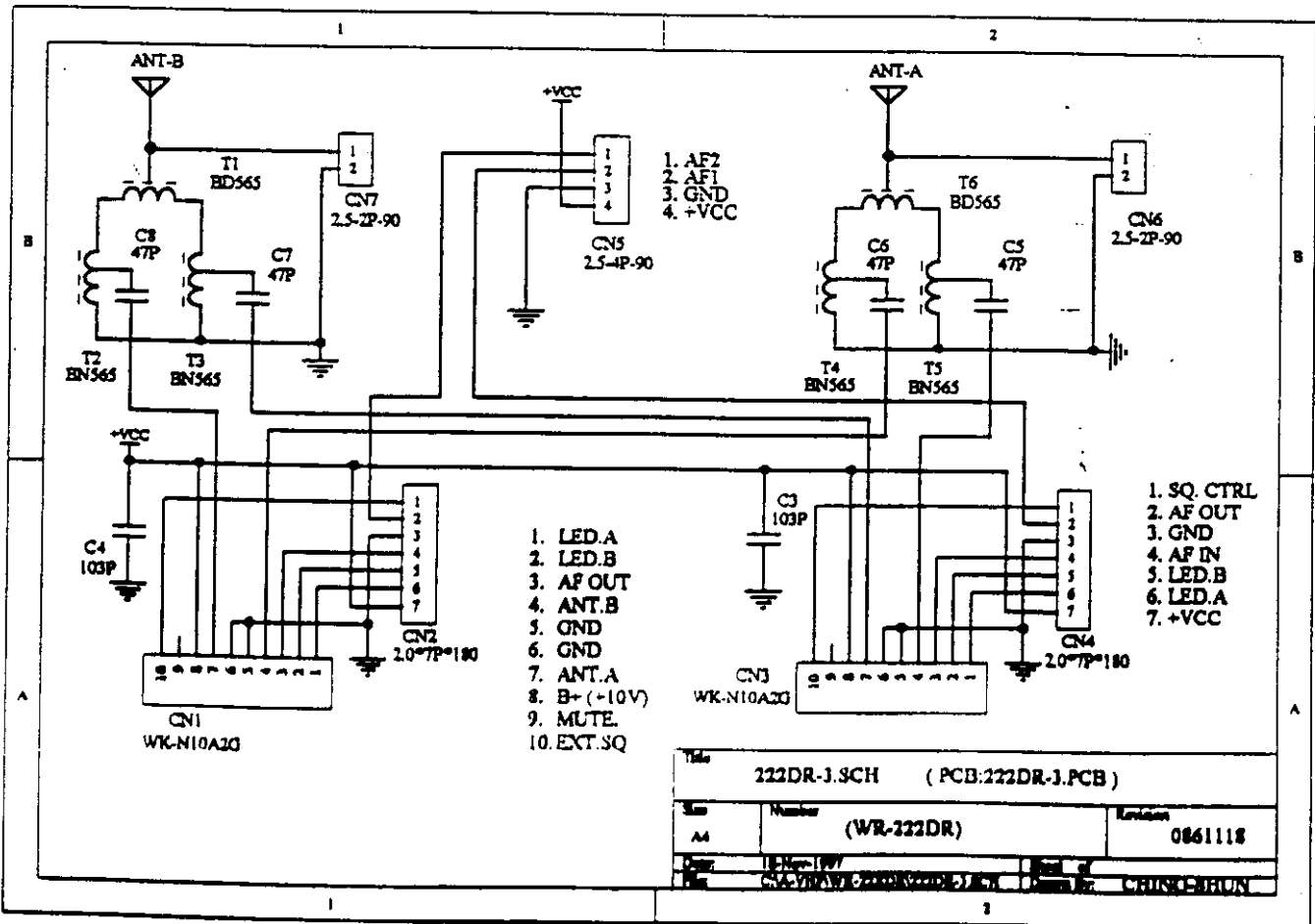
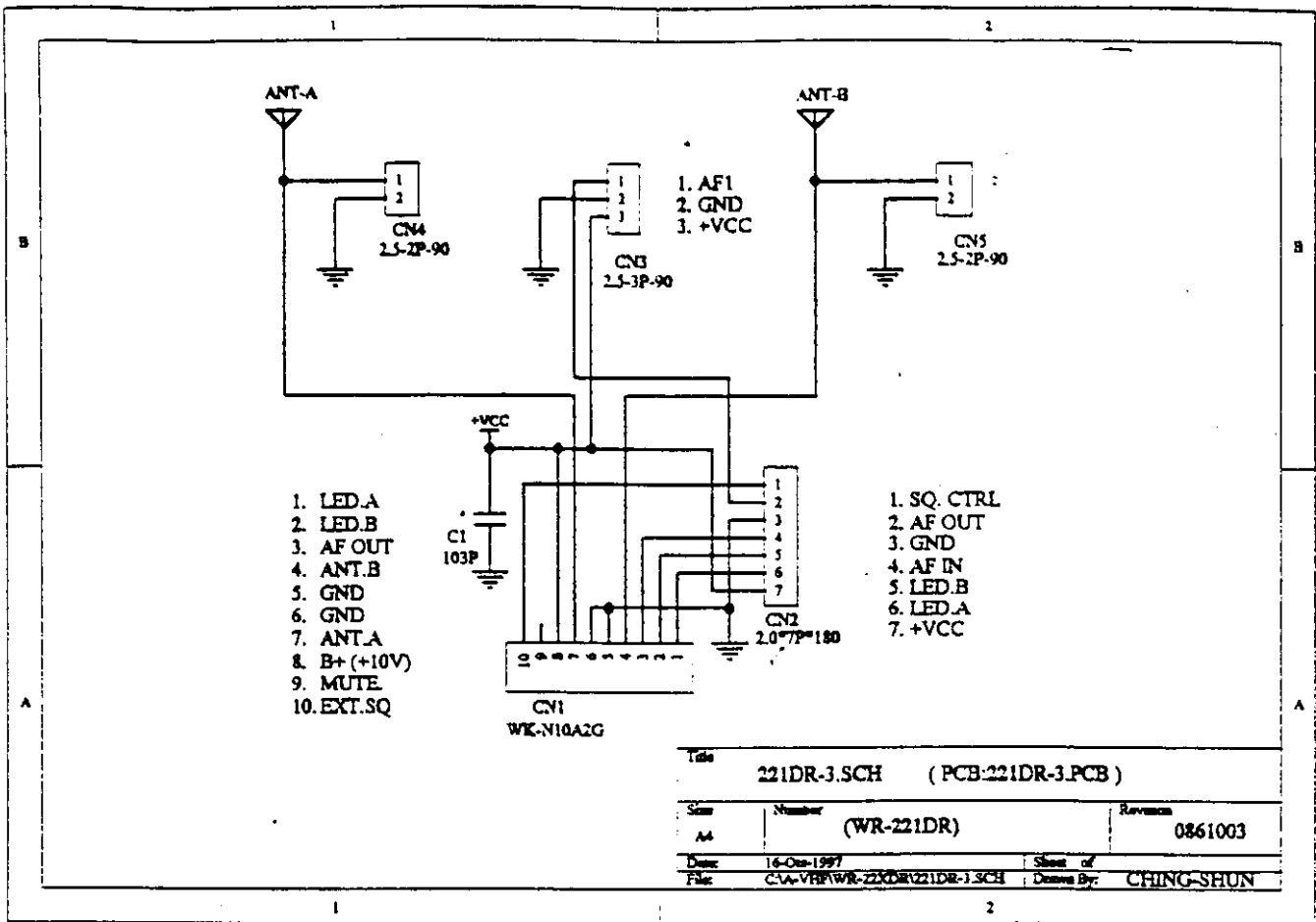
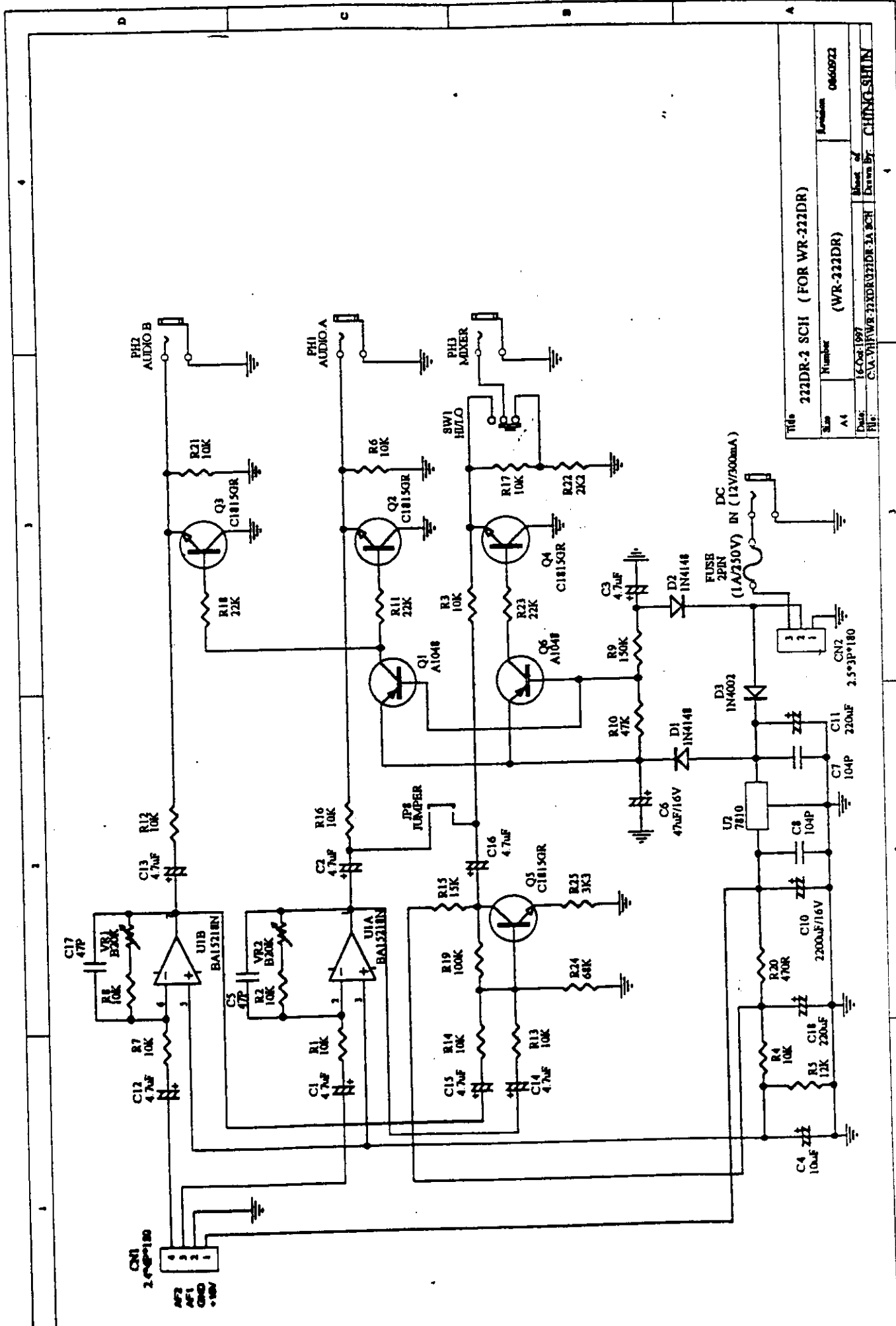


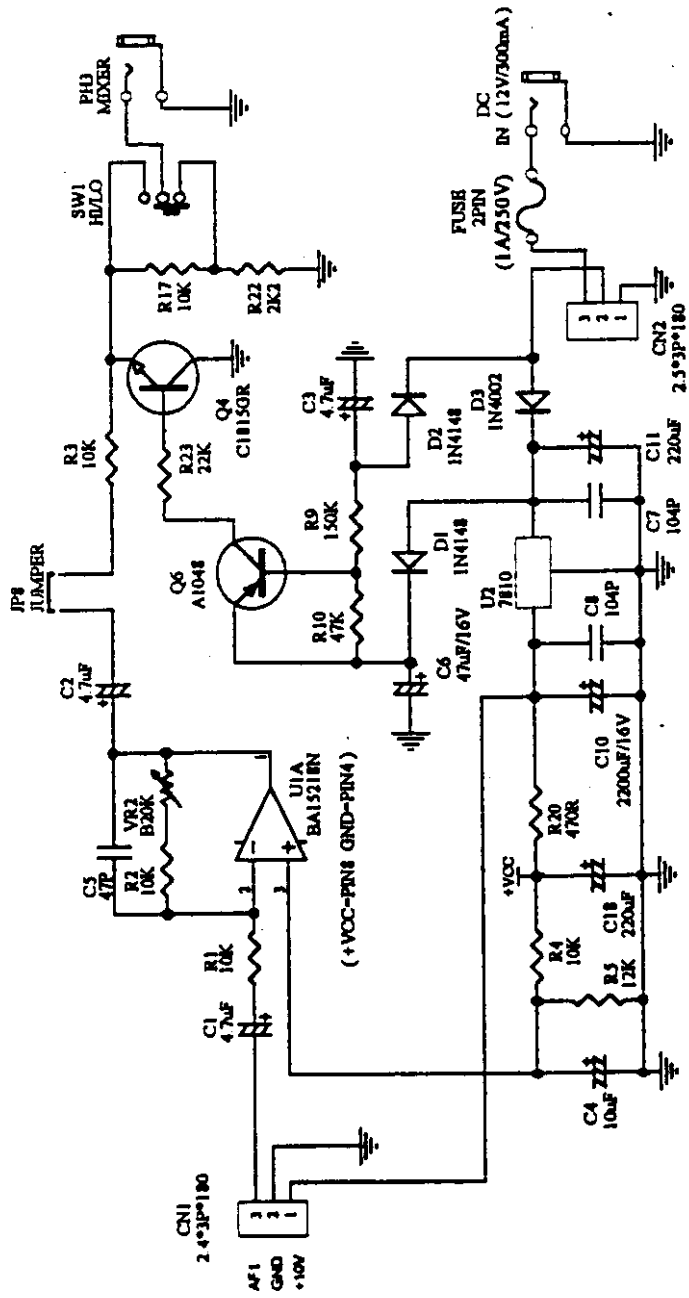
EXHIBIT D

Circuit Diagram





Title		222DR-2 SCH (FOR WR-222DR)	
Size	Number	Revision	0660972
A4	(WR-222DR)		
Date:	16-Oct-1997	Drawn by:	CHING-SHIUN
File:	C:\VFW\WR-222DR\222DR-2A.SCH		



Title: 222DR-2 SCH (WR-221DR)
 Size: A1
 Number: (WR-221DR)
 Date: 16 Oct 1977
 File: C:\A:\VFWA-77\DR\221DR-2B SCH

Sheet of: 4
 Drawn By: CHING-SHIU LIN

