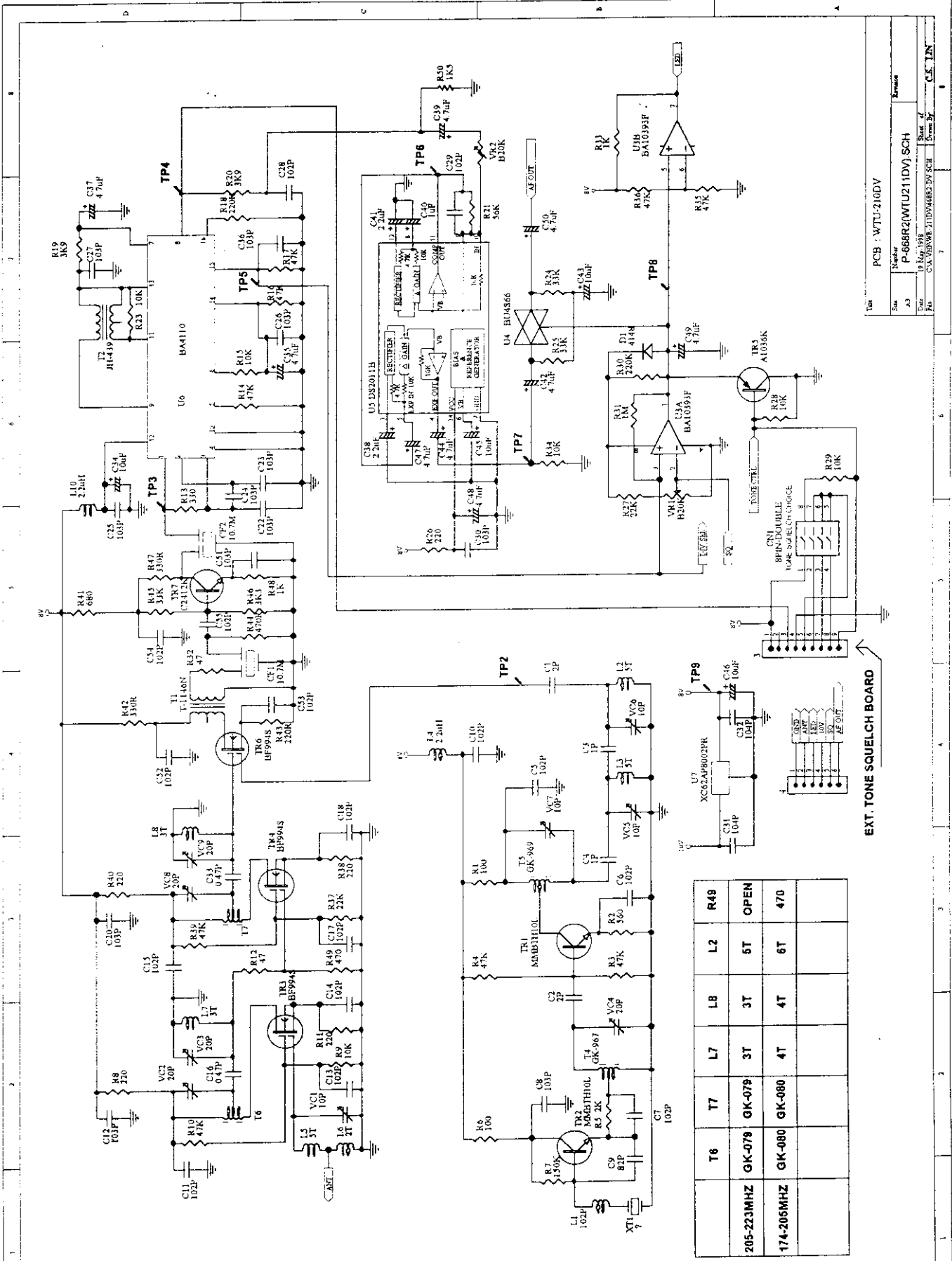


EXHIBIT D
Circuit Diagram

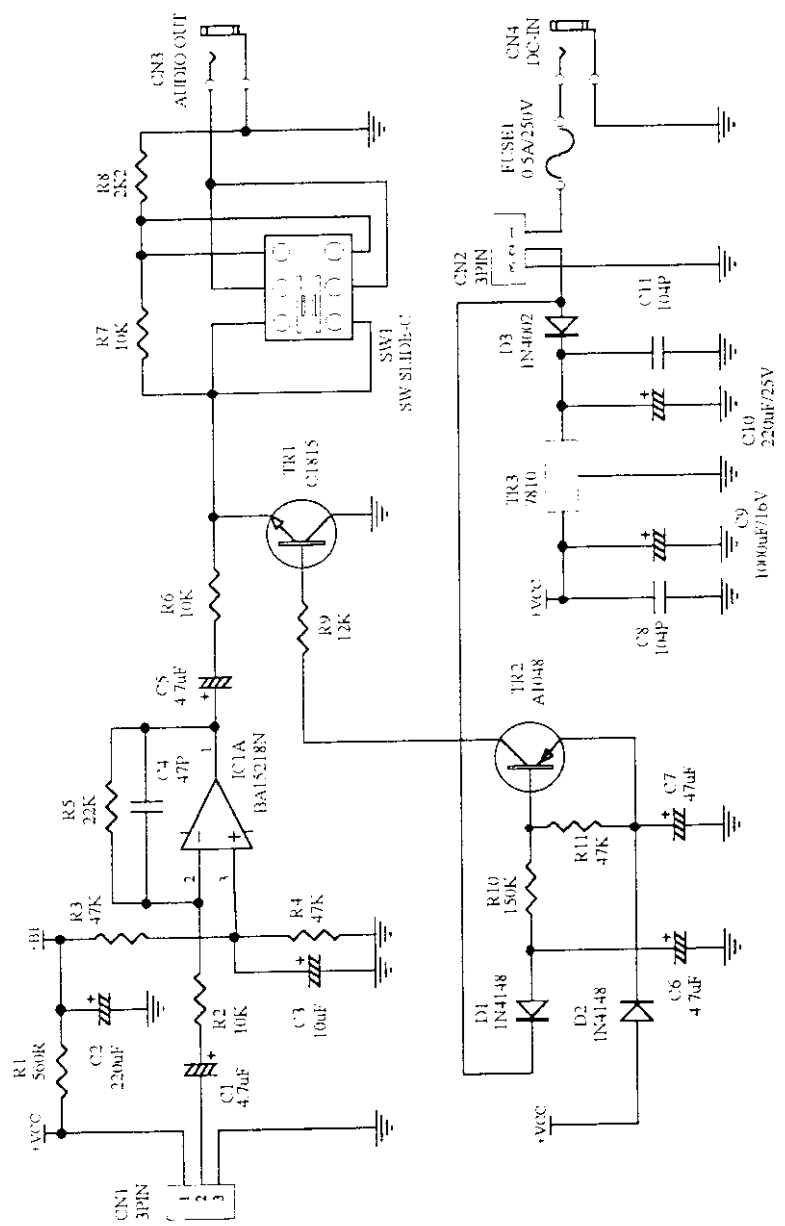


	T6	T7	L7	L8	L2	R48
205-223MHZ	GK-079	GK-079	3T	3T	5T	OPEN
174-205MHZ	GK-080	GK-080	4T	4T	6T	470

EXT. TONE SQUELCH BOARD

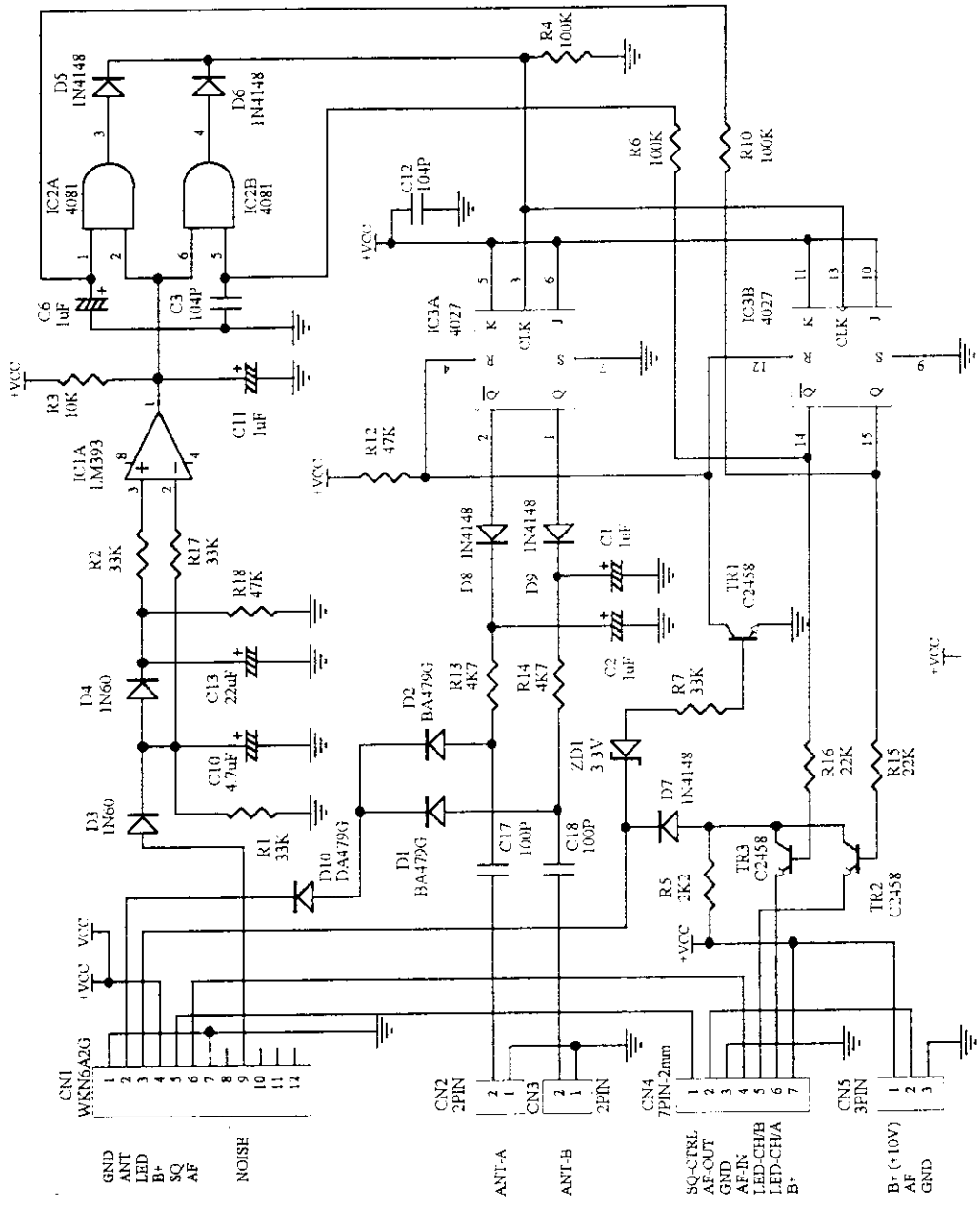
PCB : WTU-210DV

Rev	Number	Revision
A3	P-668R2(WTU211DV).SCH	
Date	19 May 1978	Sheet of
File	CU-058VW-E-311DV48R2.DV SCH	Drawn By
		C.S. LIN



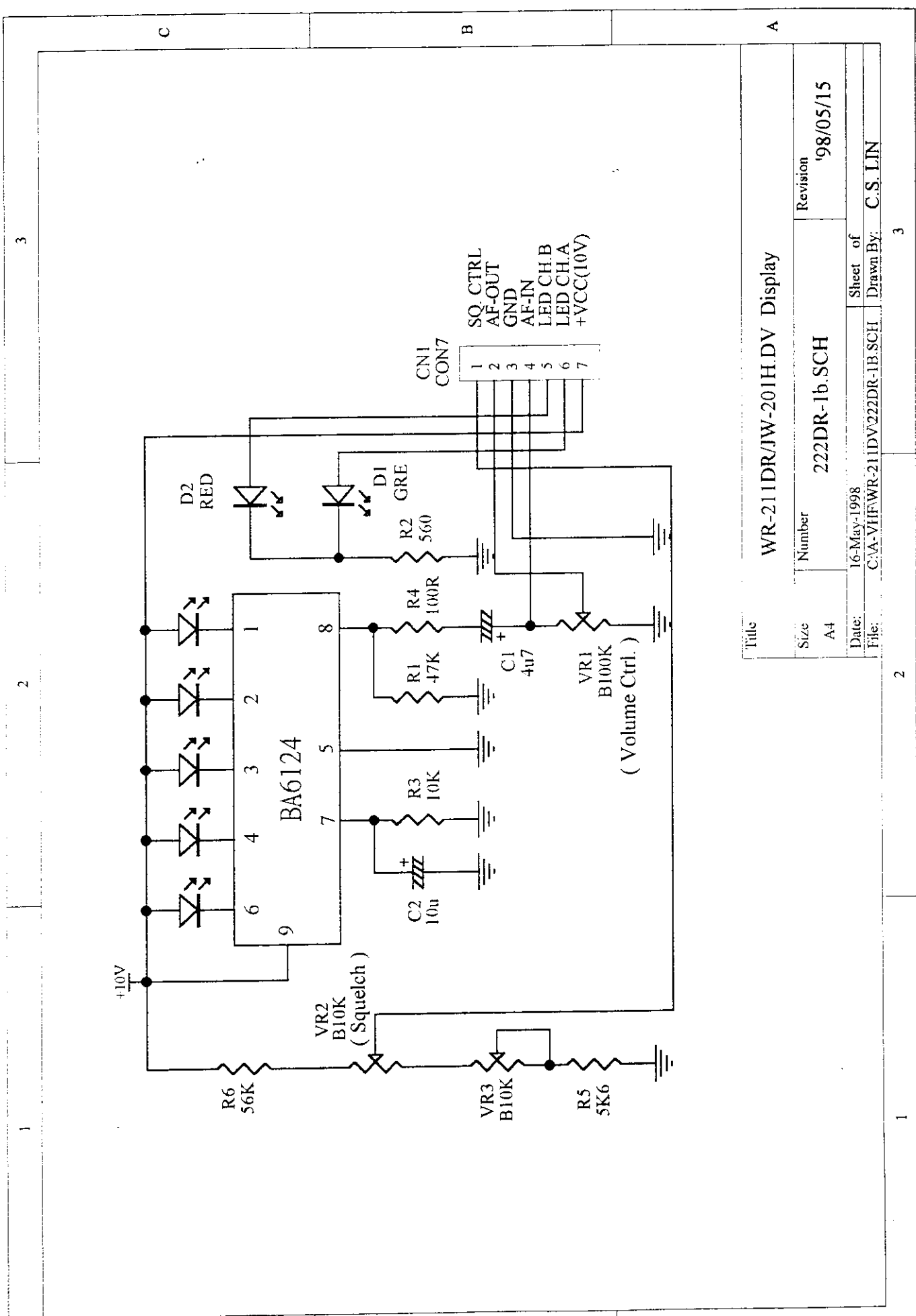
Title PCB : P-221DV-PW

Size	Number	Revision
A4		98/05/12
Date	11-Jun-1998	Sheet of
File	C:\A-Y\HW\211DV\211DV-PW.SCH	Drawn By
		C.S. LIN



Title	Number	Revision
Size	A4	9803/12
Date	14-May-1998	Sheet of
File	C:\VIRV\PCB\211DV\211DV-1SCH	Drawn By:
		C.S. LIN

PCB : P-211DV-1



Title		WR-211DR/JW-20IH.DV Display	
Size	Number	Revision	
A4	222DR-1b.SCH	'98/05/15	
Date:	Sheet of		
16-May-1998	3		
File:	Drawn By:		
C:\A-VHF\WR-211DV\222DR-1B.SCH	C.S. LIN		

3

2

1

3

2

1