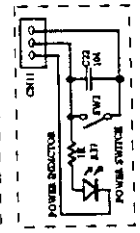
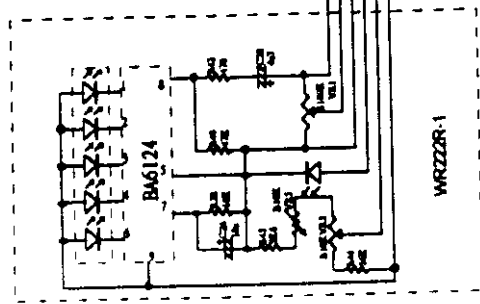
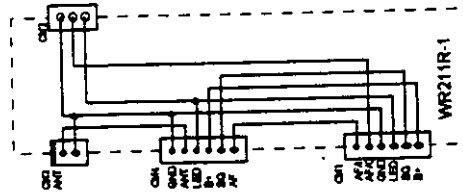
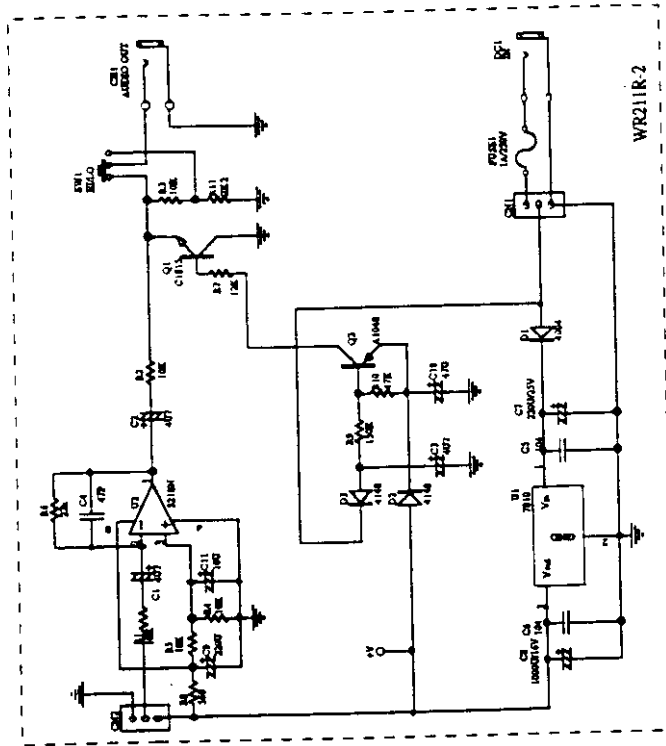


EXHIBIT D

Circuit Diagram



WR-211R SCHEMATIC DIAGRAM	
Rev	06.07.97
Author	JOE
Drawn	
Checked	
Approved	