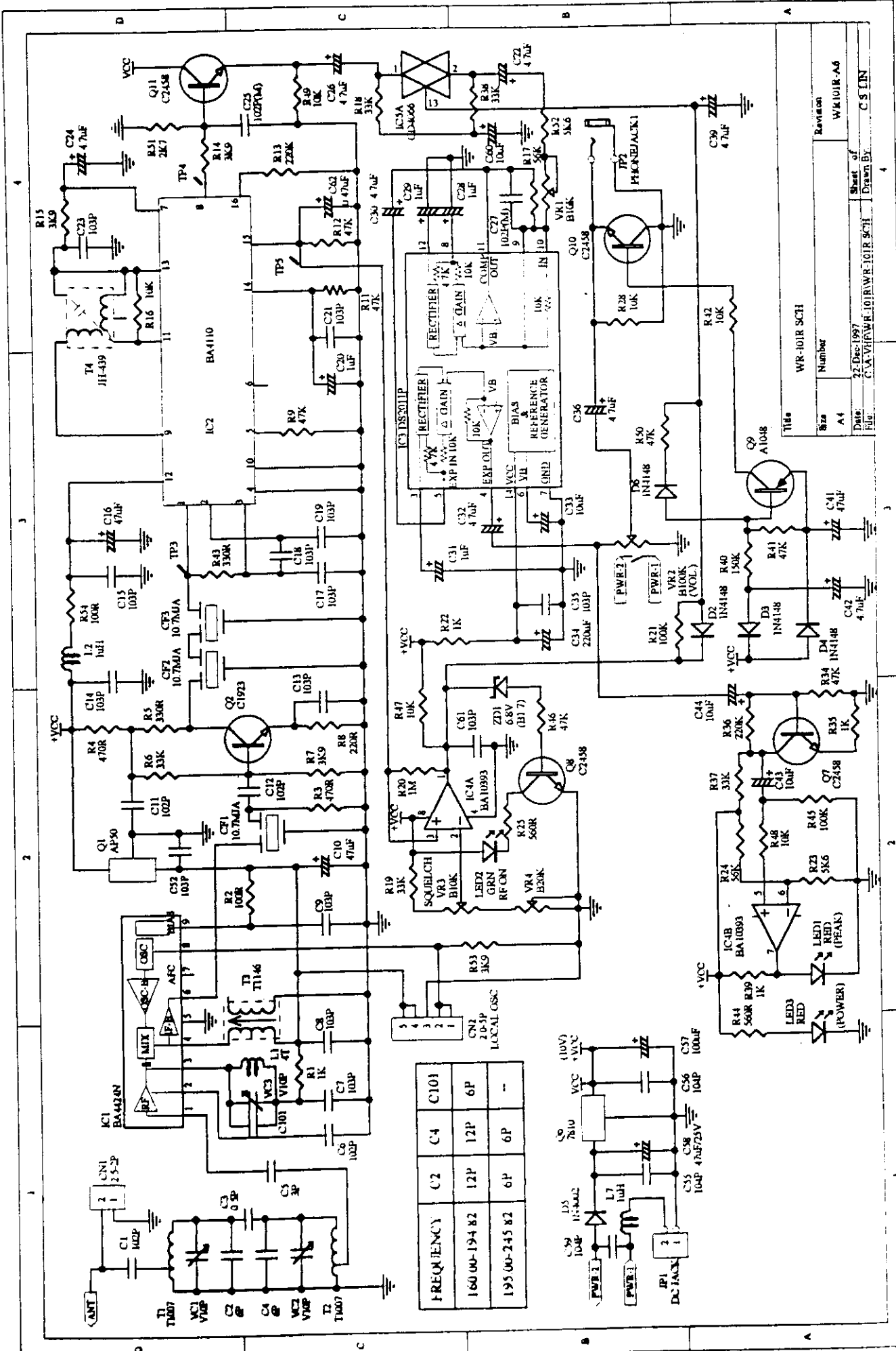


***EXHIBIT D***

***Circuit Diagram***

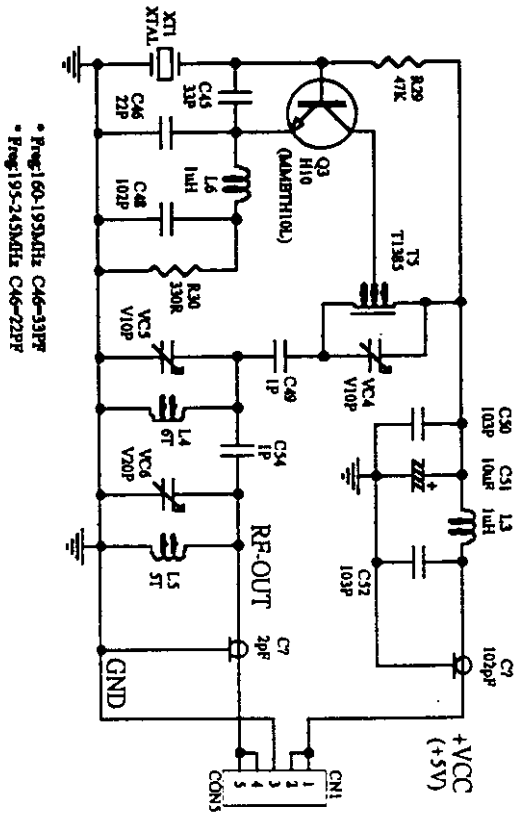


FREQUENCY	C2	C4	C101
160.00-194.82	12P	12P	6P
195.00-245.82	6P	6P	-

Title: WK-101R SCH  
 Size: A4  
 Number: WK-101R-A6  
 Date: 22-Dec-1997  
 File: C:\A-VHF\WK-101R\WK-101R.SCH  
 Sheet of: 5  
 Drawn By: C S UN

1 2 3 4

1 2 3 4



Title		Revision	
OSC97-1A.SCH			
Size	Number	Standard	
A1		06/09/08	
Date	21 Dec 1997	Drawn By	CHING SHUN
File	G:\V\FPC\OSC97\OSC97-1A.SCH		