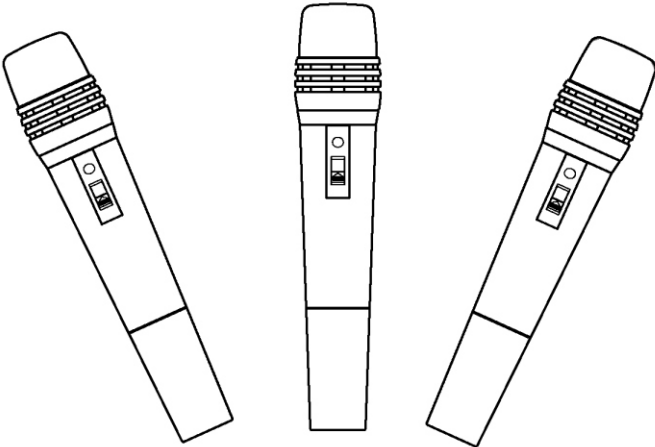


**WIRELESS MICROPHONE SYSTEM
INSTRUCTION MANUAL**



Safety Instructions



CAUTION: To reduce the risk of electric shock do not remove the cover or back panel. No user serviceable parts inside. Refer servicing to qualified personnel only.

WARNING: To reduce the risk of fire or electric shock, do not expose this apparatus to rain or moisture.



This symbol is intended to alert the user of the presence of un-insulated dangerous voltage within the product enclosure that may be of sufficient magnitude to constitute a risk of electric shock to persons.



This symbol is intended to alert the user of the presence of important operating and maintenance (servicing) instruction in the literature accompanying the appliance. Please carefully read the owner's manual.

INSTRUCTIONS

All safety and operating instructions should be read before the product is operated.

Retain these instructions

All safety and operating instructions should be retained for future reference.

This owner's manual should be considered as a part of the product and it must accompany it every time, and delivered to the new user when this product is sold. In this way the new owner will be aware of all the installation, operating and safety instructions.

Heed all warnings

All warnings on the product and in owner's manual should be adhered to.

Follow all instructions

All operating and user's instructions must be followed.

Sentences preceded by  symbol contain important safety instruction. Please read it carefully.

DETAILED SAFETY INSTRUCTIONS

Water and moisture

This apparatus should not be used near water (i.e. bathtub, kitchen sink, swimming pools, etc.).

Heat

This apparatus should be placed away from heat sources, like radiators, heat registers, stoves or other products (including amplifiers) that produce heat.

Power sources

- This apparatus should only be connected to power source type specified in this owner's manual or on the unit.
- If the supplied AC power cable plug is different from the wall socket, please contact an electrician to change the AC power plug.

Grounding or Polarization

- All precautions must be observed to do not defeat grounding or polarization.
- Unit metal parts are grounded through the AC power cord.
- If the AC power outlet doesn't have grounding, consult an electrician for outlet grounding.

Power cord protection

The power cord should be positioned in a way it will not be stepped on or pinched by items placed upon or against it, paying particular attention to cable connected to the plugs, sockets and wall outlets.

Cleaning

- The unit can be cleaned with compressed air or with a soft damp cloth.
- Do not clean the unit with solvents such as trichloroethylene, thinners, alcohol, or other fluids with very strong volatility and flammability.

Long periods where the unit is not being used

If not used for long periods, the unit should be disconnected from the AC power supply.

Objects or liquid entry inside the unit

Be careful that no objects fall or liquid is spilled inside the unit through ventilation openings.

Safe power line use

- Hold the plug and the wall outlet while disconnecting the unit from AC power.
- If the unit will not be used for a long period of time, please unplug the power cord from AC power outlet.
- To avoid unit power cord damage, please do not strain the AC power cable and do not bundle it.
- In order to avoid unit power cord damage, please ensure that the power cord is not stepped on or pinched by heavy objects.

Unit relocation

Before the unit is relocated please ensure the unit is switched off. The power cord must be unplugged from the wall outlet and all connection cables should be disconnected.

Do not open this unit

Do not attempt to open or to repair this unit by yourself. For any problems not described in this owner's manual, please refer to qualified personnel only or consult PROEL or your National PROEL Distributor. Any improper operation could result in fire or electric shock.



Damages requiring services

- Do not attempt any operations not described in this user's manual.
- In the following cases please refer to an authorised maintenance centre or skilled personnel:
 - When the unit works improperly or it does not work at all.
 - If power cord or plug are damaged.
 - If liquid has spilled, or objects have fallen into the unit.
 - If the unit has been exposed to rain.
 - If the unit does not operate normally or it exhibits a marked change in performance.
 - If the product has been dropped or it has been damaged in any way.

Maintenance

The user should not attempt any maintenance operation not described in this user's manual. All maintenance should be carried out by qualified personnel.

IMPORTANT SAFETY INSTRUCTIONS

- Install this unit following owner's manual instructions.
- Do not install, connect or disconnect power supply when the unit is powered, to avoid electric shock.
- Do not open the unit: there are no user serviceable parts inside.
- If you detect any strong smell emanating from the unit, immediately turn it off and disconnect the AC power cord.
- Do not block the unit ventilation openings.
- Avoid using this unit in overload for a long period.
- Do not force the commands (switches, controls, etc.)
-  For safety reason, do not defeat or bypass the grounding connection. Grounding is important for user safety.
- Only use connectors and accessories suggested by the manufacturer. .
- This unit should be placed in a rack and kept far from:
 - Wet / humid areas
 - Direct exposure to heat sources (like sun light)
 - Non properly ventilated places
- Disconnect the power cord during storms or when the unit is not being used.
-  In order to prevent fire and electric shock risks, it is necessary to keep the unit far from liquids. Please do not put cups, vases or other object containing liquids over the unit. In case of interference from source signal, the THD value will raise over 10%. Do not place this unit in confined spaces.
- PROEL S.p.A. is not responsible for any damage that occurs due to a incorrect installation of the unit.

WARNING: changes or modifications not expressly approved by the party responsible for compliance could void the user's authority to operate the equipment.

HAVING BEEN DEVOTED TO R&D FOR YEARS, OUR COMPANY IS SPECIALIZED IN MANUFACTURING HIGH QUALITY PROFESSIONAL WIRELESS MICROPHONES. THIS REALLY ELABORATED MODEL SERVES TO YOUR COMPLETE SATISFACTION ON MANY OCCASIONS KARAOKE, FAMILY AND FRIEND GATHERING.

FEATURE:

1. VHF high band wireless microphone.
2. Hand-held dynamic microphone.
3. Wide dynamic range.
4. Over 12 hours of continuous operation with on LR6 (AA size 1.5) alkaline battery.
5. Battery replacement indicator.
6. Tone-key circuit to eliminate external interference.
7. Compander circuit for extended dynamic range.

— 1 —

SPECIFICATIONS:

Microphone element	Dynamic
Type of emission	FM(F3E)
Carrier frequency range	174-216 MHz
Frequency stability	±0.005% at 25°C
Maximum Deviation	66.1KHz
Tone frequency	32.768 KHz
Pre-emphasis	50 μS
RF output power	15mW
Audio Frequency response	50 Hz~15KHz
Dynamic range	100 dB
Battery	1 ×LR6(AA Size)(1.5 Volts)
Current drain	30mA (Max)
Battery life (Alkali)	More than 12 hours
Dimensions	244 mm
Net weight	Approx. 210g

1. Microphone Head

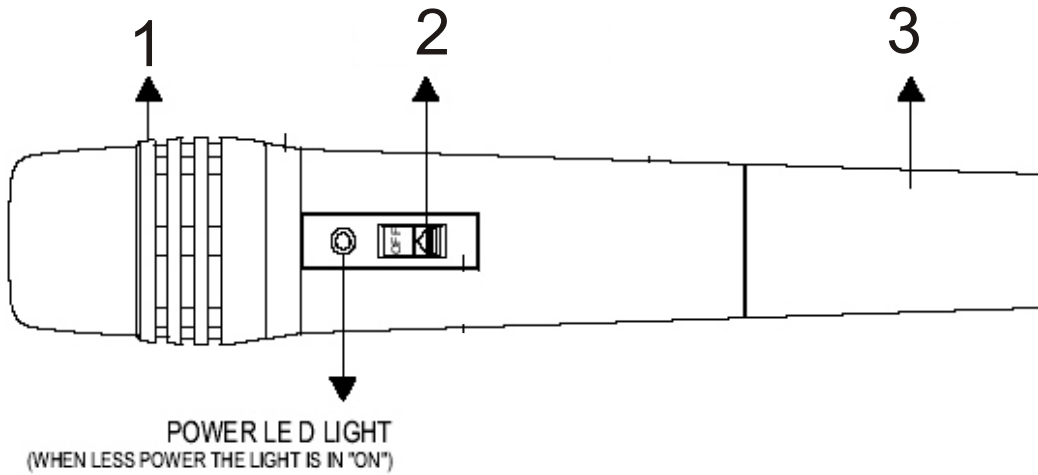
Grille for microphone capsule protection.

2. Power Switch

This 3-position selector (ON/OFF/MUTE) allows to switch ON or OFF the transmitter and to MUTE the microphone.

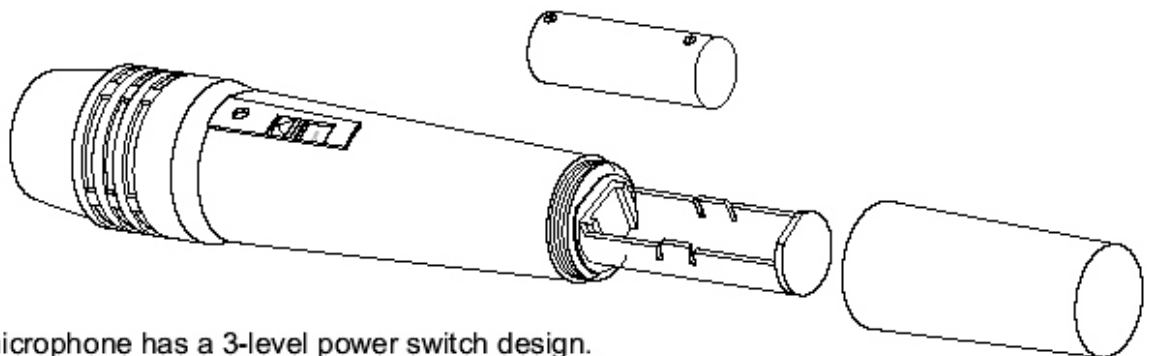
3. Battery

Unscrewing the cover, you can access the 1.5V battery receptacle. Here inside you can find the transmitter frequency.



BATTERY INFORMATION:

NOTE: Make sure the power switch is in the "OFF" position when changing or installing new battery. Average life on an alkaline battery is 12 hours. Be sure to use good quality long life 1.5V alkaline battery only.



1. This microphone has a 3-level power switch design.
2. In using first turn on the receiver and then the transmitter.
3. New battery the power light is in "OFF".
The light ts "ON" It indicates the battery needs to be replaced.
4. Remember to turn the switch "OFF",
When the microphone is not in use in order to save power. In "STAND-BY" set the switch to the center.

