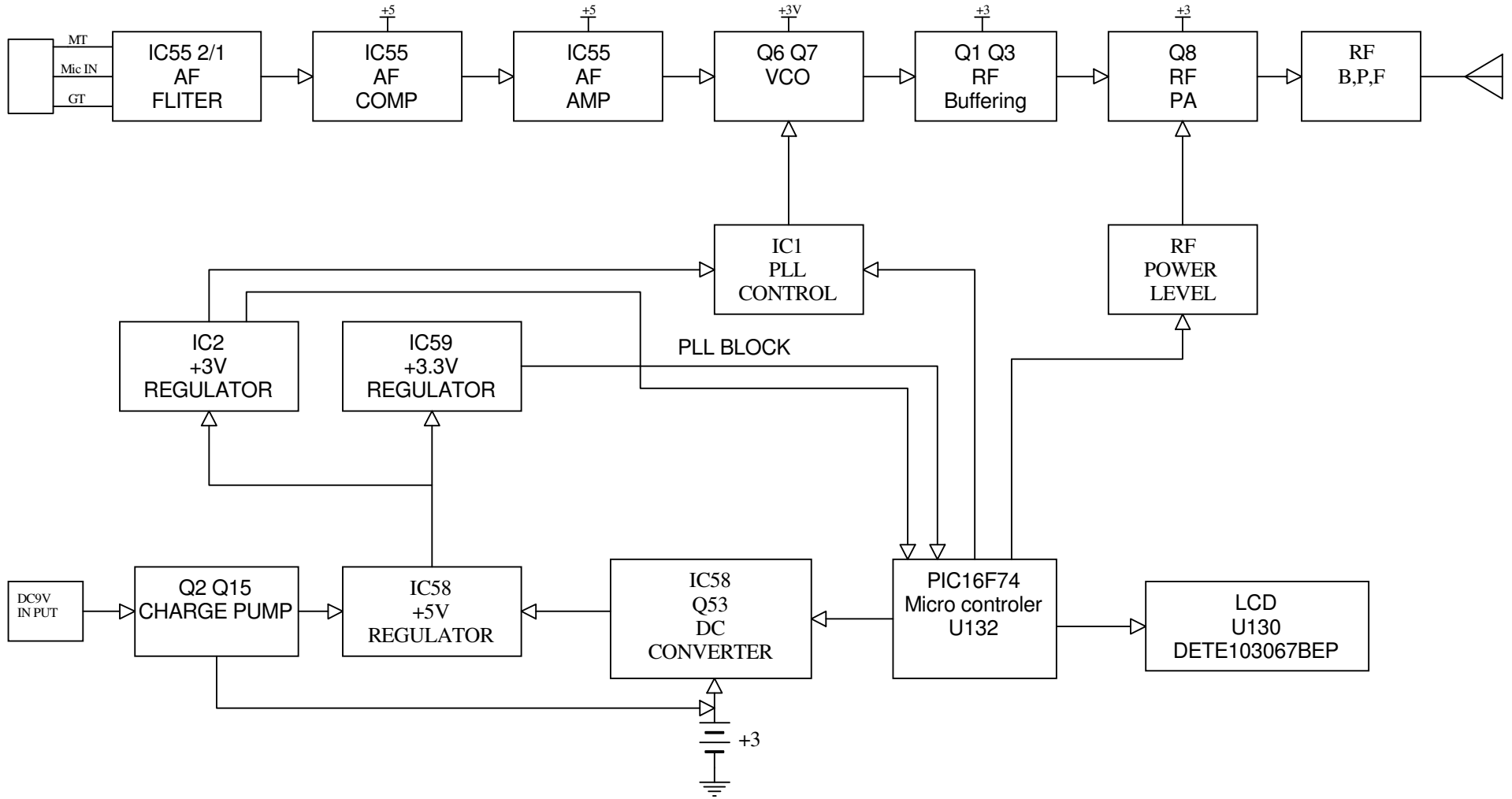


# AU-800P BLOCK DIAGRAM



03\_1

Title: AU-800P BLOCK DIAGRAM		
Size: A4	Model NO. AU-800P	Revision: VER060121
Date: 9-May-2006	Sheet of: 1	
File: AU-800P BLOCK DIAGRAM.sch	Drawn By: C.L	