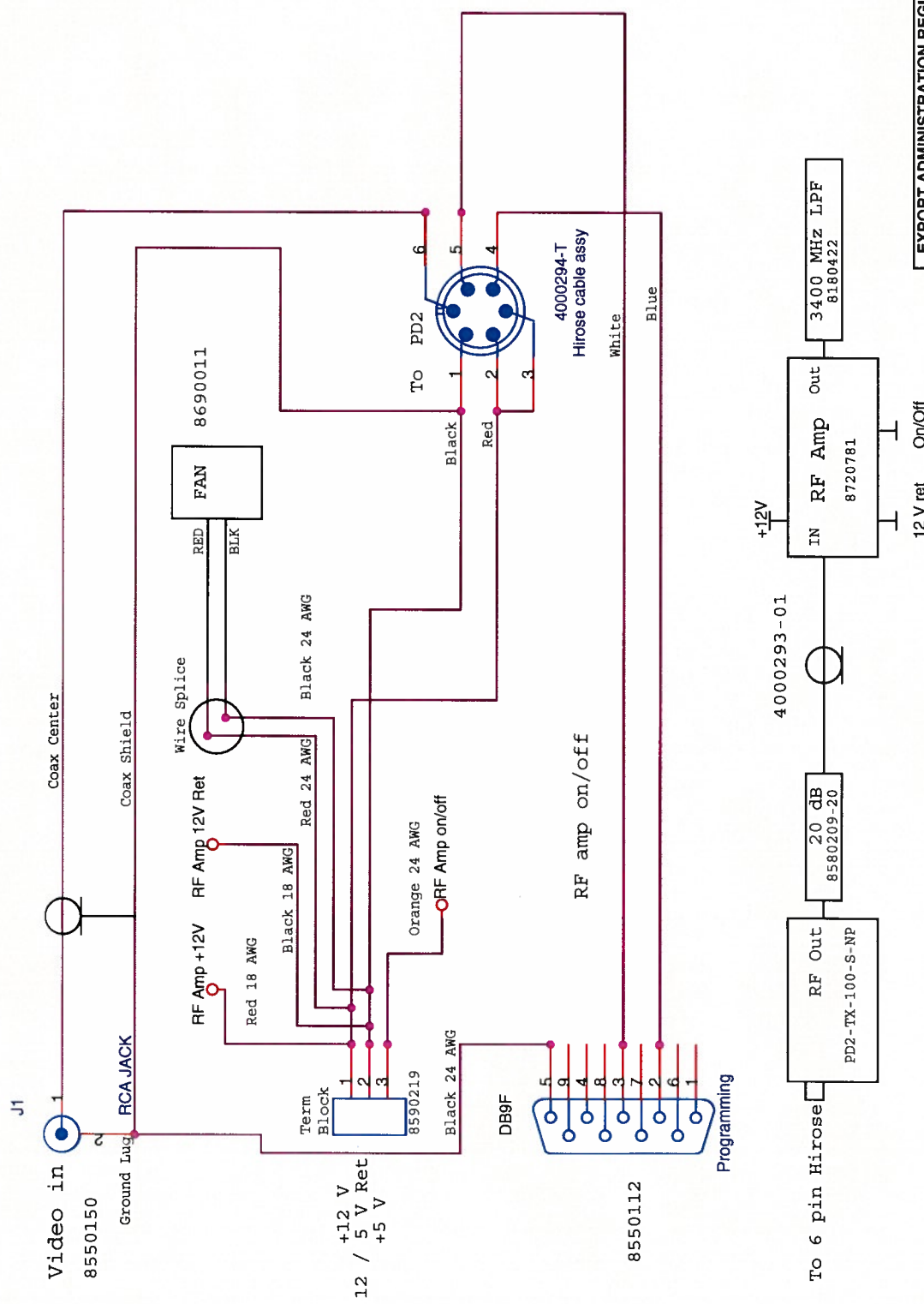


NOTE: Tin and solder wires together before inserting into terminasl block.



EXPORT ADMINISTRATION REGULATIONS (EAR) NOTICE
 THESE COMPONENTS, TECHNOLOGY OR SOFTWARE ARE EXPORTED FROM THE UNITED STATES IN ACCORDANCE WITH THE EXPORT ADMINISTRATION REGULATIONS. EXCEPT AS NOTED, THIS IS UNCLASSIFIED.

COBHAM

DTC COMMUNICATIONS INC.
 486 AMHERST STREET, NASHUA, NH 03063
 DTC COMMUNICATIONS INC. DBA COBHAM SURVEILLANCE
 WWW.COBHAMI.COM/DTC

TITLE: SCH, PALLADIUM II TX, 5W, S BAND, TOP LE

Size	Document Number	Rev
A	1180847	0.002

Date: Tuesday, December 27, 2011 1 of 1 Sheet

REVISION HISTORY

REV	DESCRIPTION	ECO#	DATE	CHG BY	PROJ ENG	MECH ENG	DOC	DRN
1	PRELIMINARY RELEASE	XXXX	XX/10	XXX				

THIS DRAWING IS THE SOLE PROPERTY OF DTC COMMUNICATIONS INC. THE CONTENTS ARE PROPRIETARY IN NATURE AND ARE NOT TO BE COPIED OR OTHERWISE DISCLOSED TO OTHERS.