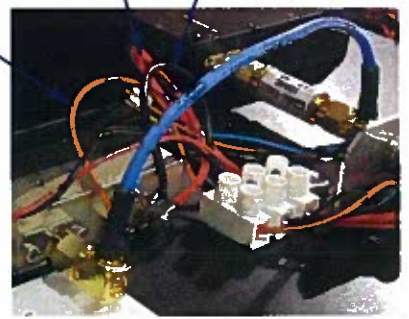
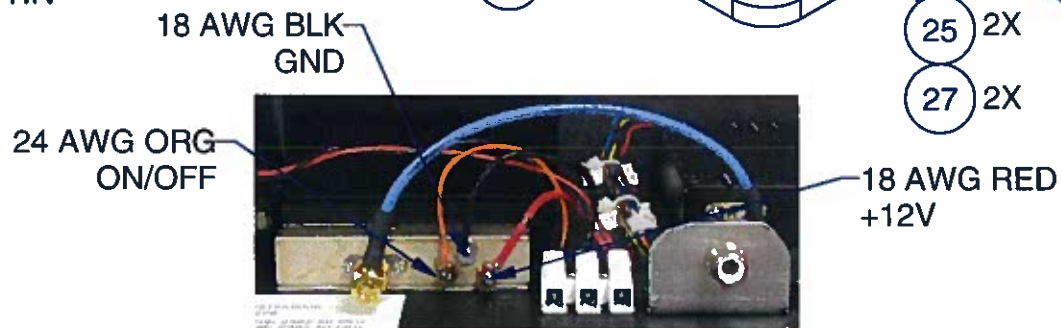
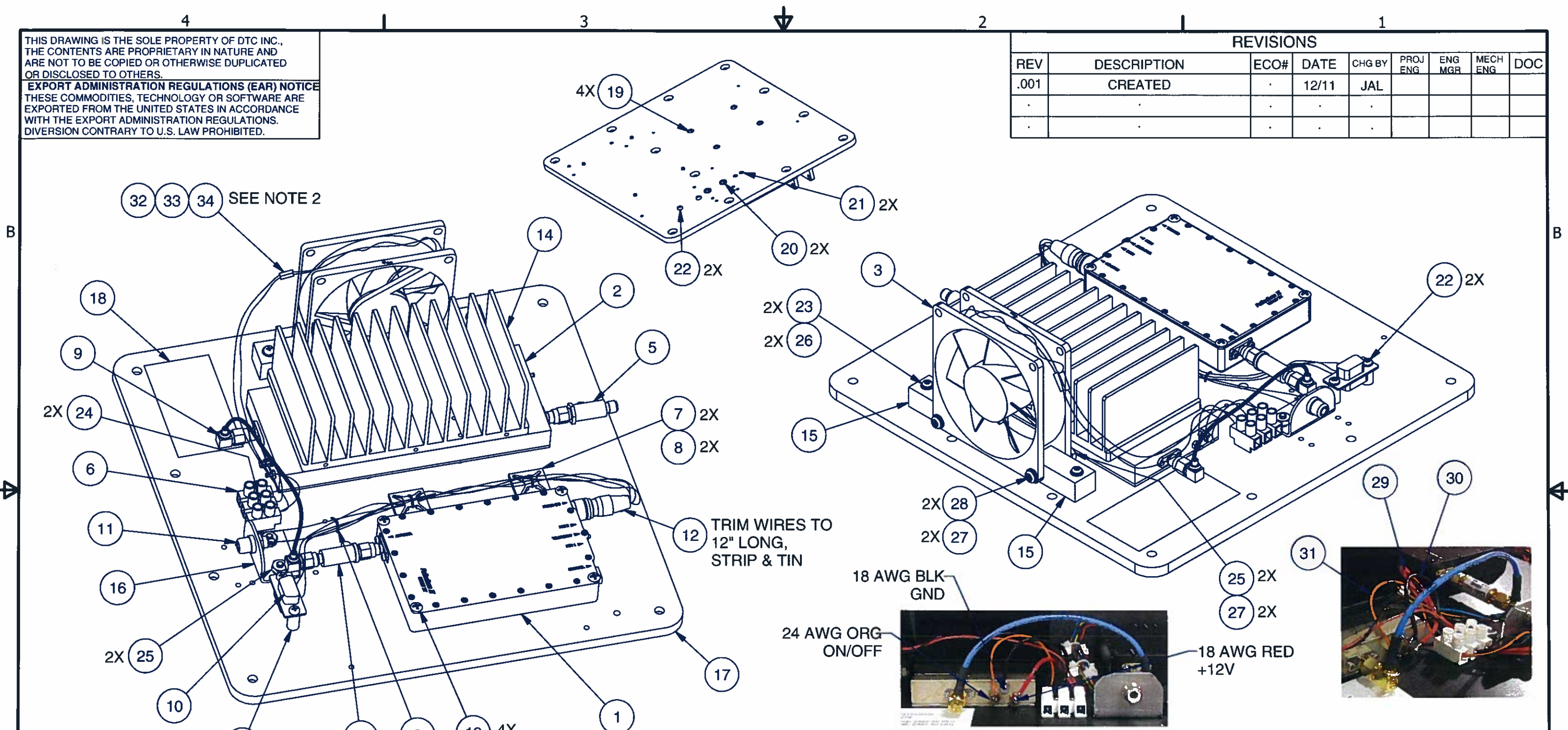


THIS DRAWING IS THE SOLE PROPERTY OF DTC INC., THE CONTENTS ARE PROPRIETARY IN NATURE AND ARE NOT TO BE COPIED OR OTHERWISE DUPLICATED OR DISCLOSED TO OTHERS.

**EXPORT ADMINISTRATION REGULATIONS (EAR) NOTICE**  
 THESE COMMODITIES, TECHNOLOGY OR SOFTWARE ARE EXPORTED FROM THE UNITED STATES IN ACCORDANCE WITH THE EXPORT ADMINISTRATION REGULATIONS. DIVERSION CONTRARY TO U.S. LAW PROHIBITED.

REVISIONS								
REV	DESCRIPTION	ECO#	DATE	CHG BY	PROJ ENG	ENG MGR	MECH ENG	DOC
.001	CREATED	.	12/11	JAL				
.	.	.	.	.				
.	.	.	.	.				



**NOTES:**

- FOR WIRING DETAILS SEE SCHEMATIC DIAGRAM 1180847.
- STRIP AND TIN BOTH ENDS OF ONE 8" RED WIRE (I-32) AND ONE 8" BLACK WIRE (I-33). SOLDER WIRES ONTO THE RED AND BLACK WIRES THAT ARE PART OF THE FAN (I-3). COVER EACH SPLICE WITH 1/2" PIECE OF SHRINK TUBING (I-34).

DIMENSIONS ARE IN INCHES UNLESS OTHERWISE SPECIFIED. TOLERANCES ARE:		SIGNATURES		DATE
DEC .X ± .020	FRAC. ± 1/64	DRAWN judlab		12/20/2011
.XX ± .010	ANG. ± 1°	CHECKED		
.XXX ± .005	EDGE/CORNER/BREAKS	PROJ ENG		
SUR FIN ✓	.005/.010	ENG MGR		
DO NOT SCALE PRINT		MECH ENG		
THIRD ANGLE PROJECTION		DOC		
		OTHER		

**COBHAM**  
 DTC COMMUNICATIONS, INC.  
 486 AMHERST ST. NASHUA, NH 03063  
 DTC COMMUNICATIONS, INC. DBA COBHAM SURVEILLANCE  
 WWW.COBSHAM.COM/DTC

TITLE  
**PALLADIUM II TX, 5W, S BAND, TOP LEVEL**

SIZE B	DWG NO A11a	REV .001
-----------	----------------	-------------

SCALE AUTODESK INVENTOR FILE SHEET 1 OF 1