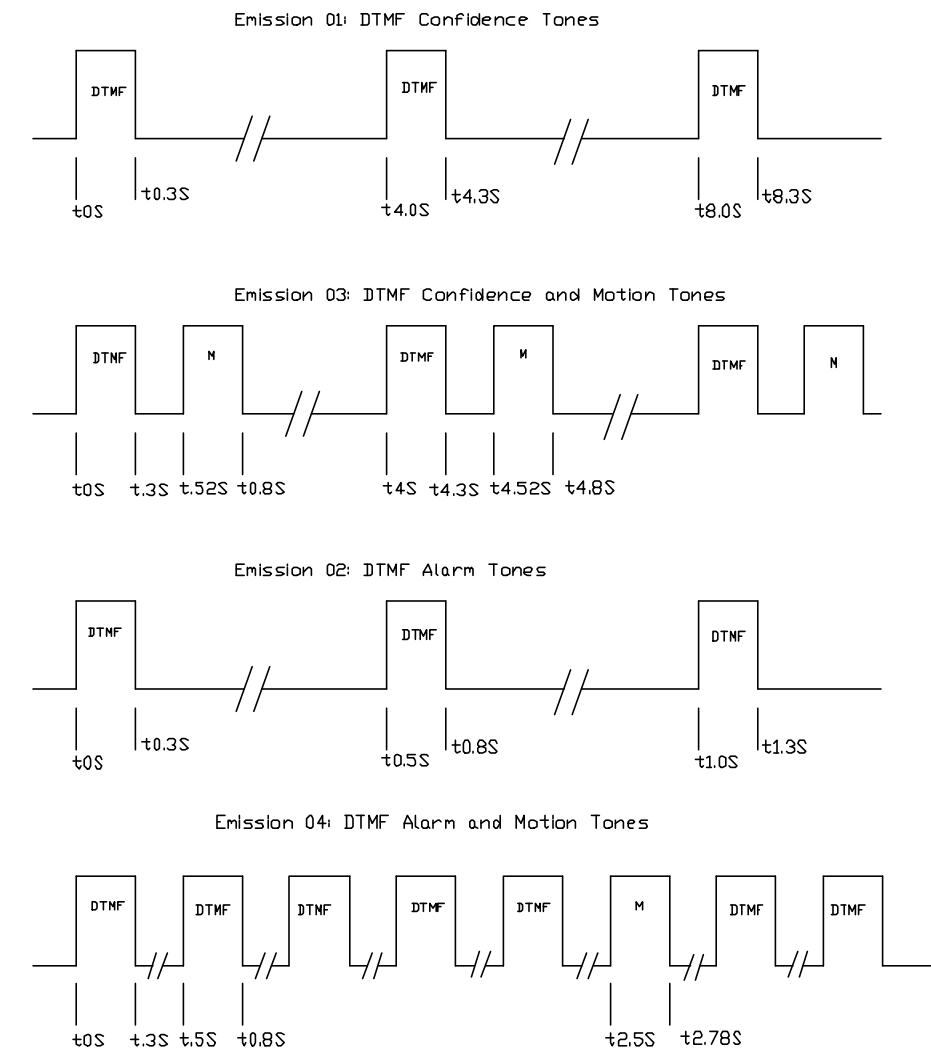
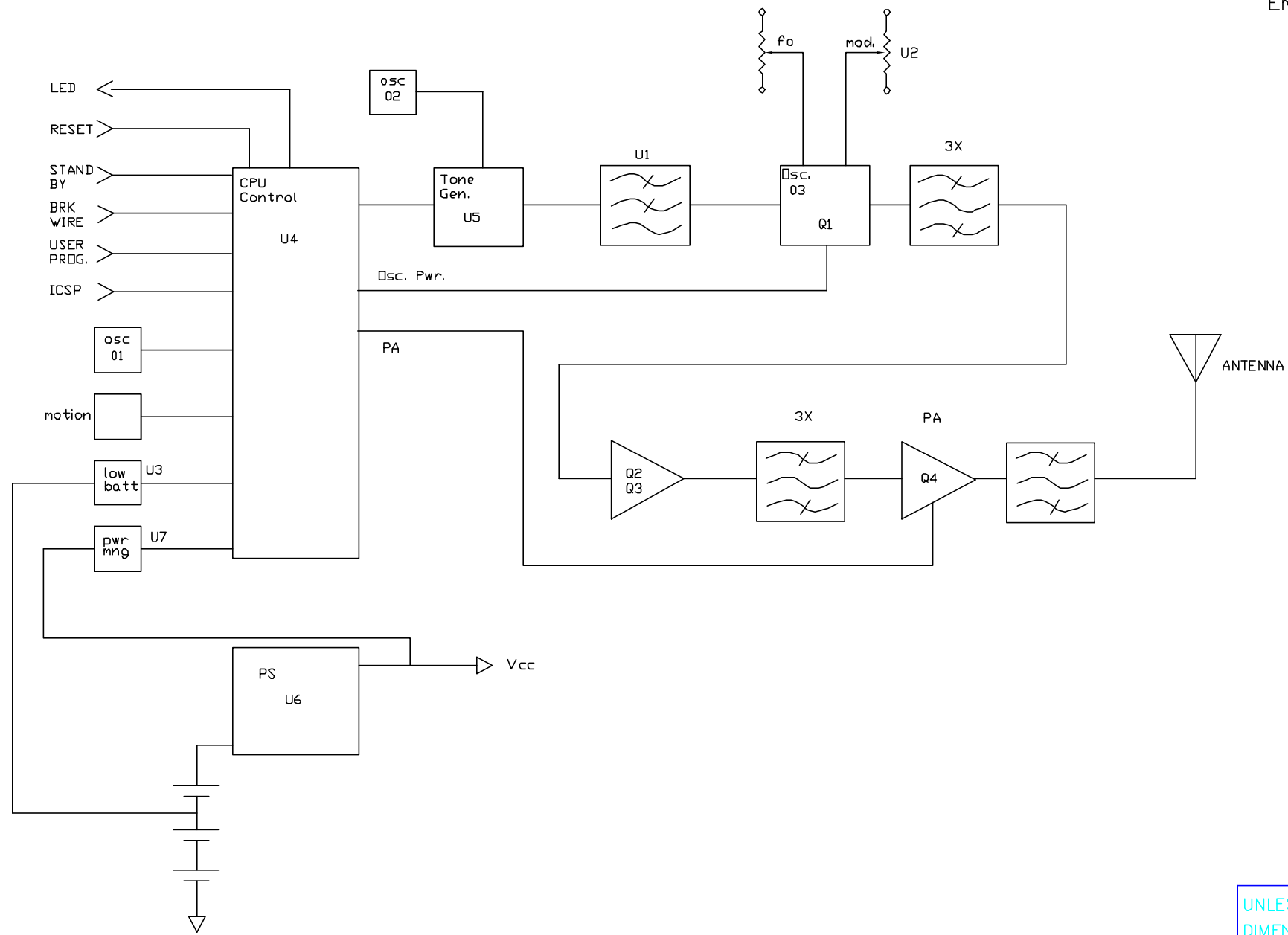


THIS DRAWING IS THE SOLE PROPERTY OF DTC INC., THE CONTENTS ARE PROPRIETARY IN NATURE AND ARE NOT TO BE COPIED OR OTHERWISE DUPLICATED OR DISCLOSED TO OTHERS.

REVISIONS


REV	DESCRIPTION	ECO#	DATE	DOC	MFG	ENG
A	PRELIM RELEASE					

Osc. 01 Control Processor Clock 32.768 kHz.  
 Osc. 02 Tone Processor Clock 3.58 MHz.  
 Osc. 03 Fundamental LO 16 - 20 MHz.  
 FM Modulation Typical +/- 2.75kHz., +/- 250Hz.  
 Output Power (@ 50 Ohms) Typical 50 mW @ 8.6Vdc  
 Emission Diagram Typical



APPROVALS	DATE	APPROVALS	DATE
DRN		ENG. MGR.	
CHK		DOC.	
PROJ. ENG.		MKT. MGR.	
MFG. ENG.		PURCHASING	

UNLESS SPECIFIED  
 DIMENSIONS ARE IN INCHES  
 TOLERANCES:  
 DECIMALS ANGLES  
 .XX± .01 ± \_\_\_\_\_  
 .XXX± .005  
 MATERIAL: SEE NOTE 1  
 FINISH: SEE NOTE 2  
 DO NOT SCALE PRINT


**DTC COMMUNICATIONS INC.**  
 75 NORTHEASTERN BLVD, NASHUA, NH 03062  
**LB-1 SYSTEM BLOCK DIAGRAM**  
 B DWG. No. REV A  
 SCALE NONE SHEET 1 OF 1