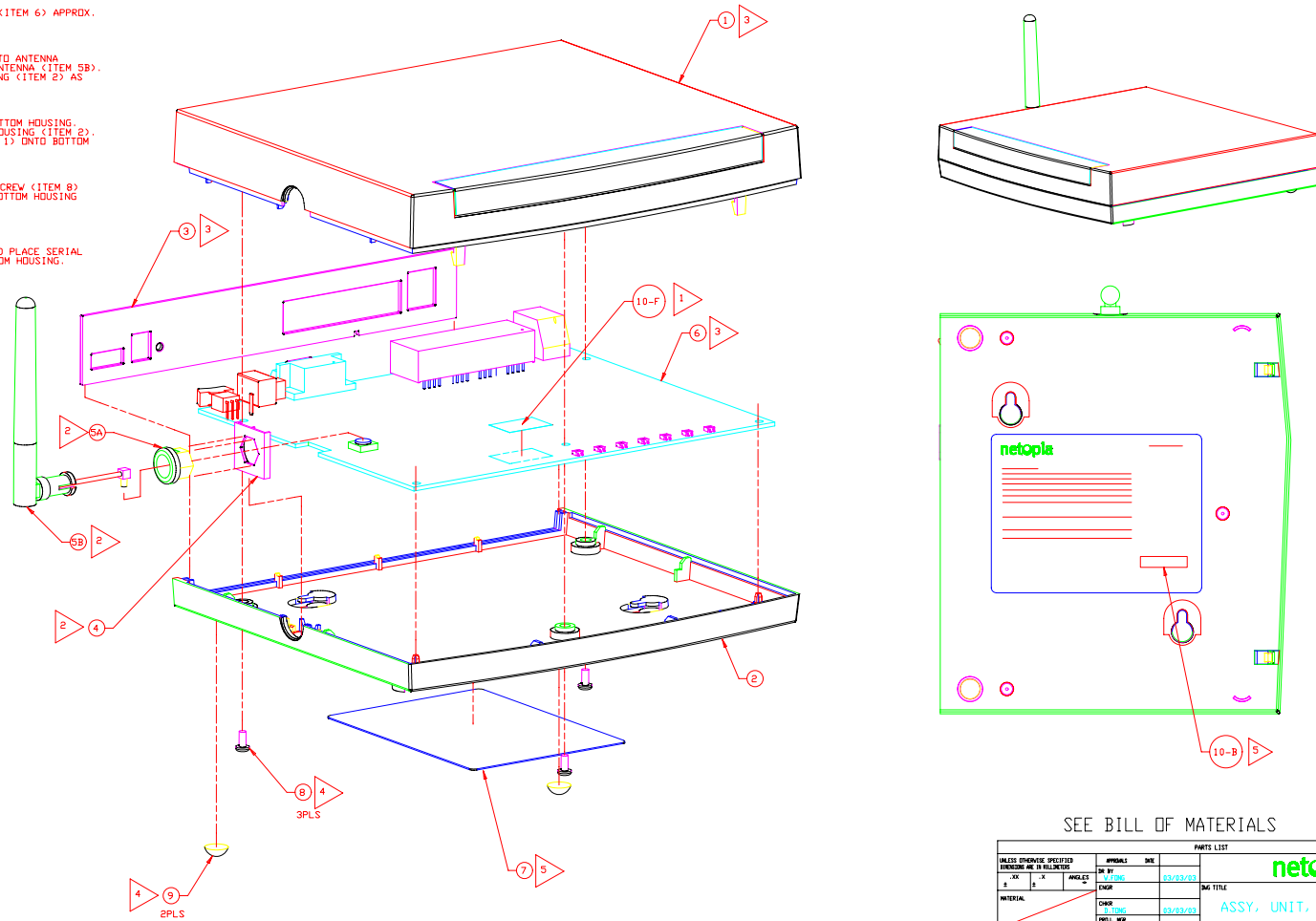


CONFIDENTIAL- UNAUTHORIZED USE, DISCLOSURE OR REPRODUCTION IS EXPRESSLY PROHIBITED.

REVISIONS					
ZONE	REV	DESCRIPTION	DATE	EGD NO.	CHG BY
	A	RELEASE TO PROTOTYPE	03/03/03	----	VF

NOTES: UNLESS OTHERWISE SPECIFIED:

- 1 PLACE LABEL (ITEM 10-F) ON PCBA (ITEM 6) APPROX. WHERE SHOWN.
- 2 INSERT ANTENNA RING (ITEM 5A) INTO ANTENNA FIXTURE (ITEM 4); THEN SNAP IN ANTENNA (ITEM 5B); SLIDE ASSEMBLY ONTO BOTTOM HOUSING (ITEM 2) AS SHOWN.
- 3 PLACE BACKPANEL (ITEM 3) ONTO BOTTOM HOUSING; LOAD PCBA (ITEM 6) ONTO BOTTOM HOUSING (ITEM 2); ASSEMBLE TOP CASE ASSEMBLY (ITEM 1) ONTO BOTTOM HOUSING.
- 4 FASTEN UNIT WITH THREAD FORMING SCREW (ITEM 8) 3PLS., AND PLACE RUBBER FEET ON BOTTOM HOUSING (ITEM 2) 2PLS.
- 5 ATTACH PRODUCT LABEL (ITEM 7) AND PLACE SERIAL NUMBER LABEL (ITEM 10-B) ON BOTTOM HOUSING (ITEM 2) WHERE SHOWN.



SEE BILL OF MATERIALS

UNLESS OTHERWISE SPECIFIED DIMENSIONS ARE IN MILLIMETERS				PARTS LIST	
DESIGNER	DATE	APPROVALS	DATE	netopia	
ENG	03/03/03	BY	03/03/03		
MATERIALS	CHKD	PROJ. MGR	03/03/03	ASSY. UNIT, RTR W/LESS	
FINISH	GC			DWG NO.	REV
				8970939-00-P1	A
				SCALE: NONE	On File: 8970939-00-P1 sheet 1 of 1