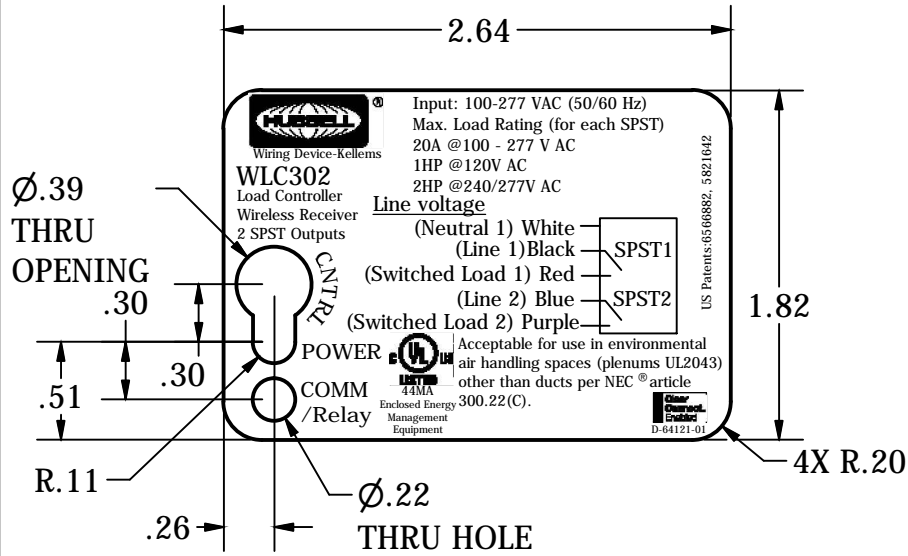


D-64121

DR. NO.

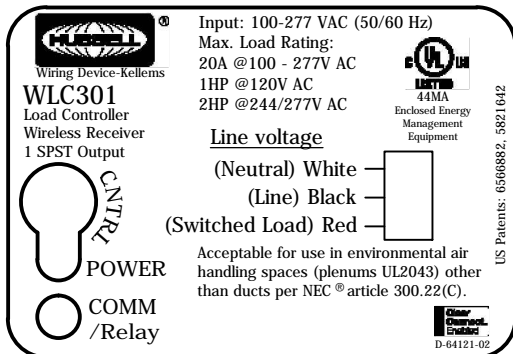
SHEET

SUB	REVISION
1	6/19/2013 NEW RELEASE PER DCN #19877. DL
2	7/22/2013 FCC MODEL "WLCA" WAS "WLCU301" OF -03 PER DCN #20037. DL
3	9/17/13 REMOVED FCC LOGO PER DCN #20075. DMP



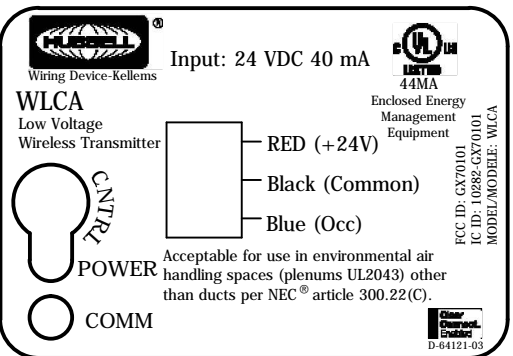
NOTES: (UNLESS OTHERWISE SPECIFIED)

1. MATERIAL: .002" THICKNESS WHITE POLYESTER BASE, TYPE A LABEL STOCK SHALL BE UL RECOGNIZED (CATEGORY PGDQ2) PER UL969 AND CSA ACCEPTED FOR INDOOR & OUTDOOR USE AFFIXED TO SABIC VALOX 365 (CSA GROUP VIII) SPI #B1 FINISH SURFACE, TEMPERATURE RATED -40°C MIN./80°C MAX.
2. LABEL TO BE WHITE WITH BLACK PRINT, PERMANENT ADHESIVE.
3. ALL DIMENSIONS ARE IN INCHES.
4. ARTWORK TO BE APPROVED BY HUBBELL ENGINEERING PRIOR TO PRODUCT RUN.
5. THIS DRAWING IS A FACSIMILE REPRESENTATION OF THE ORIGINAL ARTWORK MAINTAINED BY VENDOR OR OTHER SOURCE, THE ORIGINAL ARTWORK DEFINES THE ACTUAL LAYOUT OF GRAPHICS, TEXT SIZE, FONT STYLE & COLOR PALETTE.
6. DATE CODE AND LABEL VENDOR ID TO BE SHOWN ON LABEL.



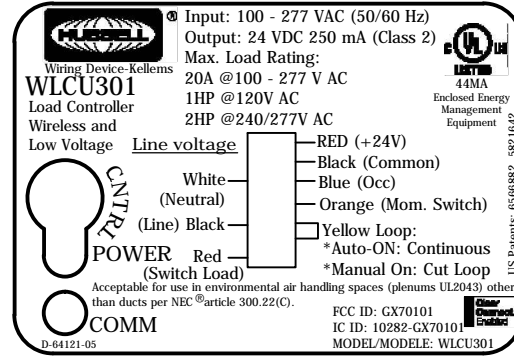
THIS PART IS THE SAME AS -01 EXCEPT FOR ARTWORK

-02



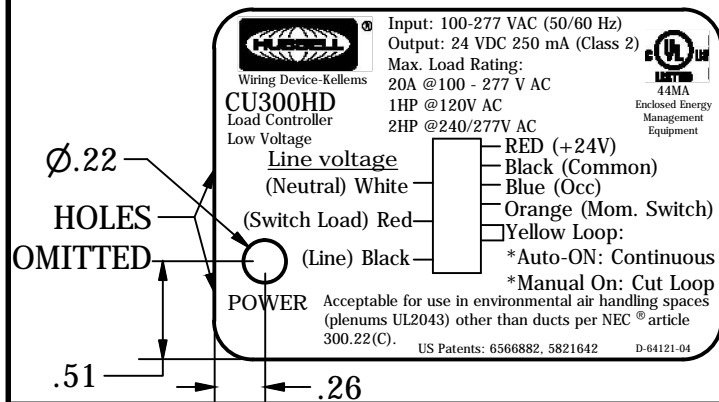
THIS PART IS THE SAME AS -01 EXCEPT FOR ARTWORK

-03



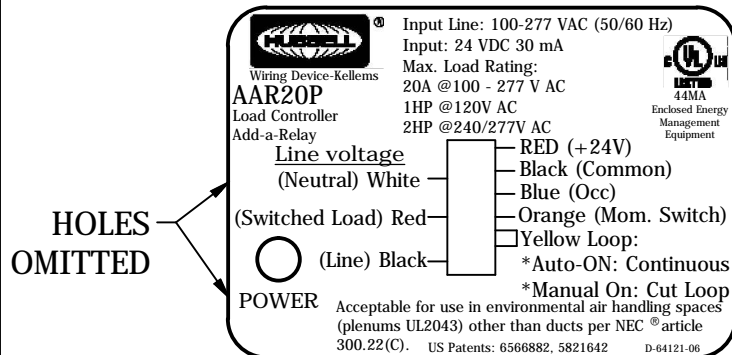
THIS PART IS THE SAME AS -01 EXCEPT FOR ARTWORK

-05



THIS PART IS THE SAME AS -01 EXCEPT FOR HOLES AND ARTWORK

-04

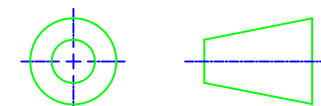


THIS PART IS THE SAME AS -04 EXCEPT ARTWORK

-06

D-64121-01

"IN ACCEPTING OUR DRAWINGS OR BLUEPRINTS FOR QUOTATION OR OTHER PURPOSES, YOU AGREE NOT TO DISCLOSE TO OTHERS THE IDEAS, INFORMATION OR DESIGNS THEREIN SHOWN, AND THAT YOU WILL MAKE NO USE OF OUR DRAWINGS OR BLUEPRINTS OR OF THE IDEAS, INFORMATION OR DESIGNS THEREIN SHOWN WITHOUT OUR PERMISSION."



ISO STANDARD FOR 3rd ANGLE PROJECTION

DO NOT SCALE DRAWING USE DIMENSIONS ONLY

MATERIAL SPECIFICATIONS

MATERIAL:

SEE NOTE #1

FINISH:

NONE

TITLE
FRONT LABEL, POWER PACK

TOLERANCES UNLESS OTHERWISE SPECIFIED .XX = ±.01 .XXX = ±.005 .XXXX = ±.0025 ANGLE TOL. ±1°	WIRING DEVICE-KELLEMS HUBBELL INCORPORATED SHELTON, CT.	
PROJECT NO. 2011-004	DR. BY DL	APP. BY
DR. NO.	TR. BY DL	SCALE 1:1
	CHK. BY	DATE 6/8/2012

D-64121

SHEET 1 OF 1