
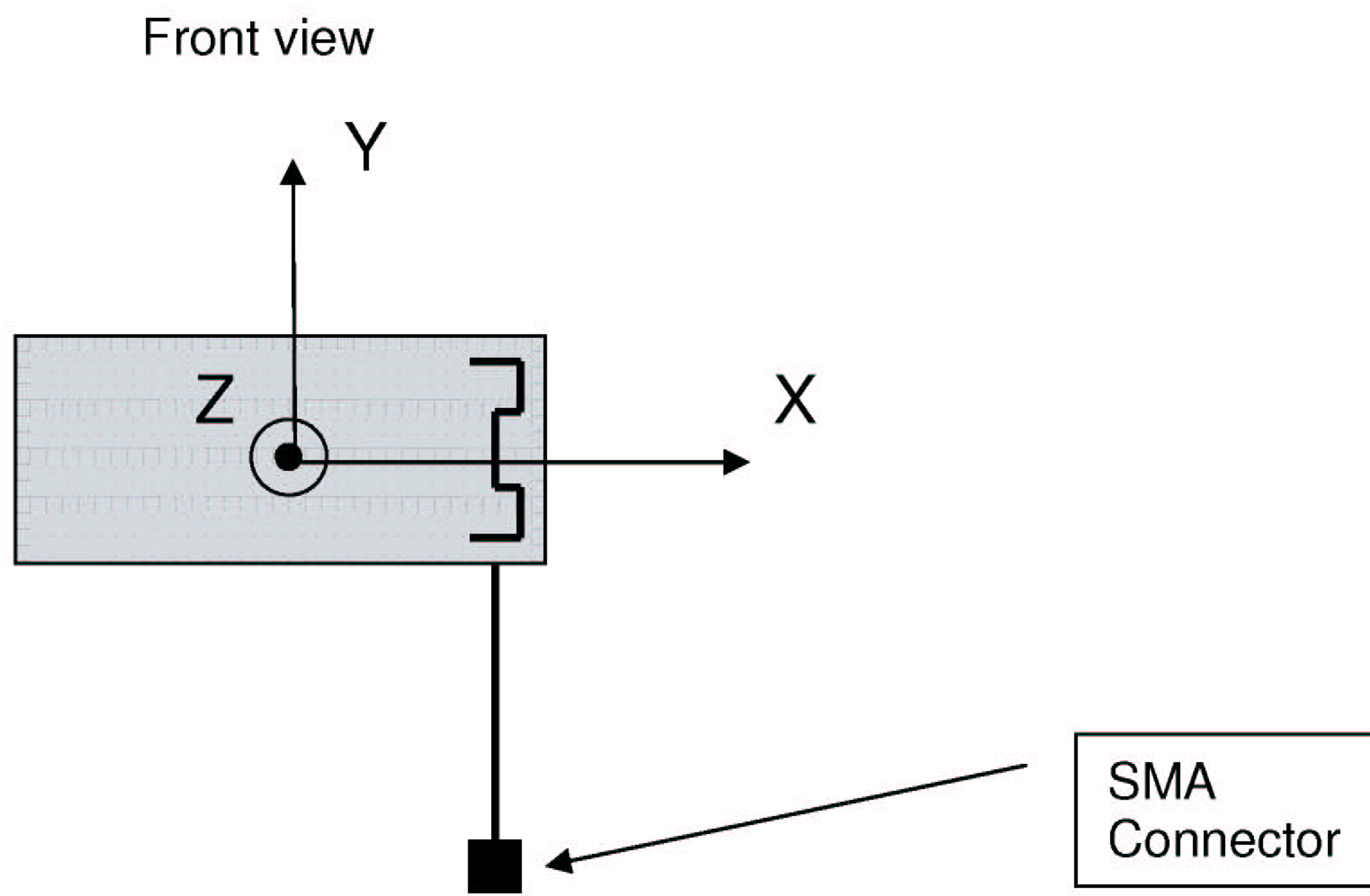
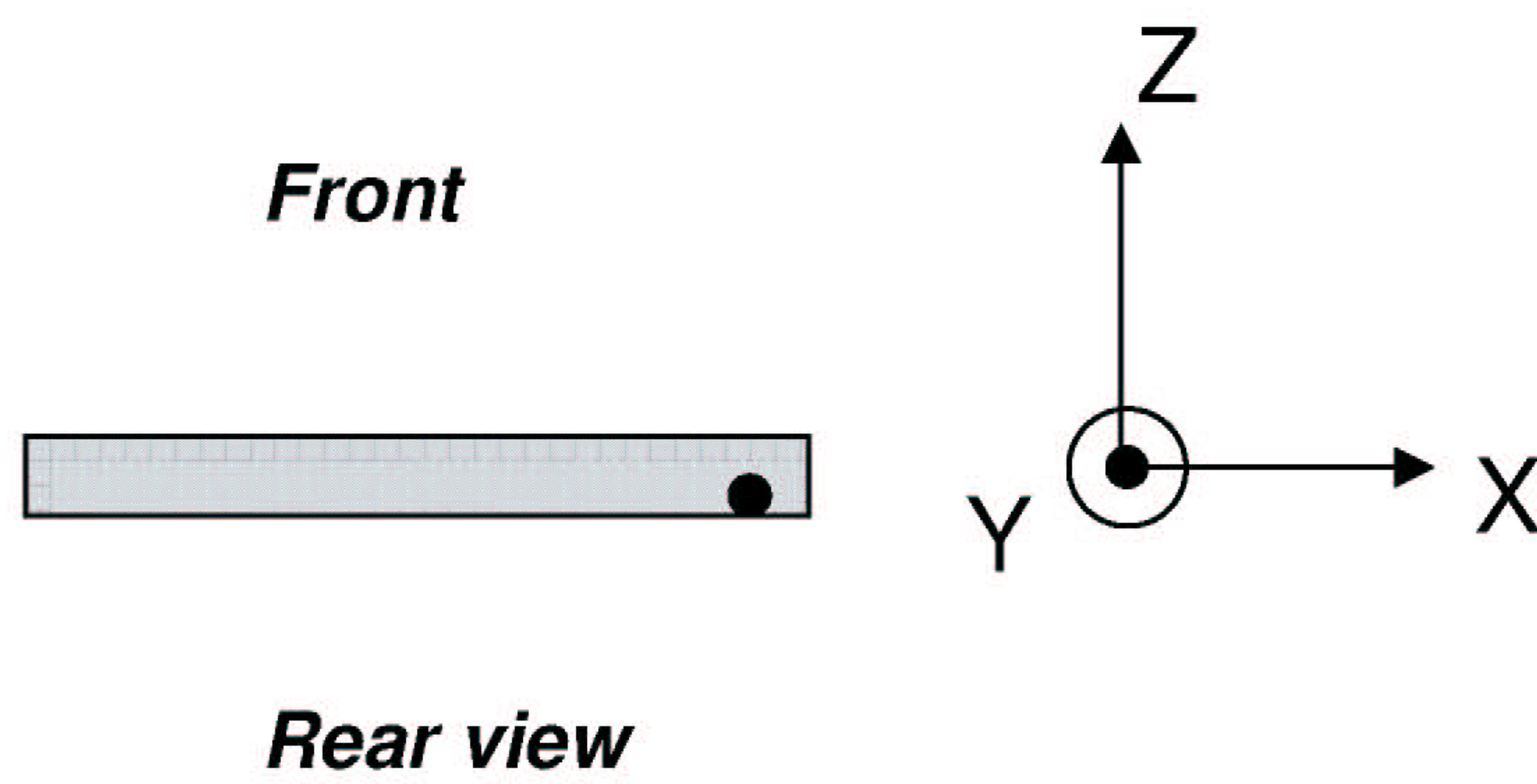
	Document No. IM-CPE04-1304-001	
	Date Issued: 2005.1.28	Revision: 1.0
Antenna Pattern of Bluetooth USB Dongle CB3200		
Approved by: Bryan Lee	Prepared by: C.F Liu/ Bryan Lee	
Department : Wireless Communication Department, CPE R&D Division		

1. Coordinate System Reference:

Top View:



Side View:



2. Radiation pattern: XZ Plane

Degree	XZ
0	0.3
45	0.3
90	2.5
135	0.4
180	-4
225	1.2
270	0.3
315	-3.2

