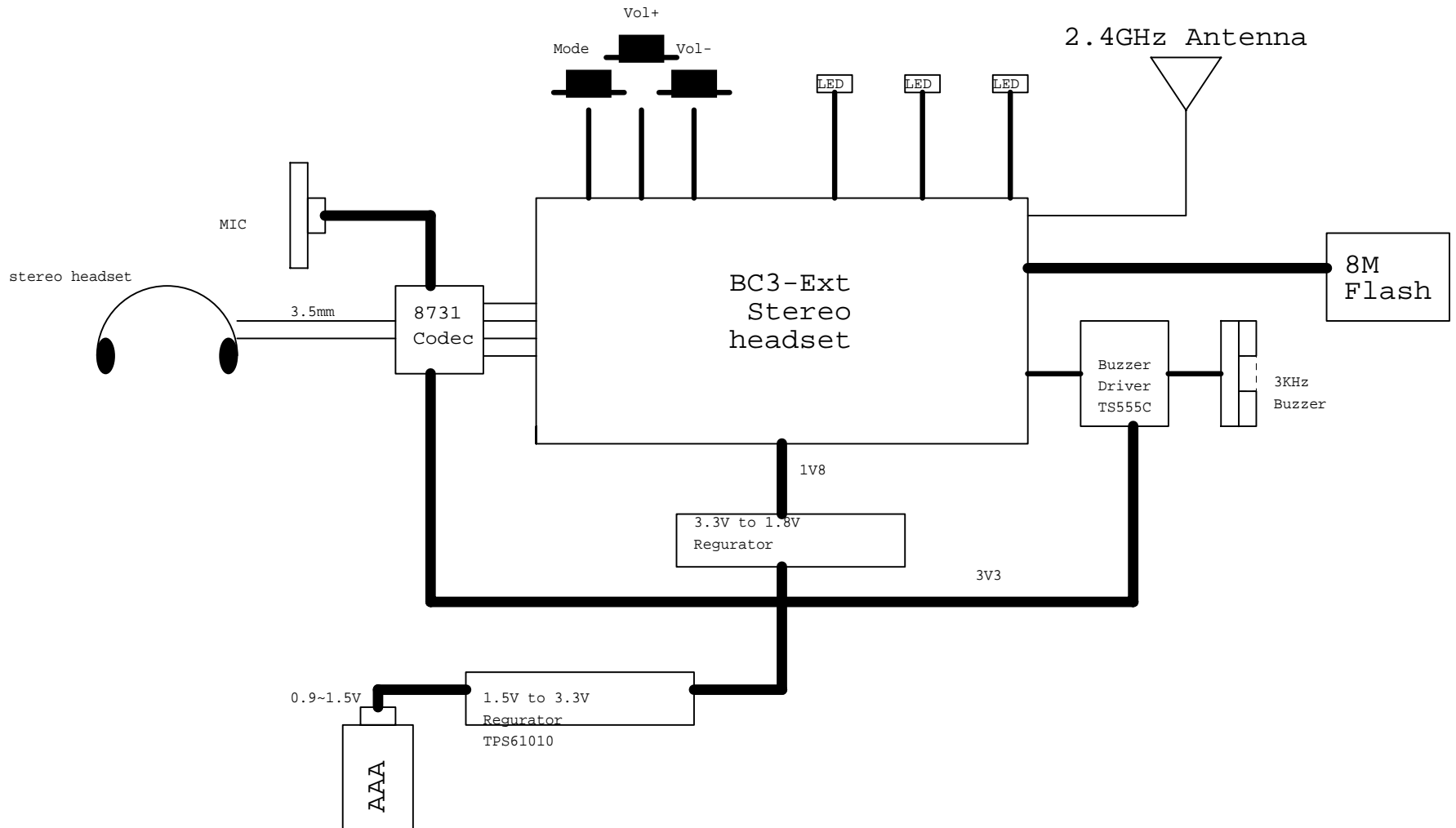

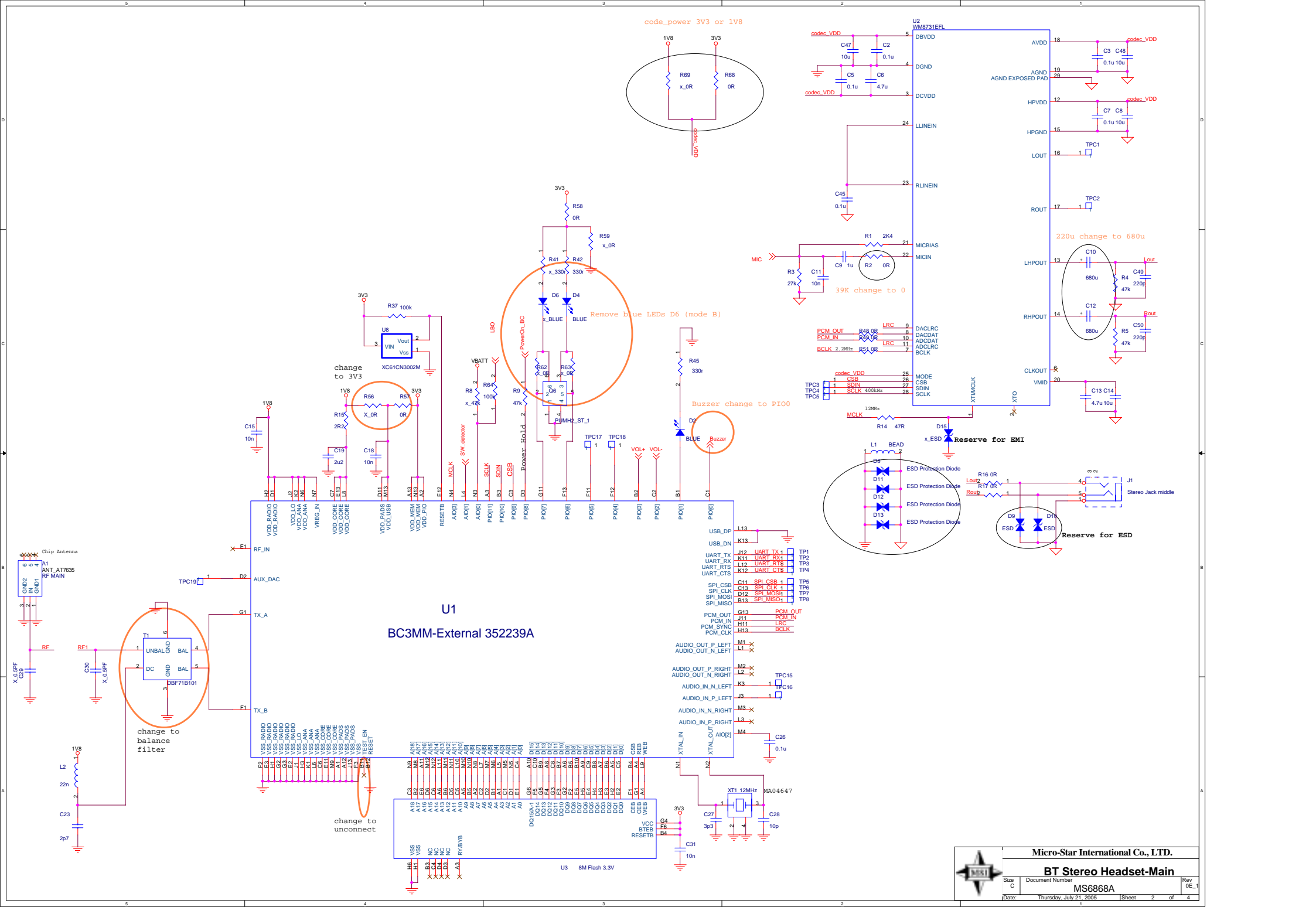


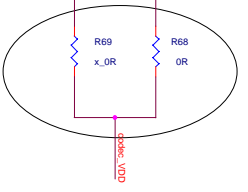
Stereo Headset- Sink side



	Micro-Star International Co., LTD.		
	BT Stereo Headset Block-Diagram		
	Size A	Document Number MS6868A	Rev 0E_1
Date: Thursday, July 21, 2005		Sheet 1 of 4	



code_power 3V3 or 1V8



Remove blue LEDs D6 (mode B)

Buzzer change to PI00

change to 3V3

change to balance filter

220u change to 680u

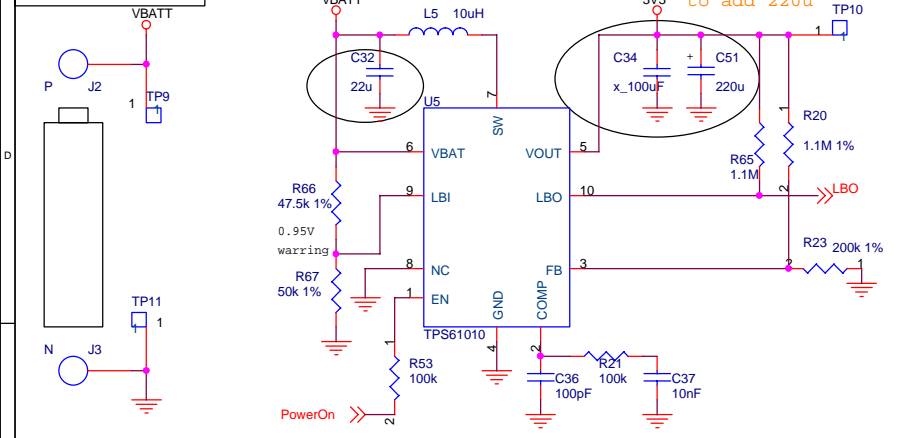
39K change to 0

Reserve for EMI

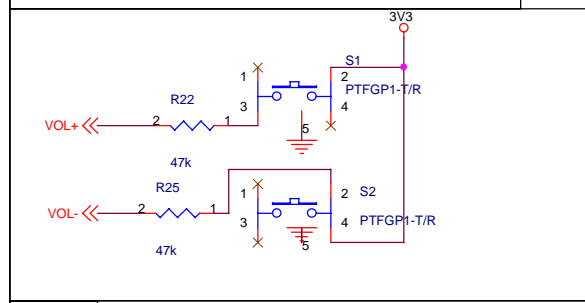
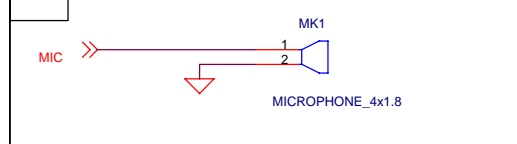
Reserve for ESD

change to unconnect

3V3 converter



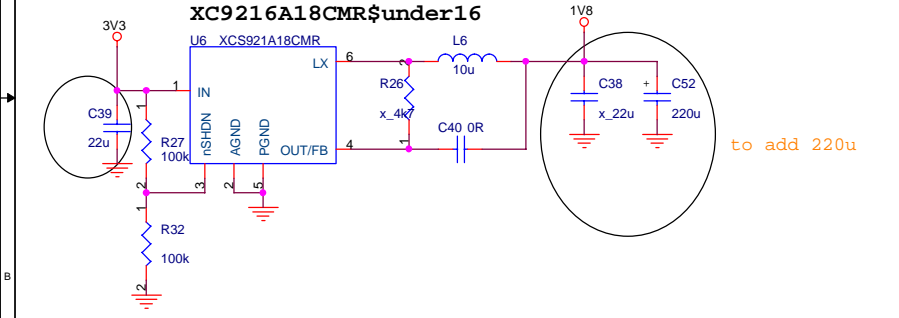
Mic



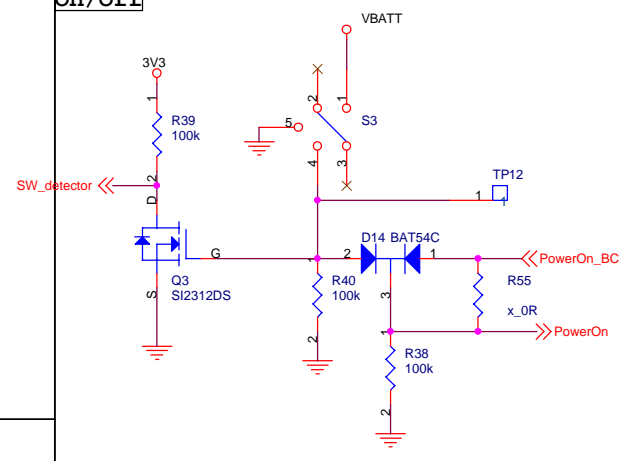
1V8 converter

11.If change to XCS921A18CMR;
L6=3.3uH;remove R26;
C40=0R or XC9216A18CMR\$under16

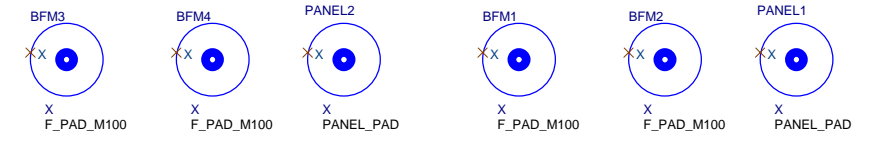
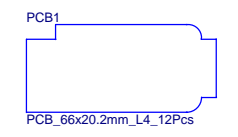
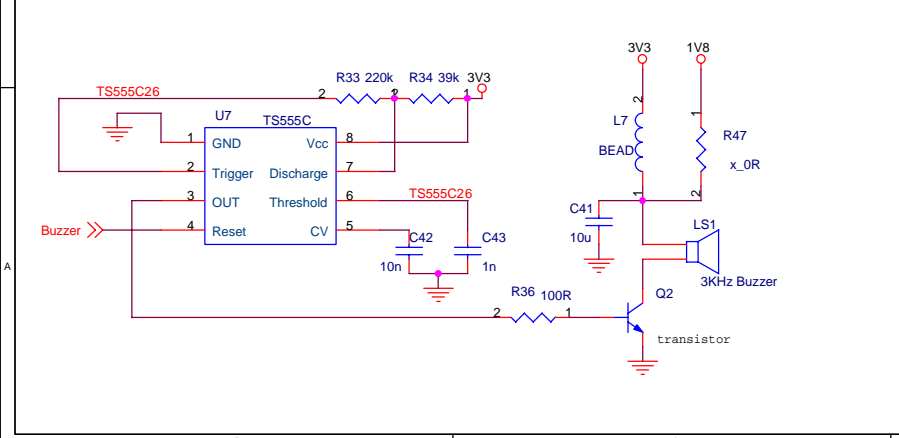
11.If change to MAX1921EUT18-T;
L6=10uH;R26=4k7;
C40=5n6



Power On/Off




3KHz Buzzer



Micro-Star International Co., LTD.		
Test points		
Size B	Document Number	Rev
	MS6868A	0E_1
Date:	Thursday, July 21, 2005	Sheet 3 of 4

MS6868-00A1	20040623 First release	
MS6868-00B10	20040915 change MAX9722B to 9722A	released
MS6868-0C8	20041022 Add Aristor and ckecked by CSR	released
MS6868-0C1	20041204 Modify Power Switch design, Fix_D7_library	
MS6868-0D1	20040318 Modify VDD_PADS and test ping	
MS6868-0E1	20040407 Booster change to TPS61010; remove three Green LEDs	
MS6868-1.0	C32、C39 change to 22u To add C51、C52 (220u) R56 change to R57 C27 change to 3p3 Because D6 and R41 don't use , so to remove C10、C12 change to 680u R2 39K change to 0	20050606

	Micro-Star International Co., LTD.		
	Version History		
Size A	Document Number MS6868A	Rev 0E_1	
Date: Thursday, July 21, 2005		Sheet 4	of 4