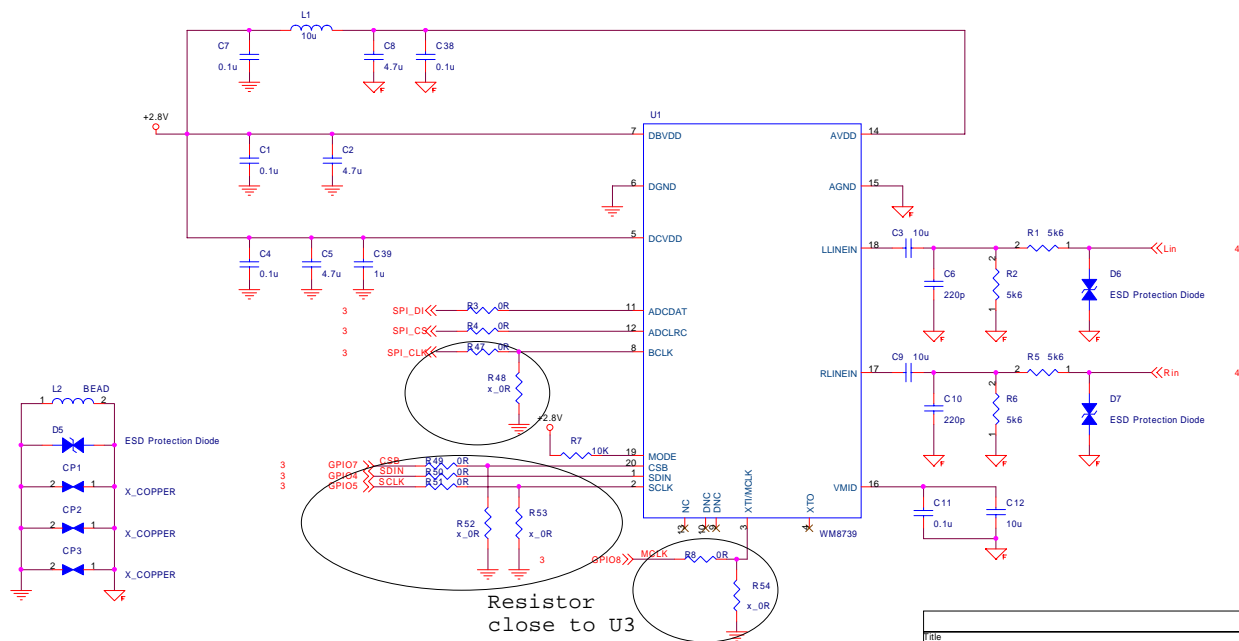
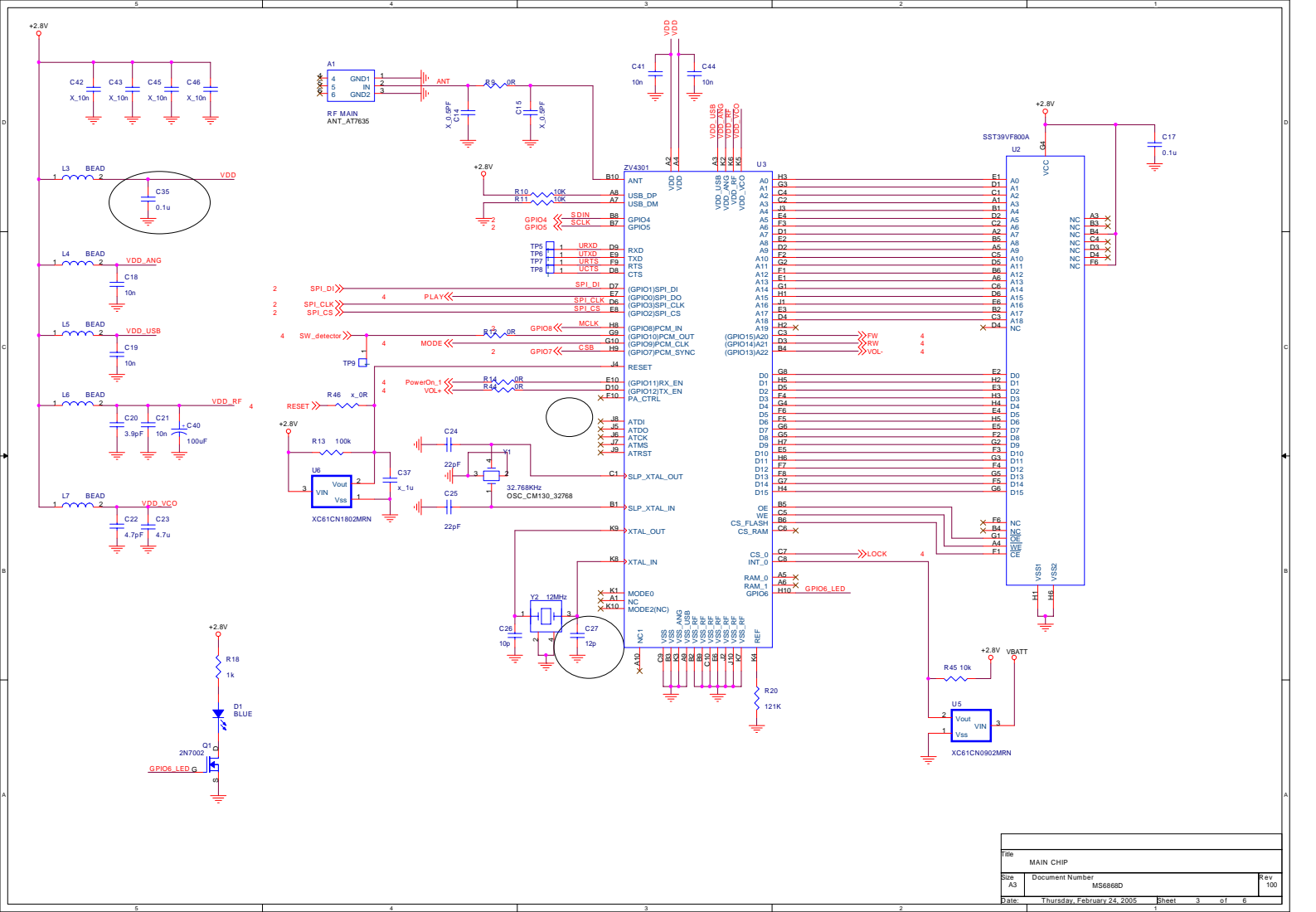


Serial control mode select :
3 Wire interface format

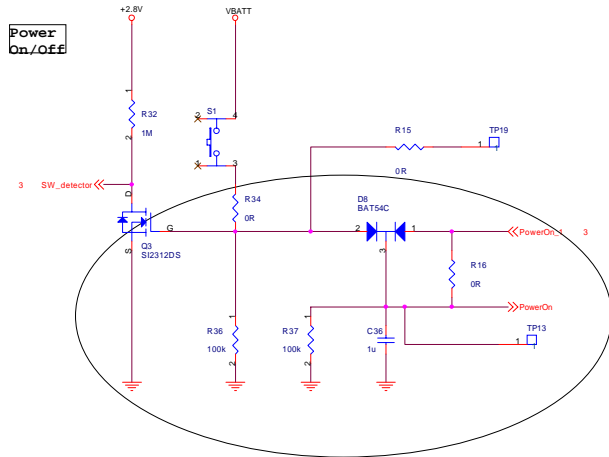
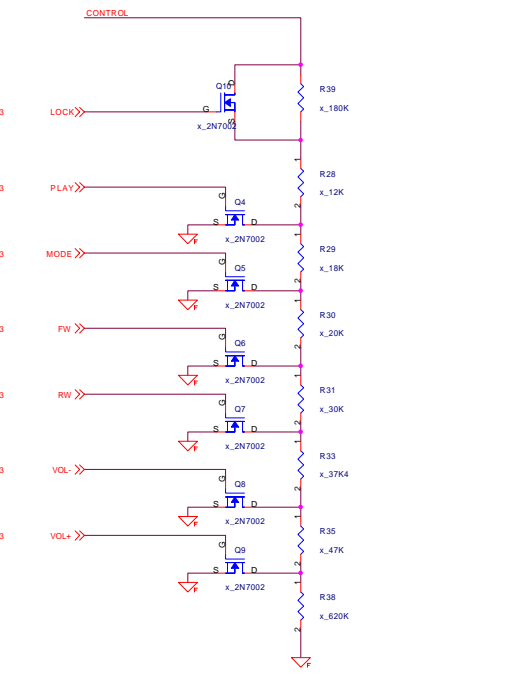
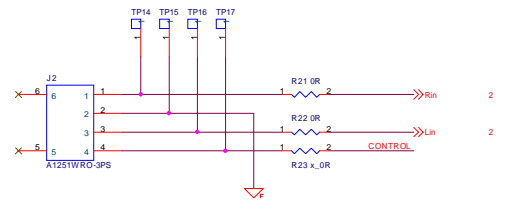
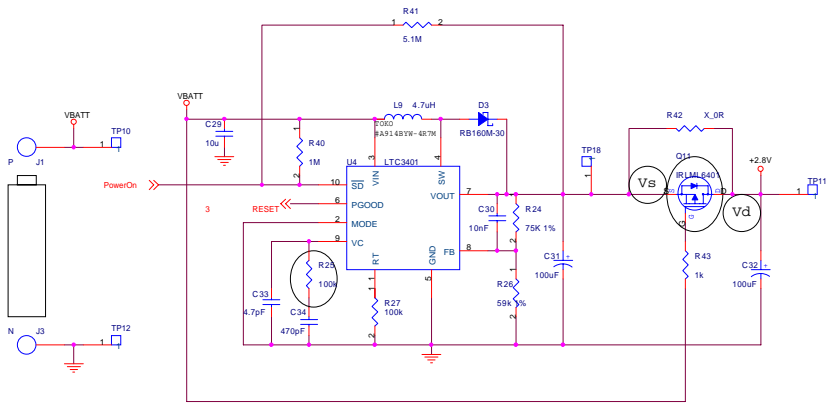


file	BT+MP3_CODEC	
Size	Document Number	Rev
B	MS6868D	100
Date:	Thursday, February 24, 2005	Sheet 2 of 6



File	MAIN CHIP	
Size	Document Number	Rev
A3	MS6868D	100
Date:	Thursday, February 24, 2005	Sheet 3 of 6

2.8V converter



Ver : 0B

Title			HEADPHONE_POWER		
Size			Document Number		
A3			MS6668D		
Date			Thursday, February 24, 2005		
Sheet			4 of 6		
Rev			100		