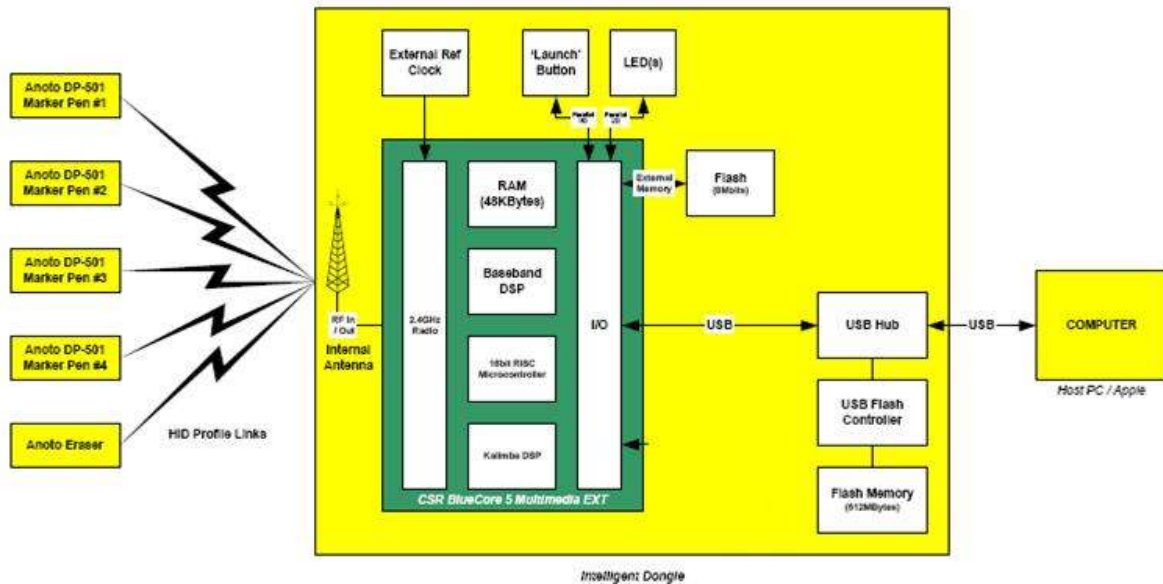


# Description of Operation

## (Nobo Kapture USB Receiver)

FCC ID: GV3V10472□□



EUT is a [USB Receiver by Bluetooth Technology](#) with [79](#) channels. This device provided of transmitting speed [1~3Mbps](#). The device of RF modulation is GFSK,  $\pi/4$ -DQPSK or 8-DPSK. The device adapts Frequency Hopping Spread Spectrum ( FHSS ). An embedded system can become Bluetooth enabled by inserting the Bluetooth RF module that interfaces to the embedded processor [via USB interface](#).

The antenna is [Printed](#) Antenna, and there is [no antenna connector](#).

With embedded system plug this Bluetooth USB Receiver, the specify pen can connect to system via Bluetooth.