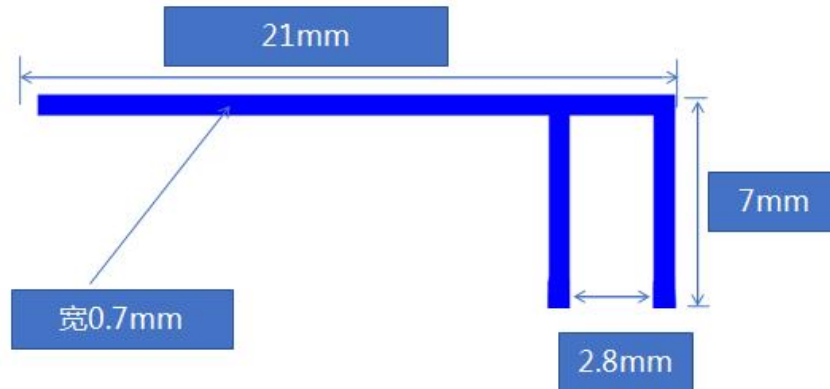


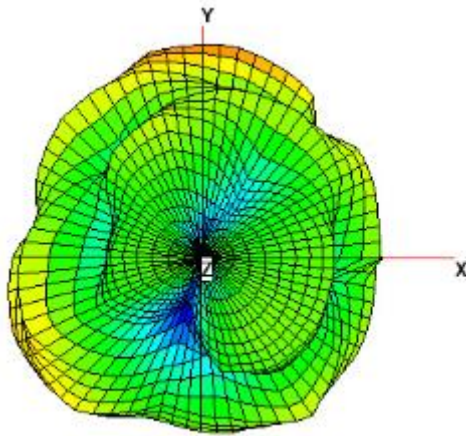
ANTENNA SPECIFICATION

Summary

ITEM	ANT SPEC					
Model Name	2.4G ANT					
Center Frequency	Horizontal			Vertical		
	2400MHz	2440MHz	2484MHz	2400MHz	2440MHz	2484MHz
	-0.1	-0.79	-0.64	-2.0	-2.83	-2.91
MAX. Gain	-0.1					
Polarization	Horizontal and Vertical					
Azimuth Beam Pattern	Omni-directional					
Impedance	50 Ohm					
Antenna Length	21mm					
Manufacture	PCB ANT Dongguan shouchuang Electronics Technology Co.,Ltd.					

Antenna Photo & Length (mm)

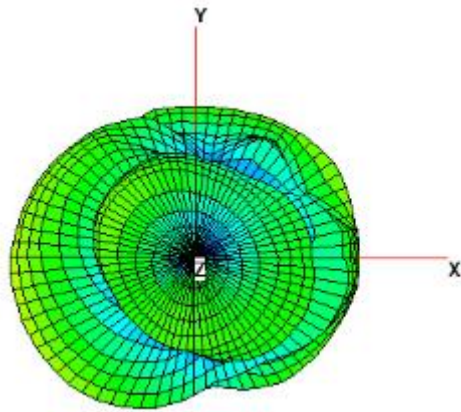




Horizontal: 2400 MHz 2440 MHz 2484 MHz
Power (dBm)

Frequency (MHz)	Gain(dB)		
	Max	Min	Avg
2400	-0.1	-14.10	-2.2
2440	-0.79	-14.35	-1.90
2484	-0.64	-14.27	-2.05

Vertical: 2400 MHz 2440 MHz 2484 MHz
Power (dBm)



Frequency (MHz)	Gain(dB)		
	Max	Min	Avg
2400	-2.0	-15.5	-3.6
2440	-2.83	-16.1	-3.5
2484	-2.91	-16.7	-3.3